



iGrab™ Complete Professional FOD Retrieval Tool Kit



InterTest, Inc. • 303 Route 94 • Columbia, NJ 07832
Released January 2022





Table of Contents

Contact Information 2

Introduction 3

System Components 4

 Standard Parts List 4

Dimensional Part Sketches 7

Safety 8

 Safety Precautions 8

 Operational, General Safety Considerations and Precautions 8

 Cautionary Symbols and Symbol Terminology 9

 Warnings 9

 Disclaimers 9

Warranty 10

Copyrights and Rights of Portrait 10

Registered Trademark Information 11

Connections 11

Controls 13

 Battery Replacement 13

Table of Figures 14

Care & Maintenance 14

 Overall System 14

Troubleshooting 14

 Returns for Repair or Service 14

 Return Evaluation Procedure 15

NOTES: 16

Contact Information

InterTest, Inc.
303 Route 94
Columbia, NJ 07832 USA
Telephone (USA and Canada): 800-535-3626
Telephone (Outside the USA and Canada): +1 908-496-8008
Fax: +1 908-496-8004
Visit us on the Internet
www.intertest.com

General Information via Email info@intertest.com InterTest © 2020. All rights reserved



Introduction

The iGrab™ Complete Professional FOD Retrieval Tool Kit, made from 300 Series Stainless Steel, provides numerous options for retrieving foreign objects in hard-to-access areas. Any operator or facility equipped with the Complete Professional FOSAR Retrieval Tool kit can immediately respond to a retrieval operation that is causing disruption in a mechanical system or plant operation.

The RT-750 Electro-Mechanical Tool portion of the kit is a heavy-duty motorized, mechanical gripper with a closing force of greater than 20 lbs. at 30 degrees closure. The variety of detachable jaw sets, Sampling Cups, Fork & Tine, Viper, and Pliers are built to grasp almost any object needing retrieval. The tool attaches to the end of interlocking, fiber-glass push poles for operator-friendly movement. Push poles to come in 3/16", 5/16", and 3/8" diameters, and the kit includes 10-units of each, packaged in a canvass-covered tube with a shoulder strap and handle. A spring coupler, flex-pole coupler, and knuckle joint have been included to help push the poles around bends and move the tool into a perpendicular position to the pole. Small J and large U hooks, 0.69- and 1.25-inch magnets, and small & large snares make up the remainder of the Complete Professional FOD Retrieval Tool Kit. With the exception of the push poles, all other components fit neatly into a durable locking hard case for easy storage.



System Components

Standard Parts List

Part #	Description
EM19659	TOOL KIT CASE WITH DIVIDERS
EM19647	IGRAB COUPLING, FLEXIBLE PUSH POLE
EM19657	IGRAB COUPLING, FLEXIBLE SPRING
EM19651	ADJUSTABLE KNUCKLE JOINT
EM19650	IGRAB PUSH POLE, 3/16" DIA x 5' LENGTH
EM14824	IGRAB PUSH POLE, 3/8" DIA x 5' LENGTH
EM10707	IGRAB PUSH POLE, 5/16" DIA x 5' LENGTH
EM10687	T- STYLE HANDLE FOR PUSH POLES
EM17399	IGRAB QUIVER FOR PUSH POLES
EM19649	LARGE DIAMETER PUSH POLE SNARE
EM19648	SMALL DIAMETER PUSH POLE SNARE
EM19654	HOOK, J TYPE
EM19656	HOOK, U TYPE LARGE
EM17108	Large Retrieval Magnet 1.25"
EM17067	Small Retrieval Magnet 0.69"
EM17161	Magnet Storage Case
EM18001	IGRAB RT-750 TOOL HEAD ONLY
EM17789	100' CABLE FOR RT-750/1000
EM13833	iShot RT-750 Control Box Unit
EM10740	SPARE FORK AND TINE JAW SET FOR RT 750
EM10741	SPARE GRIPPINGS PLIER JAW SET FOR RT 750
EM10742	SPARE SAMPLING CUP JAW SET FOR RT 750
EM10743	SPARE VIPER JAW SET FOR RT 750
EM64636	4-40 X 3/16" SOCKET SET SCREW 18-8 SS
EM65023	ALLEN KEY LONG .050"
EM63863	ALLEN KEY SHORT 2mm
EM65030	ALLEN KEY SHORT 3/16"
EM63870	Plastic Box
EM66238	AA BATTERY

Figure 1 Standard Tool Kit Parts List

Standard Tool Kit Image with Part Numbers

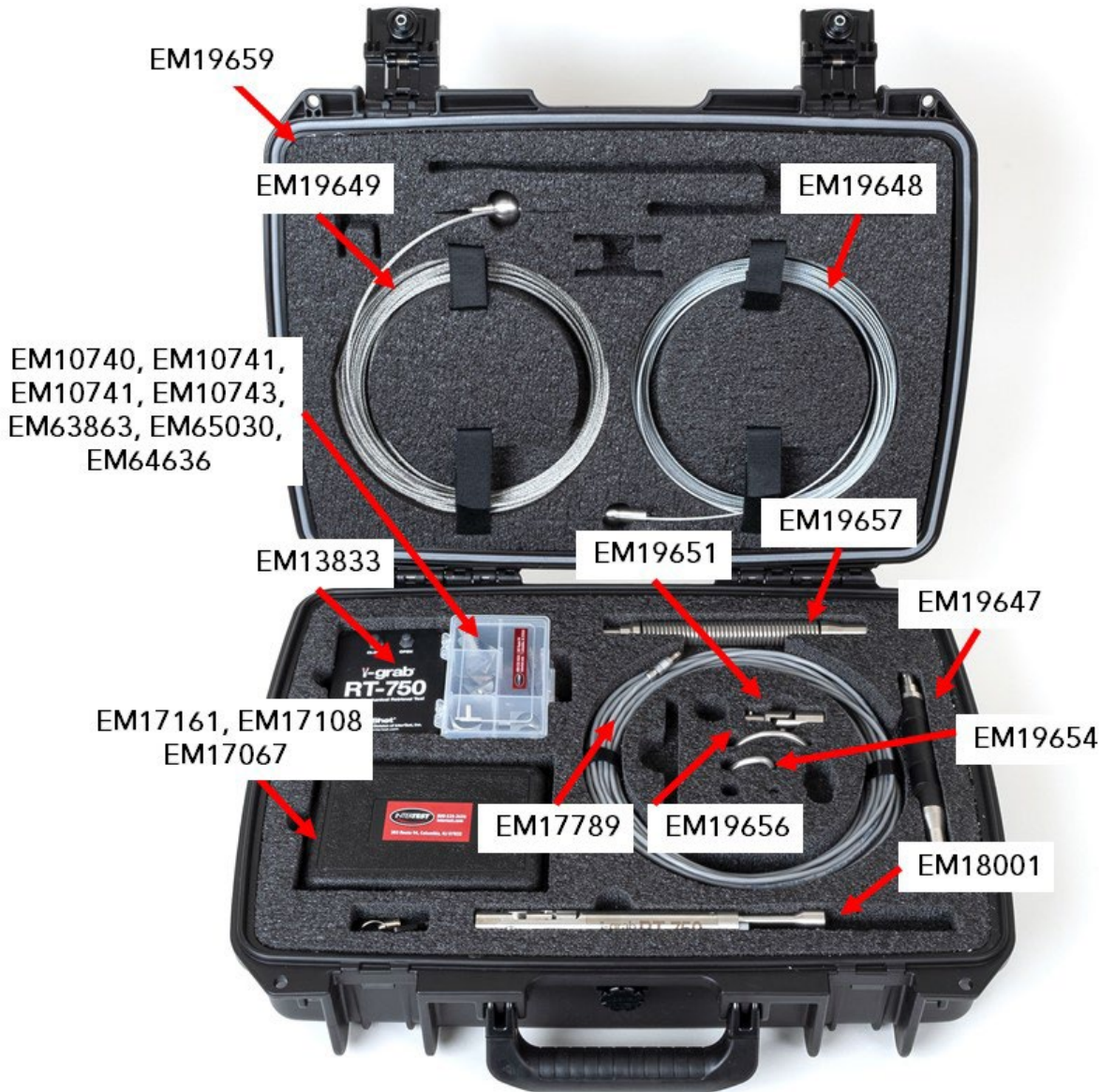


Figure 2 Standard Tool Kit Image (Labeled)

Standard Tool Kit (Individual) Image with Part Numbers

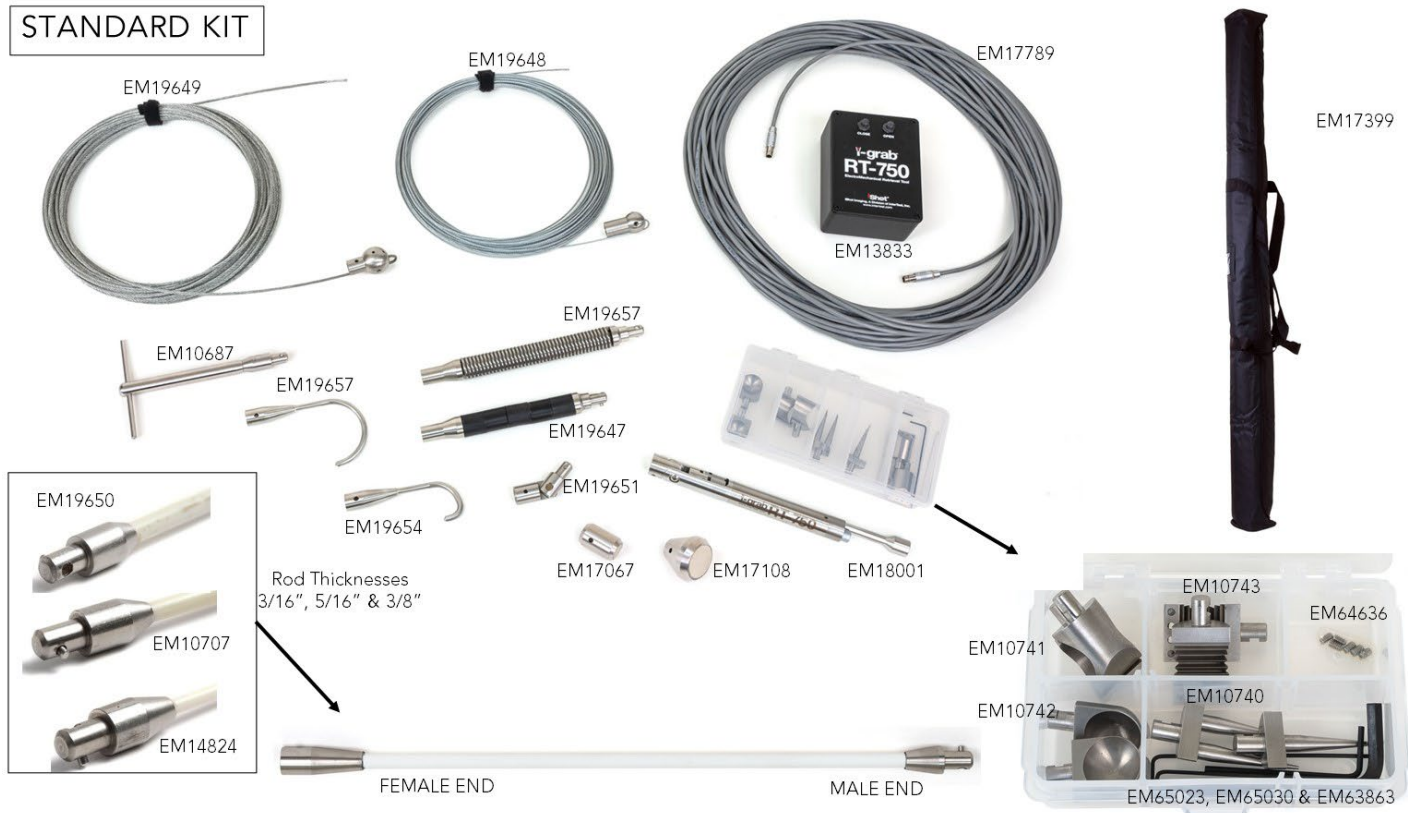


Figure 3 Standard Tool Kit Part Images (Labeled)

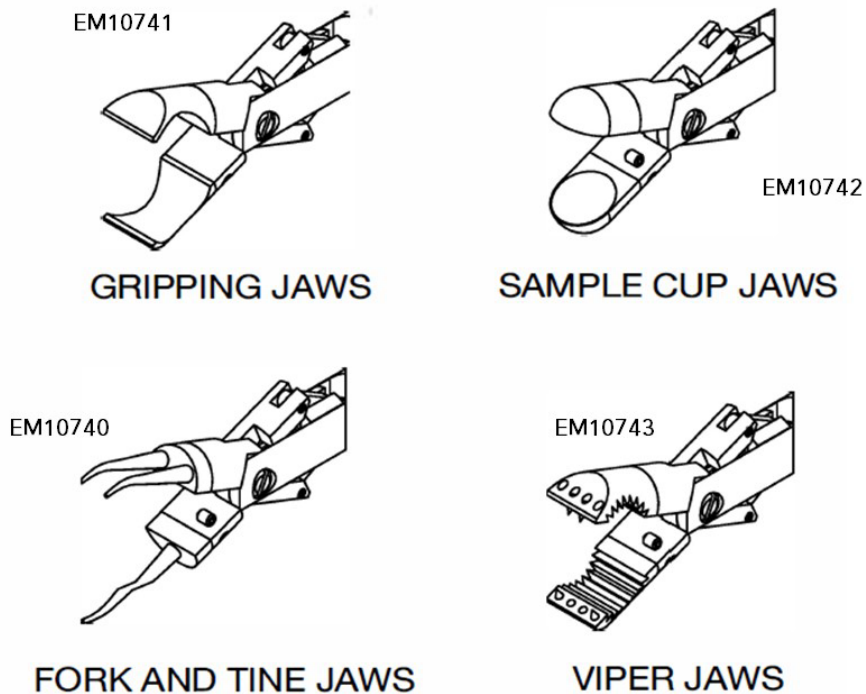


Figure 4 R750 Jaw Sets

Dimensional Part Sketches



Figure 5 Dimensioned Part Sketches

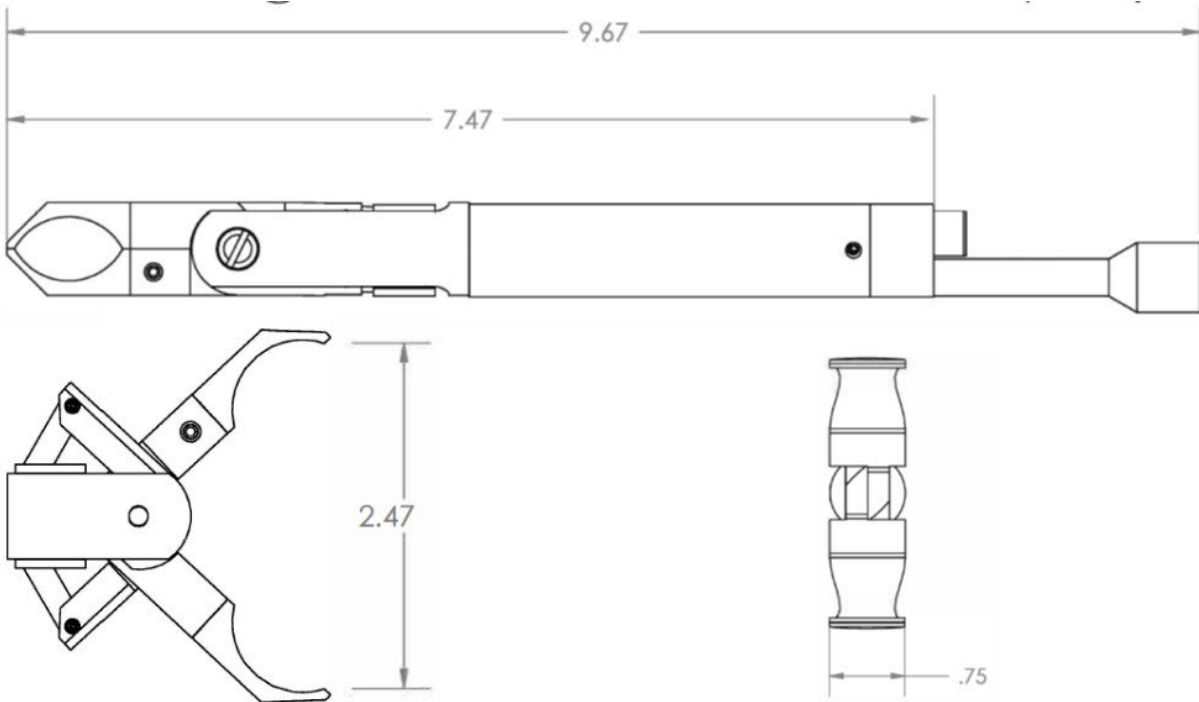


Figure 6 Retrieval Tool Dimensions

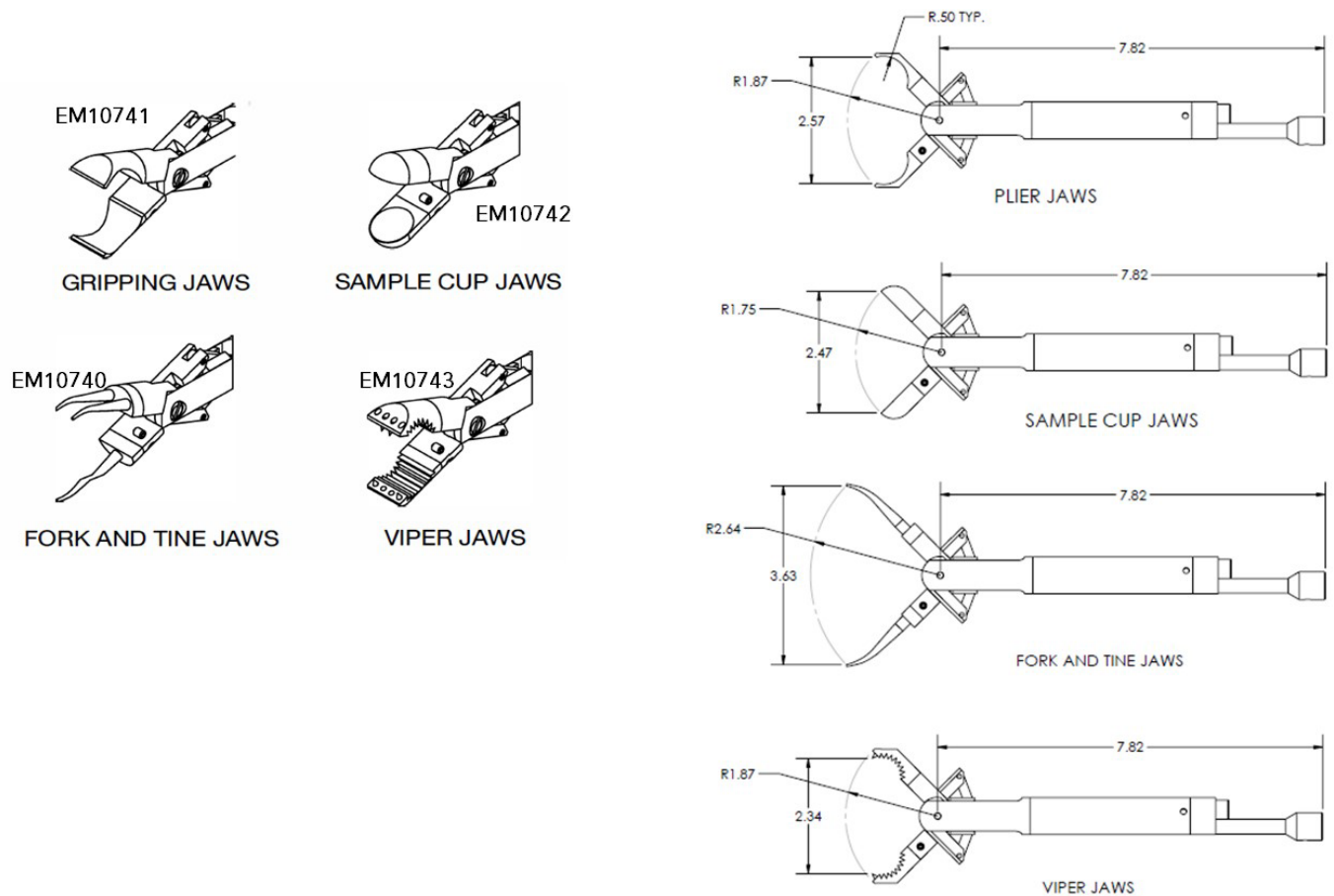


Figure 7 Jaw Dimensions

Safety

Safety Precautions

This manual covers the iGrab™ Complete Professional FOD Retrieval Tool Kit, its functions, and its use. It also covers precautions to be taken to ensure safe operation. Please read this manual thoroughly before operating the equipment. By doing so, you will become familiar with the equipment's capabilities and better understand its functions. Save the manual for future reference.

Follow all warnings and instructions in the manual and marked on the equipment.

Operational, General Safety Considerations and Precautions

Always observe the guidelines and precautions that follow.

There are no user-serviceable parts inside the motorized retrieval tool. Refer all services to the InterTest Customer Service and Support Group.



IMPORTANT: To ensure operator safety, read and understand this manual before using the system.





To avoid injury, read and understand the associated documentation of support components before operation. Direct any questions about equipment operation

to InterTest Customer Service and Support Group at 908-496-8008 or email service@intertest.com.

Cautionary Symbols and Symbol Terminology

Table A describes the various symbols included in this manual and mounted on the equipment. The severity level of a potential hazard varies. Refer to for hazard level descriptions.

Table A — Manual and Equipment Safety Symbols

Symbols	Definitions
	WARNING/CAUTION: Risk of electric shock.
	WARNING/CAUTION: Refer to the instruction manual.
	WARNING/CAUTION: Avoid exposure to water and liquids.
	WARNING/CAUTION: Avoid eye and skin exposure to UVA Light.

Warnings

Stop operation immediately when any abnormality or defect occurs. Use during an abnormal condition, such as emitting smoke, burning odors, after damage from dropping, invasion of foreign objects, etc., may cause fire and electrical shock. Disconnect the power plug from the electrical outlet and contact InterTest Inc.

Only use the specified power supply / Control Unit.
Do not mix battery types—alkaline, NiCad, etc.



Do not use in proximity to energized electrical equipment

Do not connect or disconnect any cable while the unit is energized.

Some surfaces may be warm to the touch. Use caution when handling.

Disclaimers

InterTest Inc. disclaims any responsibility and shall be held harmless for any damages or losses incurred by the user using this product. Including the following:

1. Fire, earthquake, or any other act of God. Actions by third parties; misuse by the user, whether intentional or accidental; use under conditions outside of noted operating range.



2. Malfunction or non-function resulting in indirect, additional, or consequential damage, including but not limited to loss of expected income and suspension of business activities.
3. Use not in compliance with this manual's instructions.
4. Malfunctions resulting from misconnection.
5. Unauthorized repairs or modifications.
6. Notwithstanding the preceding, Intertest's liabilities shall not exceed the product's purchase price.

Warranty

InterTest, Inc. guarantees products manufactured by InterTest, Inc. to be free from defects in materials and workmanship for one (1) year from the original purchase date. All other products not manufactured by InterTest, Inc. will carry the OEM's limited warranty, which will be passed to the purchaser through and supported by InterTest, Inc. InterTest, Inc.'s obligation under this limited warranty shall be confined to the repair or exchange of any part, or parts thereof, that prove defective under regular use and service for which the product was intended or designed.

This limited warranty covers products that are deemed to be defective upon our examination. This limited warranty is in lieu of all other warranties, express or implied, including the warranties of merchantability and fitness for use. We neither assume nor authorize any other person to assume any other liabilities in connection with the sale of InterTest, Inc. equipment. This warranty does not apply to any equipment that has been subject to accident, negligence, alteration, abuse, unauthorized repair, improper storage, or other misuse.

This limited warranty applies only to the original purchaser and cannot be assigned or transferred to any third party without express written consent from InterTest, Inc.

This limited warranty does not apply to consumable items, expendable items, or normal wear and tear, nor does it apply to failure due to radiation, overheating, and/or below-freezing temperatures.

InterTest, Inc. assumes no responsibility, either expressed or implied, regarding the improper usage of this equipment or interpretation of test data derived from the use of this equipment. InterTest, Inc.'s responsibility and obligations, in all cases, are limited strictly to the repair and replacement costs outlined above.

The laws of the State of New Jersey shall govern this warranty.

Note: If the equipment cannot be returned to InterTest, Inc. The customer agrees to pay all travel and living expenses incurred to have an InterTest, Inc. representative evaluate, assess or affect a warranty repair in the field.

Copyrights and Rights of Portrait

There may be a conflict with the Copyright Law and other laws when a customer uses, displays, or exhibits an image picked up by a television camera without permission from the copyright holder. Please also note that the transfer of an image or file covered by copyright is restricted to use within the scope permitted by the Copyright Law.

Registered Trademark Information

InterTest® is a registered trademark of InterTest, Inc.
iShot® is a registered trademark of InterTest, Inc.
iShot® Imaging™ is a trademark of InterTest, Inc.
iGrab® is a registered trademark of InterTest, Inc.



IMPORTANT: If you have a printed or electronic version of this document, be aware that it may not be the current revision. To ensure that you are using the most up-to-date revision of this document, contact the InterTest Customer Service and Support Group or reference the downloads portal under this product on www.intertest.com.

Connections



Figure 8 Cable Connections



Figure 9 Tool Connections & Adjustments

Controls



Figure 10 RT750 Control Buttons

Battery Replacement



Figure 11 Battery Replacement



Table of Figures

Figure 1 Standard Tool Kit Parts List	4
Figure 2 Standard Tool Kit Image (Labeled)	5
Figure 3 Standard Tool Kit Part Images (Labeled)	6
Figure 4 R750 Jaw Sets.....	6
Figure 5 Dimensioned Part Sketches	7
Figure 6 Retrieval Tool Dimensions	7
Figure 7 Jaw Dimensions.....	8
Figure 8 Cable Connections	11
Figure 9 Tool Connections & Adjustments.....	12
Figure 10 RT750 Control Buttons	13
Figure 11 Battery Replacement	13

Care & Maintenance

Overall System

- Do not operate near intense electromagnetic fields.
- Do not mix battery types, Alkaline, NiCad, etc.

Troubleshooting

- Ensure cable connection is tight and secure.
- Replace 8 AA batteries if jaw strength wanes or the motor stops running.
- Verify electrical continuity in the cable if the jaw is not opening/closing.
- Check the lead screw for foreign matter if the jaw is stuck in an open position.

Returns for Repair or Service

If the product needs repair, send it to the Service Department at the main office in Columbia, NJ. An RMA (Return Material Authorization Number) must be issued before the unit is returned. **Call InterTest, Inc. at (908) 294-8008 to obtain an RMA Number** from customer service. Shipments returned without an RMA will have an administrative fee applied to the transaction.

Provide the product number, serial number, and a brief description of the problem or damage when obtaining an RMA number



Return Evaluation Procedure

Once InterTest, Inc. receives a return, it will be evaluated. The fee for any repair evaluation not sent in under warranty is \$55 (USD credited against the repair cost). This cost is in addition to any other charges required. Before any repairs are completed, a repair evaluation will be issued and payment arranged. Payment via credit card is preferred and will expedite the repair process.

Once payment is arranged, the authorization to repair the product is given. Completed repairs will ship back to the customer using the pre-arranged shipping methods.

For Service:

InterTest, Inc.

303 State Route 94

Columbia, NJ 07832

1-800-535-3626

+1 908 496 8008

<http://www.intertest.com>

