

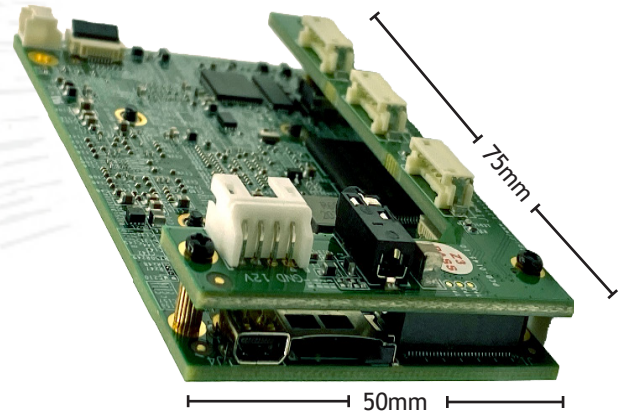


Lightweight Dual Camera 4K Encoder

FV4K-15A

- Dual Camera H.265/H.264 Video Encoding, Streaming, and Recording
- Interfaces with HDMI, LVDS, and Composite Cameras
- High Quality Low Latency Encoding
- Pass Camera Control Commands over IP

The FV4K-15A is designed for dual camera unmanned systems, or inspection applications. The encoder supports both H.265 and H.264 encoding for visible and thermal cameras. Simultaneously stream and record video to either a Network File System, USB or Micro SD card. Controls are accessed through the web user interface, Serial/SSH, the API or ONVIF. Additional processing is supported within the system to allow for overlays on the video or data to be sent in the stream.



Technical

Interfaces

•Visible Camera Formats	Sony FCB-ER8530, FCB-EW9500H and Micro HDMI
•HD and SD IR Formats	RS170, NTSC/PAL and LVDS
•Recording	To either Micro SD or NFS
•Additional Interfaces	100 Mbps Ethernet, RS-232, Micro-HDMI Passthrough, Composite Output, LVTTTL UART x 2 , GPIO x 2, Micro-SD card
Video Codecs	H.265 & H.264
Encoding Resolutions	4Kp30, 1080p (up to 60fps), 720p, NTSC/PAL, VGA, CIF and QVGA
Output Formats	RTP, RTSP, MPEG-2 TS and RTMP

Features

- Easy-to-Use HTTP/HTTPS web GUI with live video preview
- Send VISCA and IR Camera Controls over IP with Web Gui or Serial Camera Controls
- Simultaneous Streaming and Recording to NFS or Micro-SD Card
- ONVIF® Profile S and T
- Embedded KLV Metadata Support Via Serial, MISB 0601 Compliant
- High Precision Timestamps Across Multiple Streams, MISB 0604 Compliant
- Multiline text Overlay via the Web Gui or the API
- Logo or Image overlay via the API
- NMEA GPS Overlay
- Region of Interest: Configurable Field of View

Specifications

Encoder Board Size	75 x 50 x 33 mm (2.95 x 1.97 x 1.30 in)
Encoder Board Weight	32g (Heat pipe is additional 10g)
Power Consumption	4.5W
Power Supply	12V Power



ORDERING OPTIONS

FV4K-15A OEM Production Set

- FV4K-15A Encoder Boards

*Note: Camera blocks and cables sold separately**

FV4K-15A-RPS OEM Starter Kit

- FV4K-15A Encoder Boards
- Power Supply
- Software SDK
- Documentation
- Serial Cable
- (2) KEL Cables
- CBL-0047-01
- CBL-0048-01

*Note: Camera block sold separately**

APPLICATIONS

Unmanned Systems
Inspection
Industrial
Customized Applications*



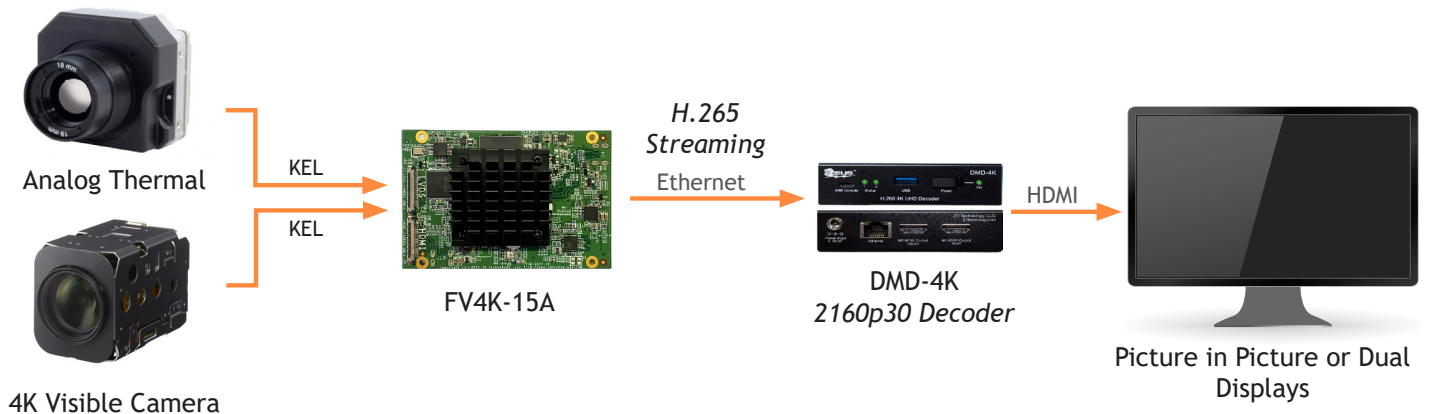
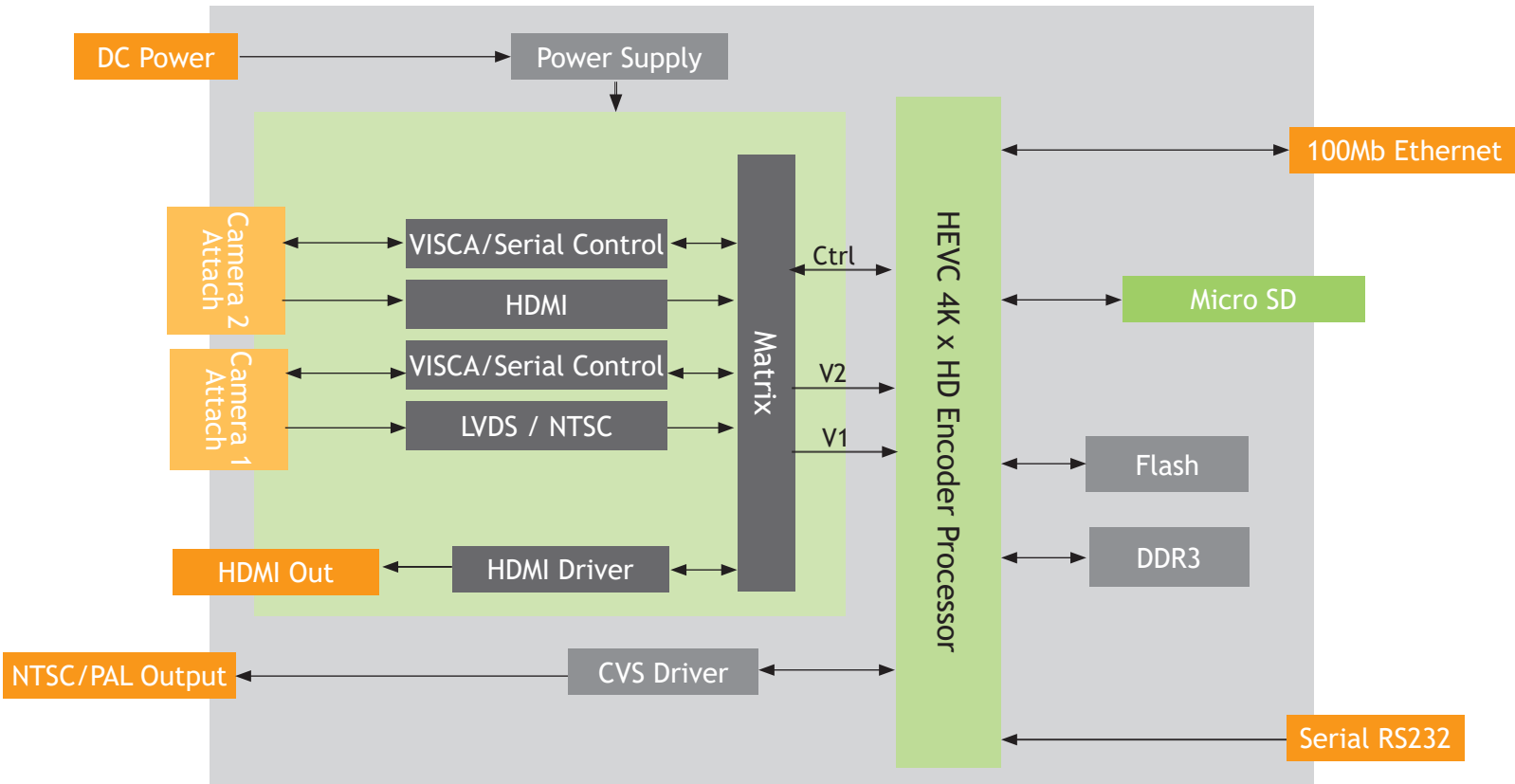
***Contact Z3 Technology for Customized Product Options**

sales@Z3technology.com

+1.402.323.0702

www.Z3technology.com

FV4K-15A Encoder (H.265 4K x HD)



***Contact Z³ Technology for Customized Product Options**
sales@Z3technology.com +1.402.323.0702 www.Z3technology.com



Z³ Technology is an industry-leading, USA-based manufacturer of production-ready embedded multimedia solutions and IP camera systems. From our founders to our world-class engineers to our sales and customer service team, we understand your requirements and speak your language. Our experience allows us to provide cost-effective solutions to meet your multimedia product requirements. With the assistance of our robust worldwide distribution and sales networks, we can provide a simple solution for your multimedia needs.