

MIPI / CVBS

ATC- UZ5707U-M

4K UHD 8.95MP High Resolution
 7x Global Shutter Zoom Camera



features

- 1/1" Progressive Scan Global Shutter CMOS
- 84x AF Zoom (7x optical zoom, 12x digital zoom)
- 4K UHD (3840 x 2160 / 30fps)
- Mechanical Day&Night
- True WDR
- 3D DNR, Defog
- UART RS232-TTL (Pelco-D, Pelco C, VISCA, Hitachi)
- P-IRIS
- Mipi CSI-2 (4 Lanes)
- 2160p@30fps, 1080p@60/30fps, 720p@60/30fps

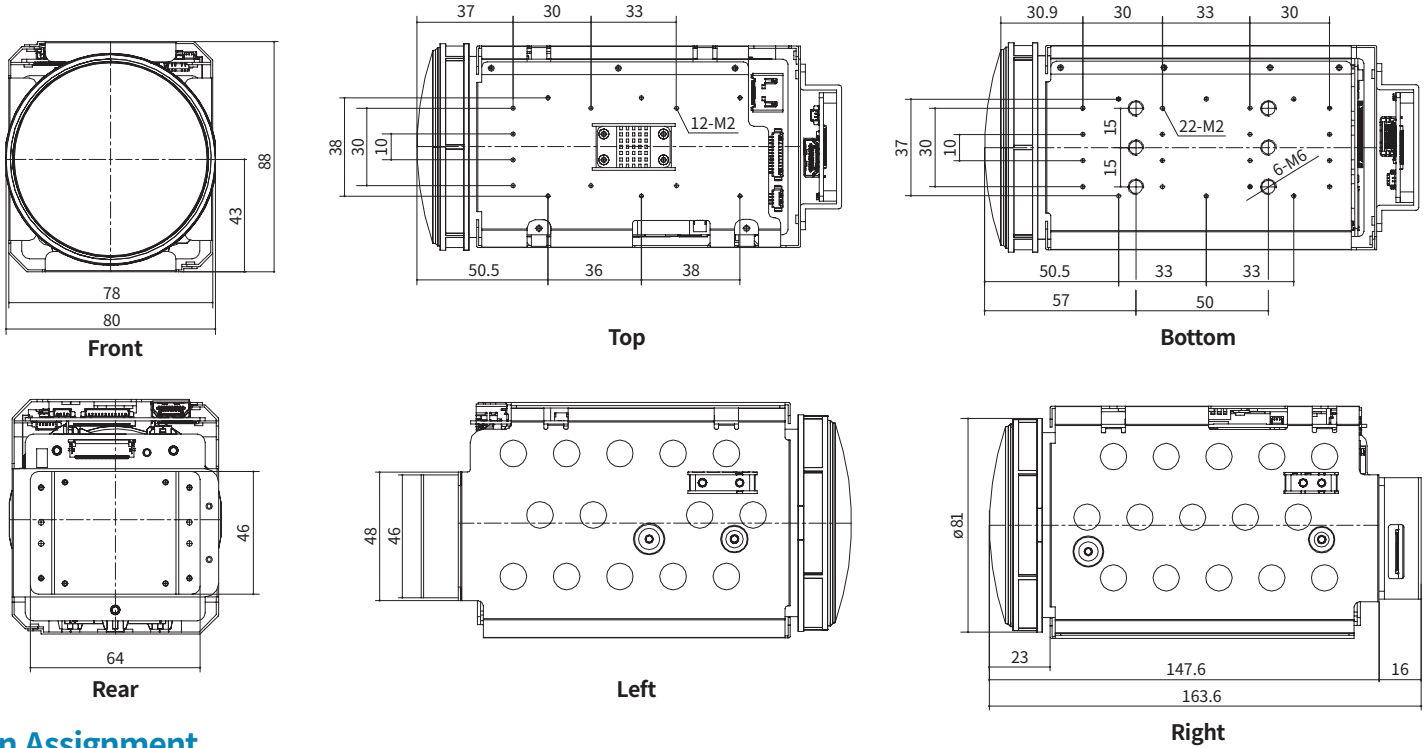
1/1"	30fps UHD	7xAF
CMOS	2160p	ZOOM
DNR	MOTION	External sync
		Global Shutter

Specifications

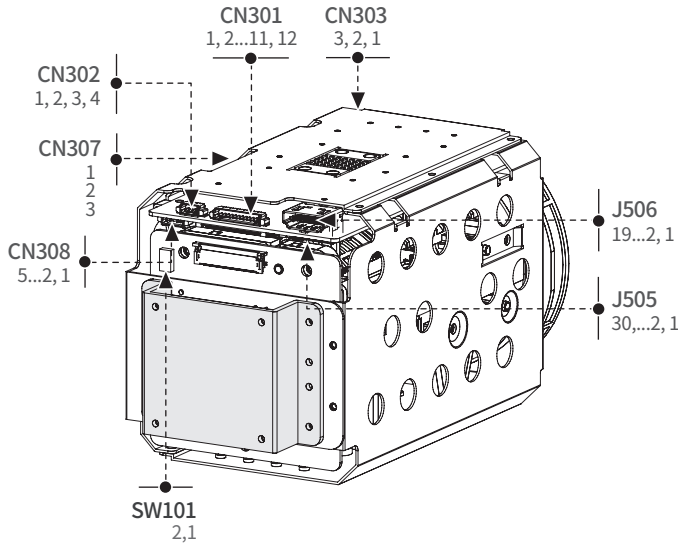
Image Sensor	1/1" Progressive Scan Global Shutter CMOS
Effective Pixels	8.95MP 4112(H) x 2176(V)
Video Output Mode	Common Mipi CSI-2 (4 Lanes) / CVBS
Max. Video Resolution	2160p@30fps, 1080p@60/30fps, 720p@60/30fps
Synchronization system	Internal
Min. Illumination	Day mode: 0.1Lux(F1.6) Night mode: 0.06Lux(F1.6/ IR-cut filter on) Sens-Up off, AGC28dB
S/N Rate	More than 52dB(AGC off, Sens-Up off)
Lens	Type AF Optical zoom lens(P-Iris) Focal Length f=12mm~84mm F-value F1.5(W)~2.6(T) Angle of View Horizontal 61.19°(W)~9.66°(T), Vertical 34.75°(W)~5.12°(T)
Zoom ratio	Optical 7x / Digital 12x
Focus Min. Working Distance	0.5m(Wide)/2.5m(Tele)~∞
Focus Control	Auto/Manual/Interval/One Push/Preset
AE Mode	Auto/Shutter Priority/Iris Priority/Manual
Brightness	0~14
Manual Shutter	1/1, 1/2, 1/4(3), 1/8(6), 1/15(12), 1/30(25), 1/60(50)~1/10000
Manual Iris	F1.5~F32, Close
Sense-up	Off~32fields
ETC	Spot AE, Slow AE
D&N Mode	Auto/Day(Color)/Night(BW)/External-H or L
White Balance	AUTO/ATW/Indoor/Outdoor/One Push/Manual
Image Freeze	On/Off
Image Flip	Off/Horizontal/Vertical/H+V(180° Flip)
Privacy Mask Zone	16 Zones/14 mask color selectable, semi-transparency

Digital Image Stabilization	Yes
Motion Detection	4 Zones
D-WDR	Off/Low/Middle/High
WDR	Off/Low/Middle/High
BLC	Off/On, Area selectable
HLC	Off/0~20, Color selectable
AGC	Max.48dB
Sharpness	Adjustable(0~15)
3D-DNR	On/Off(1~5)
2D-DNR	Auto/Manual
Defog	Off/Low/Middle/High
Preset	256 position Presets(Zoom,Focus), 16Memory Presets, Custom Preset
Language	English
UART	Remote RS232 TTL +5.0V(+3.3V compatible) Protocol VISCA/Pelco-D/Pelco-P/ Hitachi: Automatic detection Baud rate 2400/4800/9600/19200/38400/57600/115200bps
Supply Voltage	12VDC
Power Consumption	Max.11W / Non-working zoom&focus 9.0W
Dimension(mm)	80x88x163.6mm
Weight	Approx.920g
Operating Temperature	-10°C~+50°C, Humidity(Less than 90%)
Storage Temperature	-20°C~+60°C, Humidity(Less than 90%)
Remark	

Dimension



Pin Assignment



SW101 is fixed the sensor slave
(Switch 1: OFF, Switch 2: ON)
It cannot be operated when
using the other settings.

Pin no.	CN301(External I/O) / Molex : 53261-1271
1	Vsync_OUT
2	Hsync_OUT
3	VCLK_OUT
4	GND
5	Vsync_IN(1.8V)
6	Hsync_IN(1.8V)
7	VCLK_IN(1.8V)
8	GND
9	Trigger_Common
10	Trigger_IN
11	Strobe_Common
12	Strobe_OUT

Pin no.	CN303(External D&N) / JST: SM03B-SRSS-TB
1	Ext_D&N : External D&N Input
2	GND
3	+3.3V Out(For sensor)

Pin no.	CN307(RS-232 TTL) / JST: SM03B-SRSS-TB
1	GND
2	RXD : CMOS 3.3V Read Data
3	TXD : CMOS 3.3V Send Data

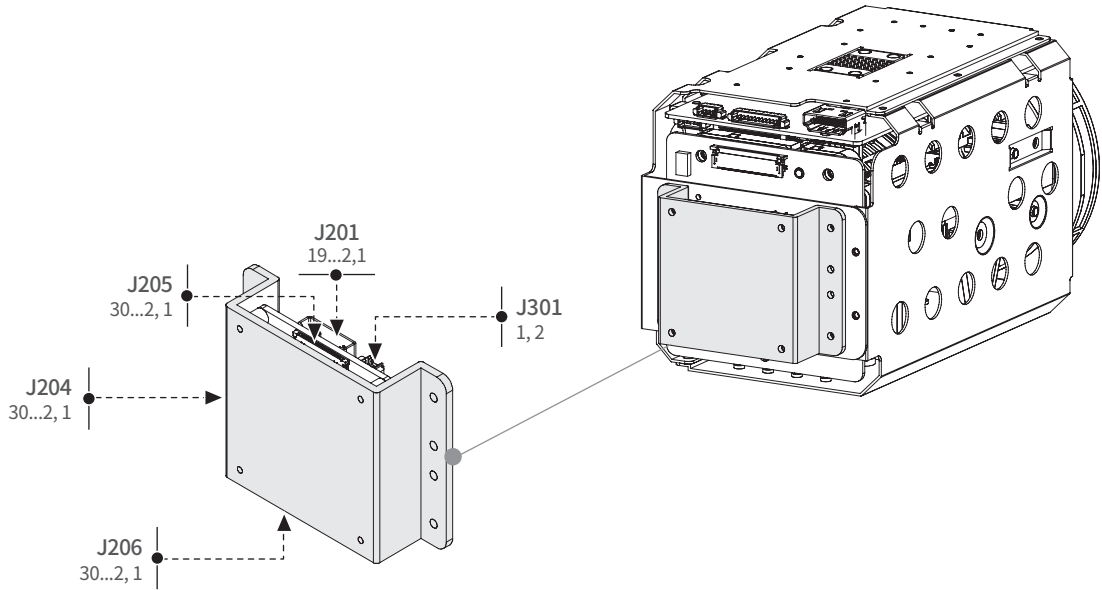
Pin no.	CN302(CVBS) / Molex : 53261-0471
1	POWER IN : +12VDC
2	GND
3	VIDEO : CVBS Output
4	AD_KEY

Pin no.	CN308(IR-LED I/O) / Molex : 53261-0571
1	POWER IN : +12VDC
2	GND
3	LED On/Off
4	+3.3V Out(For sensor)
5	CDS Input

Pin no.	J506(HDMI-TX) / 51U019S-30S1N-AR
1	TMDS2+
2	GND
3	TMDS2-
4	TMDS1+
5	GND
6	TMDS1-
7	TMDS0+
8	GND
9	TMDS0-
10	TMDSC+
11	GND
12	TMDSC-
13	CEC
14	NC
15	DDC_SCL
16	DDC_SDA
17	GND
18	+5VDC
19	HPD

Pin no.	J505(Micro Co-Axial) / KEL Co.USL00-30L-A (Input)
1	POWER IN : +12VDC
2	POWER IN : +12VDC
3	GND
4	GND
5	I2C_SCL(3.3V)/NC
6	I2C_SDA(3.3V)/NC
7	GND
8	Uart_TXD(5V)
9	Uart_RXD(5V)
10	GND
11	GND
12	1_HDMI(TMDS_D2+)
13	2_HDMI(GND)
14	3_HDMI(TMDS_D2-)
15	4_HDMI(TMDS_D1+)
16	5_HDMI(GND)
17	6_HDMI(TMDS_D1-)
18	7_HDMI(TMDS_D0+)
19	8_HDMI(GND)
20	9_HDMI(TMDS_D0-)
21	10_HDMI(TMDS_CLK+)
22	11_HDMI(GND)
23	12_HDMI(TMDS_CLK-)
24	13_HDMI(CEC)
25	14_HDMI(NC)
26	15_HDMI(DDC_SCL)
27	16_HDMI(DDC_SDA)
28	17_HDMI(DDC_GND)
29	18_HDMI(VCC_5V)
30	19_HDMI(HPD)

Pin Assignment



Pin no.	J301(External Power) / Molex: 53261-1271
1	POWER IN : +12VDC
2	GND

Pin no.	J201(HDMI)/ 51U019S-30SIN-AR(Input)
1	TMDS2+
2	GND
3	TMDS2-
4	TMDS1+
5	GND
6	TMDS1-
7	TMDS0+
8	GND
9	TMDS0-
10	TMDS+
11	GND
12	TMDS-
13	CEC
14	NC
15	DDC_SCL
16	DDC_SDA
17	GND
18	+5VDC
19	HPD

Pin no.	J204(Micro Co-Axial) / KEL Co.USL00-30L-A (Output 1)
1	POWER IN: +12VDC
2	POWER IN: +12VDC
3	GND
4	GND
5	NC(GPIO)
6	GND
7	MIPI_D0_P(Port-1)
8	MIPI_D0_N(Port-1)
9	GND
10	MIPI_D1_P(Port-1)
11	MIPI_D1_N(Port-1)
12	GND
13	MIPI_CLK_P(Port-1)
14	MIPI_CLK_N(Port-1)
15	GND
16	MIPI_D2_P(Port-1)
17	MIPI_D2_N(Port-1)
18	GND
19	MIPI_D3_P(Port-1)
20	MIPI_D3_N(Port-1)
21	GND
22	I2C_SCL(3.3V)
23	I2C_SDA(3.3V)
24	GND
25	Uart_TX(3.3V)
26	Uart_RX(3.3V)
27	CAM_Reset(GPIO)
28	GND
29	NC(GPIO)
30	NC(GPIO)

Pin no.	J205(Micro Co-Axial)/ KEL Co. USL00-30L-A (Input)
1	POWER IN: +12VDC
2	POWER IN: +12VDC
3	GND
4	GND
5	I2C_SCL(3.3V)/NC
6	I2C_SDA(3.3V)/NC
7	GND
8	Uart_TXD(5V)
9	Uart_RXD(5V)
10	GND
11	GND
12	1_HDMI(TMDS_D2+)
13	2_HDMI(GND)
14	3_HDMI(TMDS_D2-)
15	4_HDMI(TMDS_D1+)
16	5_HDMI(GND)
17	6_HDMI(TMDS_D1-)
18	7_HDMI(TMDS_D0+)
19	8_HDMI(GND)
20	9_HDMI(TMDS_D0-)
21	10_HDMI(TMDS_CLK+)
22	11_HDMI(GND)
23	12_HDMI(TMDS_CLK-)
24	13_HDMI(CEC)
25	14_HDMI(NC)
26	15_HDMI(DDC_SCL)
27	16_HDMI(DDC_SDA)
28	17_HDMI(DDC_GND)
29	18_HDMI(VCC_5V)
30	19_HDMI(HPD)

Pin no.	J206(Micro Co-Axial) / KEL Co.USL00-30L-A (Output 2)
1	POWER IN: +12VDC
2	POWER IN: +12VDC
3	GND
4	GND
5	NC(GPIO)
6	GND
7	MIPI_D0_P(Port-2)
8	MIPI_D0_N(Port-2)
9	GND
10	MIPI_D1_P(Port-2)
11	MIPI_D1_N(Port-2)
12	GND
13	MIPI_CLK_P(Port-2)
14	MIPI_CLK_N(Port-2)
15	GND
16	MIPI_D2_P(Port-2)
17	MIPI_D2_N(Port-2)
18	GND
19	MIPI_D3_P(Port-2)
20	MIPI_D3_N(Port-2)
21	GND
22	I2C_SCL(3.3V)
23	I2C_SDA(3.3V)
24	GND
25	Uart_TX(3.3V)
26	Uart_RX(3.3V)
27	CAM_Reset(GPIO)
28	GND
29	NC(GPIO)
30	NC(GPIO)