

HD-SDI / EX-SDI(V1.0/ V2.0/ V2.1/ V3.0(TBD)) / CVBS / LVDS

ATC-HZ8305J-L

FHD 2.3MP High Resolution
 5x Global Shutter Zoom Camera



Features

- 1/2.6" Progressive Scan Global Shutter CMOS
- 60x AF Zoom (5x optical zoom, 12x digital zoom)
- 1080p 60/50/30/25fps
 720p 60/50/30/25fps, 1080i 60/50fps
- True WDR
- 2D/3D DNR, Defog, DIS
- UART RS232-TTL (Pelco-D, Pelco-P, VISCA)

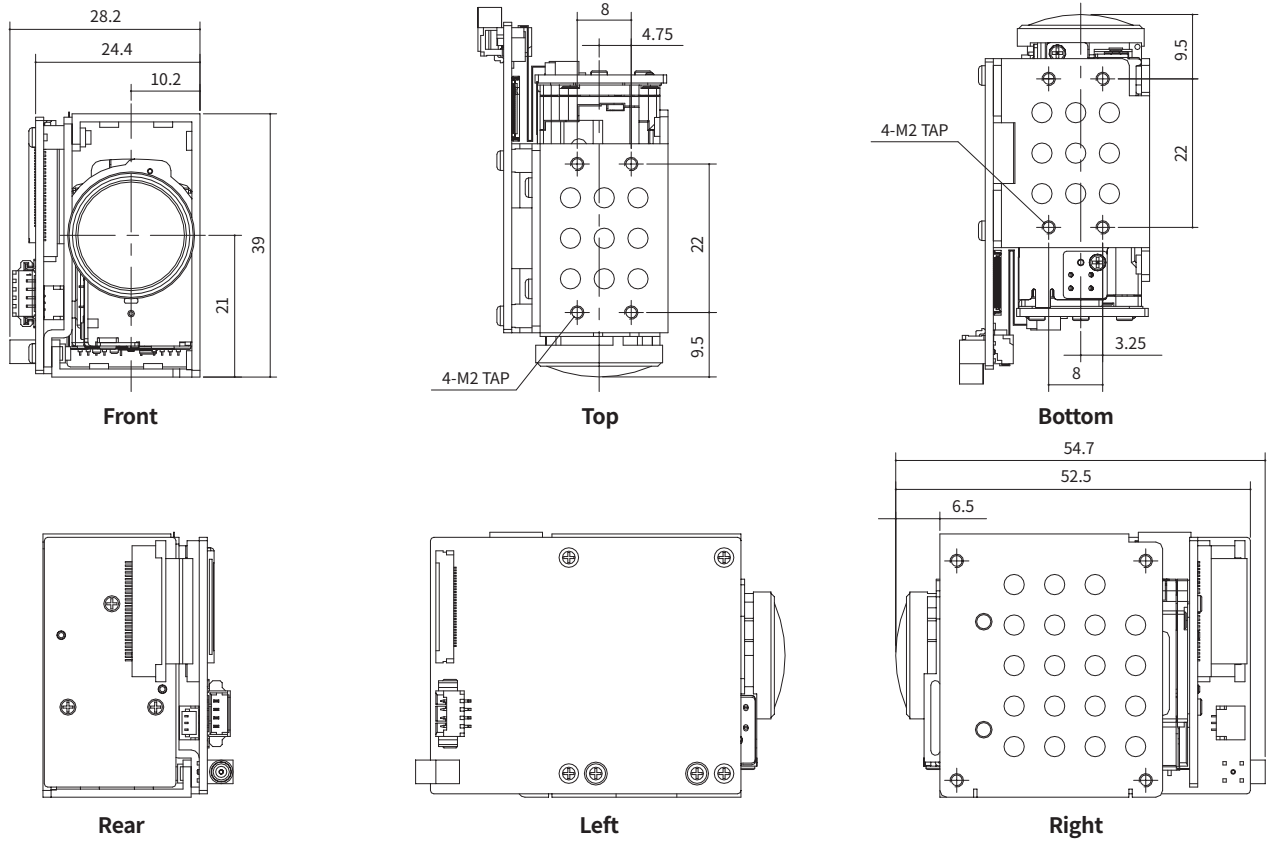
1/2.6" CMOS	60/50fps FHD 1080p	5x AF ZOOM
DNR	MOTION	Global Shutter

Specifications

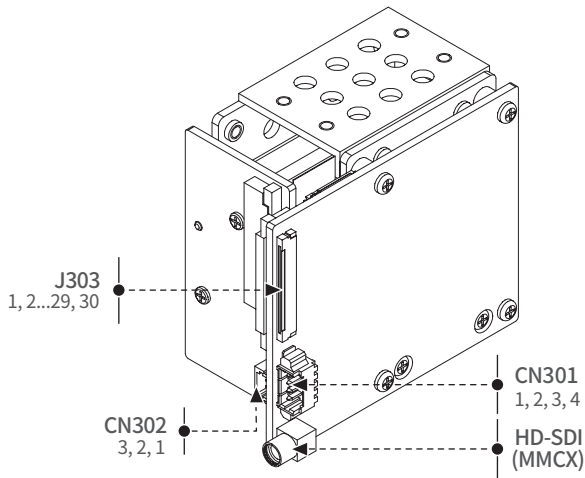
Image Sensor	1/2.6" Progressive Scan Global Shutter CMOS
Effective Pixels	2.3MP 1920(H) x 1200(V)
Video Output Mode	Common HD-SDI/ EX-SDI(V1.0/ V2.0/ V2.1/ V3.0(TBD))/ CVBS
	AVI/TVI/LVDS LVDS
Max. Video Resolution	HD-SDI/LVDS/EX-SDI:1080p@60(50fps)
Synchronization system	Internal
Min.Illumination	Day mode: 1.1Lux(F3.2) Sens-Up off, AGC36dB
S/N Rate	More than 52dB(AGC off, Sens-Up off)
Lens	Type AF Optical zoom lens(DC Iris)
	Focal Length f=5mm~25mm
	F-value F3.2(W)~3.7(T)
	Angle of View Horizontal 52.3°(W)~10.9°(T), Vertical 33.3°(W)~6.9°(T)
Zoom ratio	Optical 5x / Digital 12x
Focus Min.Working Distance	0.01m(Wide)/1.0m(Tele)~∞
Focus Control	Auto/Interval/One Shot/Manual/Preset
AE Mode	Auto/Shutter Priority/Manual
Brightness	1~20
Manual Shutter	1/1, 1/2, 1/4(3), 1/8(6), 1/15(12), 1/30(25), 1/60(50)~1/30000
Manual Iris	-
Sense-up	Off~32fields
ETC	Slow AE
D&N Mode	Color(Day)
White Balance	AUTO/Indoor/Outdoor/One push/ATW/Manual
Image Freeze	Off/On
Image Flip	Off/Horizontal/Vertical/H+V(180° Flip)
Privacy Mask Zone	8 Zones/14 mask color selectable

Digital Image Stabilization	Yes
Motion Detection	4 Zones
D-WDR	Off/Low/Middle/High
WDR	Off/On, Adjustable(Level: Low/Middle/High)
BLC	Off/0~10, Area selectable
HLC	Off/0~20, Color selectable
AGC	Max.36dB
Sharpness	Adjustable(0~15)
3D-DNR	OFF/Auto(Level:0~2)/ Manual(Gain:0~255/THLD:0~255/FK:0~255)
2D-DNR	OFF/Auto(Level:0~2)/ Manual(Gain:0~255/THLD:0~255)
Defog	Off/Auto(Low/Middle/High)/Manual
Preset Position	192 position Presets(Zoom, Focus), 16Memory Presets, Custom Preset
Language	English, Russian, Spanish, German, French, Portuguese, Chinese, Japanese
UART	Remote RS232 TTL +5.0V(+3.3V compatible)
	Protocol VISCA/Pelco-D/Pelco-P:Automatic detection
	Baud rate 2400/4800/9600/19200/38400/57600/115200bps
Supply Voltage	12VDC(9V to 15VDC)
Power Consumption	Max.2.7W / Non-working zoom&focus 2.4W
Dimension(mm)	28.2x39x54.7mm
Weight	Approx.41g
Operating Temperature	-10°C~+50°C, Humidity(Less than 90%)
Storage Temperature	-20°C~+60°C, Humidity(Less than 90%)
Remark	

Dimension



Pin Assignment



Pin no.	CN301(CVBS) / Molex: 53261-0471
1	POWER IN: +12VDC
2	GND
3	VIDEO: CVBS Output
4	AD_KEY

Pin no.	CN302(RS-232 TTL) / JST: SM03B-SRSS-TB
1	GND
2	RxD: CMOS 3.3V Read Data
3	TxD: CMOS 3.3V Send Data

Jack	SDI Output connector / MMCX Jack Connector

Pin no.	J303(Micro Co-Axial) / KEL Co.USL00-30L-C
1	TX_OUT3+
2	TX_OUT3-
3	TX_CLKOUT+
4	TX_CLKOUT-
5	TX_OUT2+
6	TX_OUT2-
7	TX_OUT1+
8	TX_OUT1-
9	TX_OUT0+
10	TX_OUT0-
11	GND
12	TXD: CMOS 5.0V Send Data (Compatible 3.3V)
13	RXD: CMOS 5.0V Read Data (Compatible 3.3V)
14	+12VDC
15	+12VDC
16	+12VDC
17	+12VDC
18	+12VDC
19	GND
20	GND
21	TX_OUT7+ : Single out mode (open)
22	TX_OUT7- : Single out mode (open)
23	TX_OUT6+ : Single out mode (open)
24	TX_OUT6- : Single out mode (open)
25	CVBS Output
26	RESET_IN : Reset - Low(GND), Normal(1.8V)
27	TX_OUT5+ : Single out mode (open)
28	TX_OUT5- : Single out mode (open)
29	TX_OUT4+ : Single out mode (open)
30	TX_OUT4- : Single out mode (open)