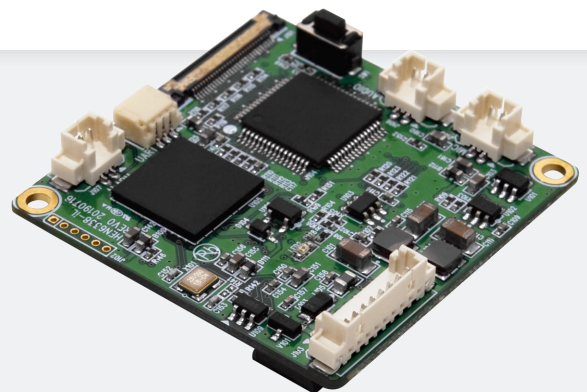


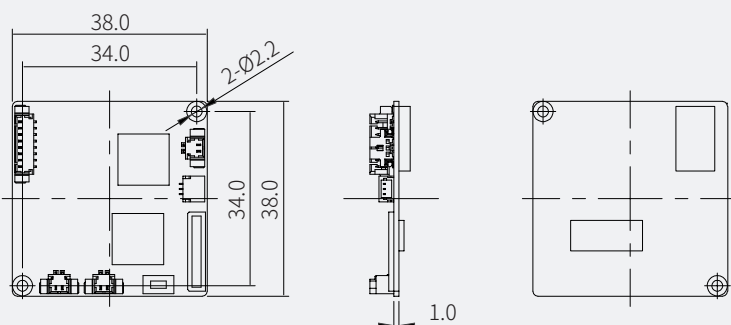
IP ENCODER MODULE

ACE-HEN6338-iL

- Low Voltage LVDS Input
- 1080p(1920x1080)@30(25)fps
- H.264 Main/Baseline Profiles
- 12VDC / PoE



Dimensions



IP ENCODER MODULE

ACE-HEN6338-iL

Specifications

Video Output	Network	
Motion Detection	60x34 Motion Block, upto 4 Zones	
Privacy Masking Zone	16 Zones	
	Alarm In/Out	1Ch Out
Alarm	Alarm riggers	Motion
	Alarm Events	Network
Ethernet	10/100 Base-T Ethernet	
Video Compression Format	H.264 Baseline, Main Profile, MJPEG	
Video Resolution	1920x1080, 1280x720,, 800x600, 704x480, 704x400, 640x480, 640x360, 320x240	
Max. Frame Rate	First : 1080p 30(25)fps (H.264) Second : 640x360 30(25)fps (H.264) Third : 1080p 30(25)fps (MJPEG)	
Streaming Capability	Multiple Streaming(Up to 3 Profiles)	
Streaming Method	Unicast	
Bitrate Control	H.264 : CBR, VBR, CVBR	
Max.User Access	5	
Audio	Audio in/Out	Mic In (Conn.), Additional Audio In/Out (selectable)
	Compression Format	G.711
IP	IPv4	
Protocol	HTTP, HTTPS, UPnP, DNS, DDNS, RTP/RTSP, TCP/IP, UDP, DHCP, RARP, NTP, Visca over IP (HTTP)	
Security	-	
Web Viewer	Web browser	Internet Explorer, Edge, Safari, Firefox, Chrome
	Language	English
External Storage	-	
SW Integration API	Onvif, KT&C API	
Ingress Protection Grade	-	
Dimension(mm)	38X38mm	
Weight	Approx.7.65g	
Operating Temperature	-10°C~+50°C	
Storage Temperature	-20°C~+60°C	
Supply Voltage	12VDC(±10%)	
Power Consumption	N/A (under 170mA estimated)	