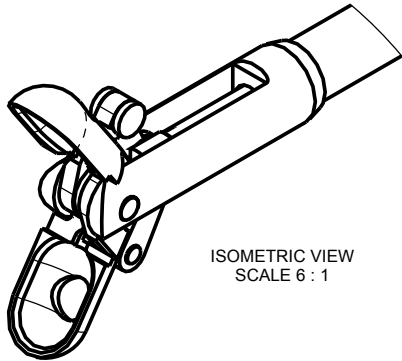
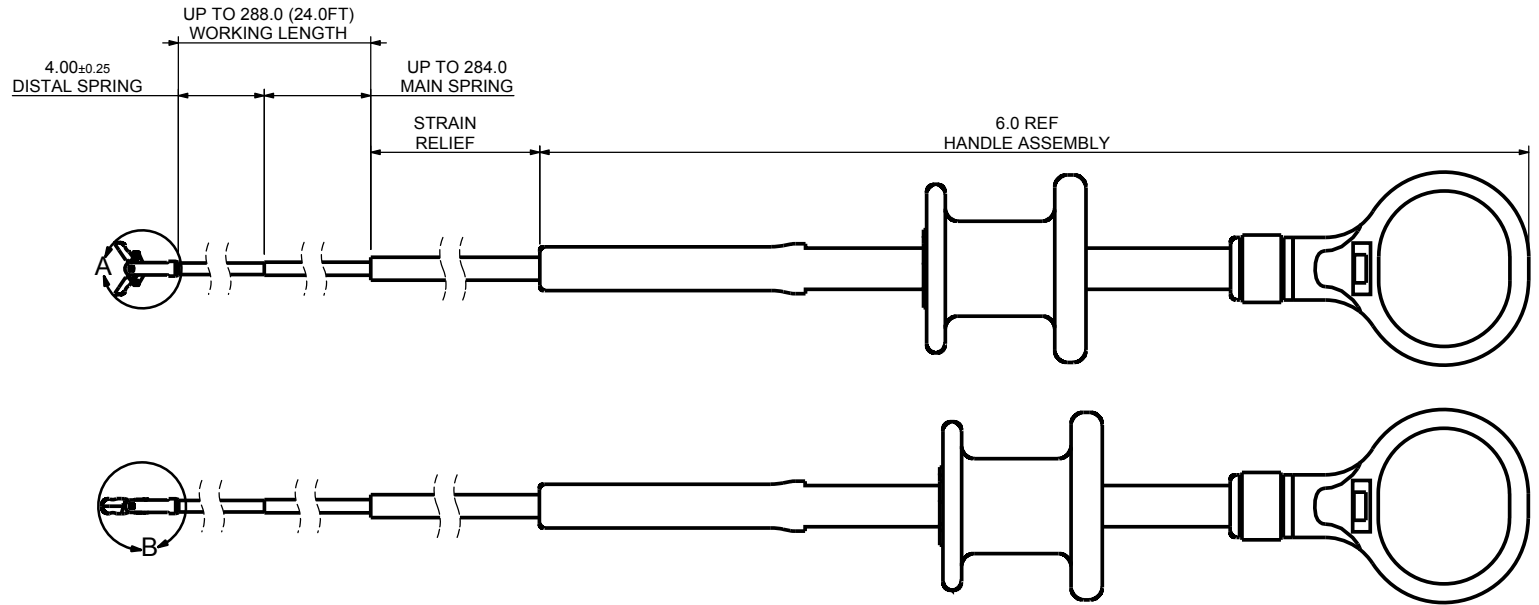
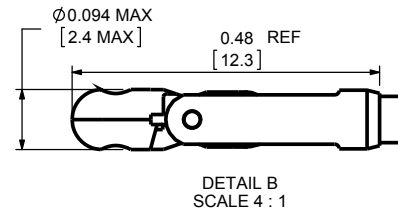
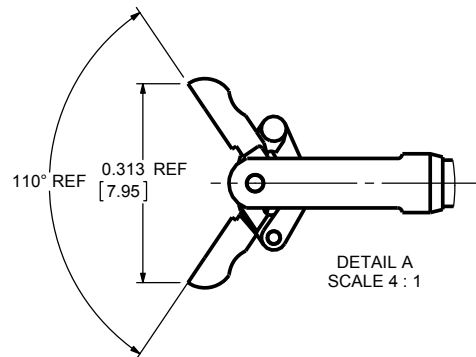




# 2.4mm OD SAMPLING CUP RETRIEVER WITH D2.1 SPRING



Model Numbers:  
EM41264 – 2.4mm x 10'  
EM10660 – 2.4mm x 20'



[CLICK HERE TO VIEW ON OUR WEBSITE](#)

DWG-4115  
Drawing created on 04/27/15  
Specifications are subject to change without notice.

**DIMENSIONS ARE IN INCHES**  
STANDARD TOLERANCES UNLESS OTHERWISE SPECIFIED ARE:  
0 - 0.125 ± 0.002, 0.125 - 0.625 ± 0.004,  
0.625 - 1.188 ± 0.006, 1.188 - 4.000 ± 0.008,  
ANGULAR ± 0.5° FRACTIONAL ± N/A

