

# XBC-KZ10 Block Camera

The iShot® Xblock® XBC-KZ10 Block Camera is a multi-output zoom block camera module with a compact footprint, day/night capabilities and powerful processing power. Offering up to FULL HD 1080/60fps digital signal (via LVDS or HD-SDI) and composite analog signal (via CVBS), this block module is engineered to suit many vision applications from legacy analog to state of the art HD digital.

The XBC-KZ10 Block camera sensor is combined with a state-of-the-art processor with progressive scanning, wide dynamic range, noise reduction and automatic Infrared Cut-Filter operations. Along with a 10x optical motorized zoom lens, this block camera can produce high quality images of the toughest to view applications.

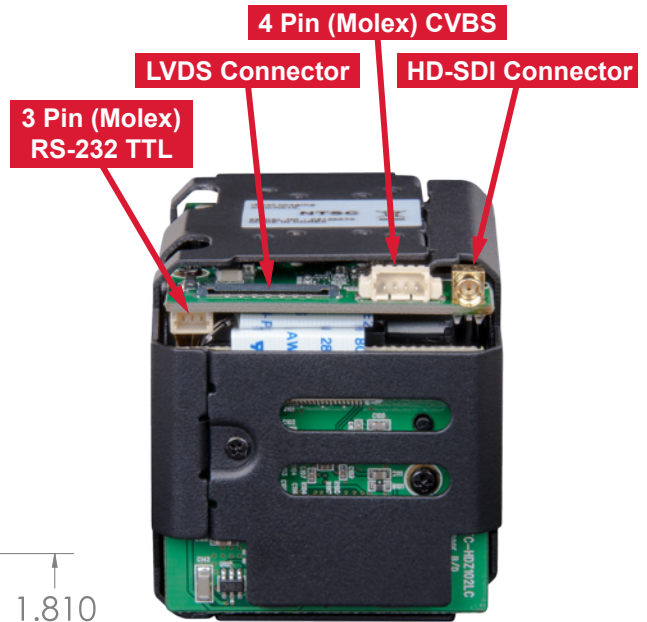
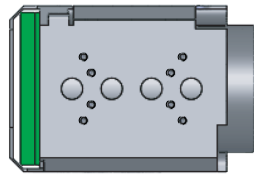
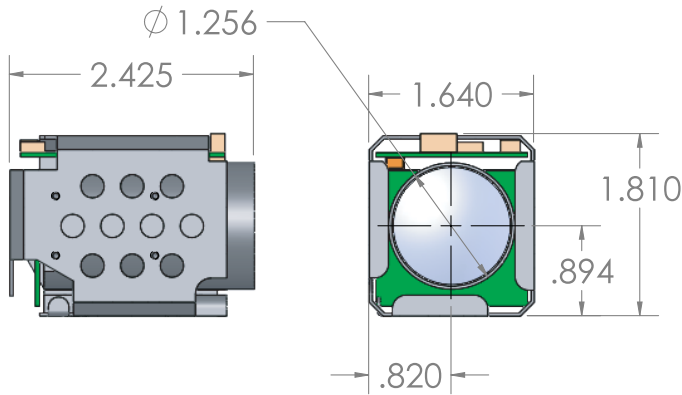
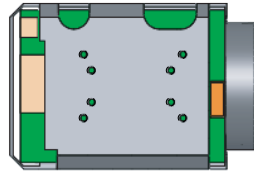
## Features/Benefits

- 1/3" 2.1M Progressive CMOS Image Sensor that supports FULL HD (high definition) to produce high-quality images.
- Select from various digital video output signals: 1080p/60, 1080p/50, 1080p/30, 1080p/25, 720p/60, 720p/50, 720p/30, 720p/25.
- Newly developed image signal processor has progressive scan and wide dynamic range capabilities that optimize dark and bright image values.
- Zoom lens with 10x optical zoom and F1.6 aperture (optical zoom + digital zoom = 120x)
- 256 internal zoom/focus presets.
- Noise Reduction feature allow for low-noise images even in low-light environments.
- Infrared Cut-Filter (ICR) that automatically toggles in day/night light environments.
- Privacy Zone Masking function (max. 16 blocks) is available.
- Motion Detection function is available.
- Text display title composed of up to 14 lines can be set for displaying on the screen. 20 characters can be used on one line.
- Part Number: EM14463



303 State Route 94 | Columbia, NJ 07832 | [www.intertest.com](http://www.intertest.com)

**Office:** 908.496.8008 | **Hours:** M-F, 8am to 5pm EST | **Email:** [service@intertest.com](mailto:service@intertest.com)



- LVDS output in single or dual output
- HD-SDI output with SMPTE292 compliance
- CVBS output

## Accessories

- Evaluation Cable with AD-Key Controller
- Cable Harness with DSUB9 Connector for Serial Control
- RS-232 to TTL Converter

## Applications

- Law Enforcement/Traffic Safety
- Power Generation
- Aerospace
- Manufacturing
- UAV
- Military
- Food Processing

Whether your solution is out-of-the-box or an in-depth integration project, Intertest's dedicated sales and engineering will work with you and your team to ensure the XBC-KZ10 is properly suited, integrated and operating to meet or

exceed your expectations. We pride ourselves in customer relationship building and best-in-class products and services. Intertest remains forever dedicated to being Focused on the Solutions of Tomorrow.



303 State Route 94 | Columbia, NJ 07832 | [www.intertest.com](http://www.intertest.com)

**Office:** 908.496.8008 | **Hours:** M-F, 8am to 5pm EST | **Email:** [service@intertest.com](mailto:service@intertest.com)