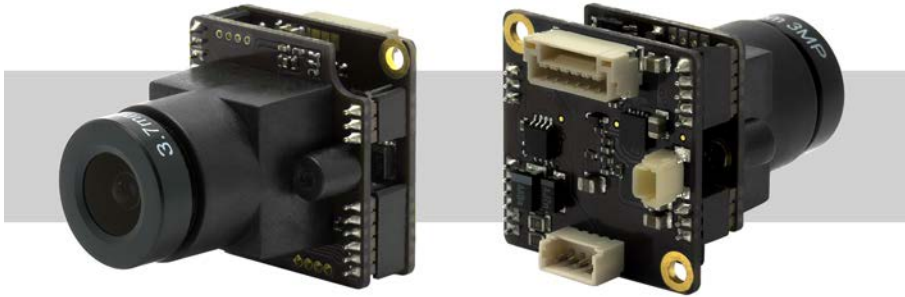


WAT-1100MBD (G3.7) 1/3.2" High Sensitivity Miniature Board Day/Night Camera

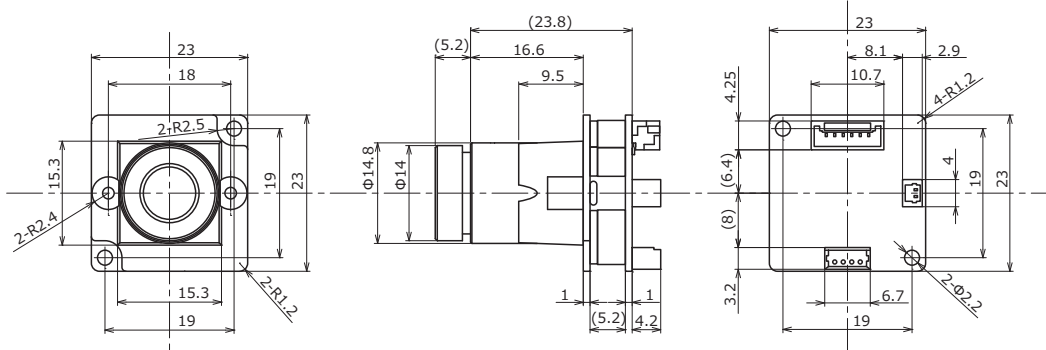
Day/Night board camera for general surveillance



Key features

- High sensitivity min. illumination 0.005 lx F1.8 (AGC ON=54dB, Shutter=OFF)
 - Ultra-compact design only 23 x 23 x 34 mm
 - Wide dynamic range, ICR Mechaless Day/Night function
 - Advanced setting available by OSD (On Screen Display) through an optional remote control
 - A dual-band pass filter allows the ability to view a scene with 850nm IR illumination at night
- ※Glass lenses and pinhole lens are not interchangeable

Dimensions








Specifications

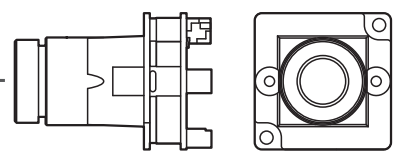
Video standard	NTSC	PAL
Pick-up element	1/3.2 inch BSI CMOS image sensor	
Number of effective pixels	1280(H) × 960(V)	1280(H) × 924(V)
Unit cell size	3.5μm(H) × 3.5μm(V)	
Imaging system	RGB+W array mosaic filters on chip	
Synchronizing system	Internal	
Scanning system	Progressive	
Video output	Composite: 1.0 V(p-p) 75Ω (Unbalanced)	
Resolution (H)	More than 750TVL (Center)	
Minimum illumination	0.005 lx F1.8 (AGC ON=54dB, Shutter=OFF)	
S/N	More than 55dB (AGC OFF=0dB, γ=1.0)	
Function settings	OSD : Remote controller	
AE mode	Fixed	1/60 sec.
		1/50 sec.
	EI	1/100, 1/120, 1/125, 1/250, 1/500, 1/1000, 1/2000, 1/4000, 1/8000, 1/10000, 1/20000, 1/50000, 1/100000 sec.
White balance	ATW, AWB, PWB, MWB, PRESET (5100K, 6300K)	
AGC	ON	0 - 54dB
	OFF	0dB
MGC	0 - 54dB (6dB step)	
Day/Night	ICR mechaless Auto, Manual	
Gamma characteristics	γ≈0.45	
Video level	Adjustable	
Noise reduction	2DNR OFF/ON Level adjustable	
Wide dynamic range	WDR OFF/ON Level adjustable, D-WDR OFF/ON Level adjustable	
Lens iris	DC	
Back light compensation	BLC, HSBLC	
White blemish correction	-	
Sharpness	Level adjustable	
Defog	OFF/ON Level adjustable	
Digital zoom	-	
Privacy mask	16 masks	
Mirror image	OFF, V-FLIP, H-FLIP, HV-FLIP	
Freeze	-	
Motion detection	-	
Neg.image	-	
Interface	4P connector (Composite Video, Power in), 2P connector (IR light ctl), Remote control(RC-01)	
Power supply	DC+5V - 12V	
Power consumption	0.6W/120mA (DC+5V), 0.72W/60mA (DC+12V)	
Operating temperature	-10 - +50°C	
Storage temperature	-30 - +70°C	
Operating / Storage humidity	95% RH or less (Without condensation)	
Lens mount	M12 P=0.5	
Standard lens	M3718BC-12 (f3.7 F1.8)	
Weight	Approx. 13g	
Accessories	4P cable, 2P cable	

Accessories
 Options



Miniature lenses

-  M2520BC-12
-  M2920BC-12
-  M3718BC-12 (Standard)
-  M0620BC-12
-  M0820BC-12

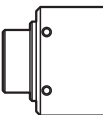
WAT-1100 MBD (G3.7)



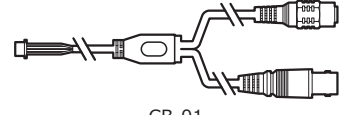
Extenders

-  EX005-M12-2
-  EX010-M12-2

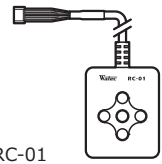
Camera housing

-  CH-02


Cable with connectors

-  CB-01


Remote control

-  RC-01

2P cable (300mm)

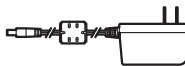

- 

4P cable (300mm)

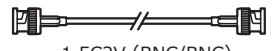


- 

VIDEO OUT
POWER IN (5-12V)

Power supply adaptors

-  SWI12-12-N-P5
-  SWI12-12-E-P5

Cable

-  1.5C2V (BNC/BNC)
-  3C2V (BNC/BNC)
-  3C2V (BNC/RCA)

VIDEO OUT (BNC)

VIDEO OUT (BNC)

VIDEO OUT (RCA)



※Not in our lineup

OSD

IR LIGHT CTL

POWER IN (DC12V)