

USE AND CLEANING INSTRUCTION

⚠ In order to keep the LED mirror look perfectly, we suggest using and cleaning the mirror regularly.

1. Please use in safe voltage range. (100V-240V)
2. Use electrical tape to wrap around the wires to prevent leakage.
3. Do not strike mirror glass with hard or pointed items.

⚠ Please obey the following procedure when you clean the mirror.

1. It is recommended that the product is cleaned with a soft, non abrasive cloth.
2. Do not use Irritating cleaning agents or abrasive materials on any type of finished surface. Please use the any following cleanser to remove the dirt.

Gentle liquid detergent.

Colorless cleanser.

★ Product Warranty

Manufacturer warranty for 1 year from date of purchase.

KEONJINN

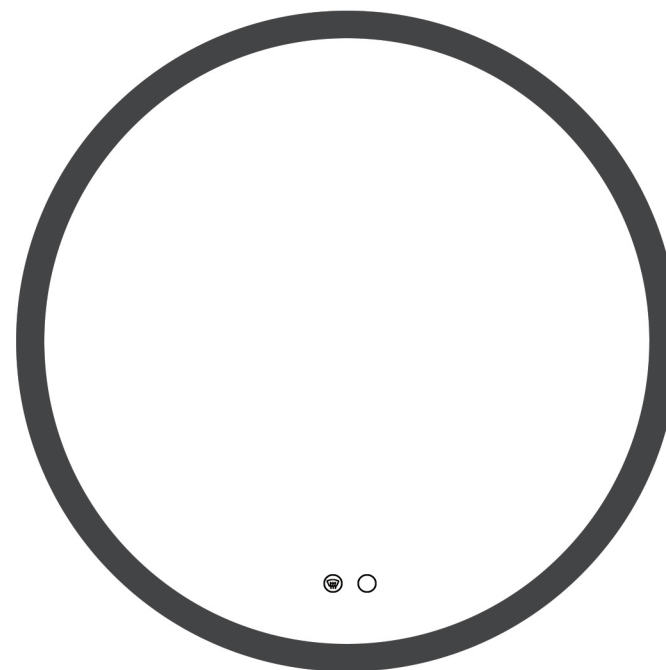
If you have any problem, please feel free to contact us on

sales@keonjinn.com



KEONJINN

L e d i n g t h e l i f e



LED MIRROR

Installation Instruction

BEFORE INSTALLATION

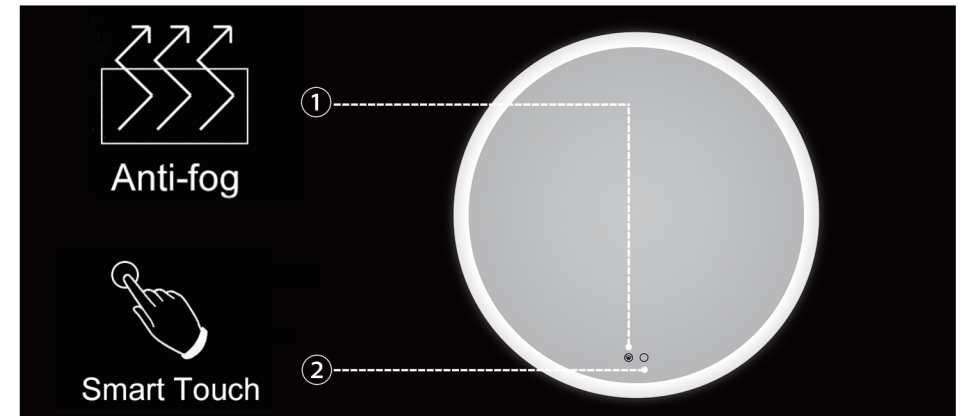
⚠ Thank you very much for using Keonjinn products, in order to facilitate the use of Keonjinn products, please read this instruction carefully before you begin installation.

1. Important Safety Instructions:

- Please read all instructions carefully before assembling the item.
- Assembly by two or more adults is highly recommended.
- To connect the wires to electrical junction box, a qualified technician or electrician is highly recommended.
- Disconnect power before installing, adding or changing any components.
- Ensure that the fixing location is able to take the weight of the complete fitting. (solid stone / brick walls).
- To prevent injury, the mirror must be installed according to these instructions.

2. Pre-assembly:

- After opening the package, inspect the product immediately upon receipt for transit damage or missing parts.
- Keep the voltages between 100V and 240V. If the voltage exceeds 240V, please use transformer.
- You can connect the wires directly to your junction box or the plug.
- Do not remove the transparent silicone protector before completing the installation.



3. Before installation, please check to make sure the mirror is working properly :

After connecting the power, the two round buttons will turn white. At the moment the LED and anti-fog function are already turn on automatically. If you don't need to use any one of them, just touch it to turn it off, then the button will be dimmed.

Memory Function : The status of two buttons will have been memorized in the mirror. The next time you open the mirror it will be in the same state it was in before it was last closed, which means that you don't have to touch the buttons each time.

- ① The above button is the anti-fog switch.

When you are not using it, remember to turn off the switch to prevent wasting energy.

Anti-fog film working principle: Anti-fog film converts electric energy into heat energy efficiently, and transmits heat directly to the mirror surface to warm the mirror surface. The specific power is kept at a constant temperature, which effectively prevents water vapor from condensing on the surface of the mirror and acts as an anti-fog.

- ② The below button is the smart switch.

If you want to adjust different brightness, keep holding the smart switch, and the brightness will change.

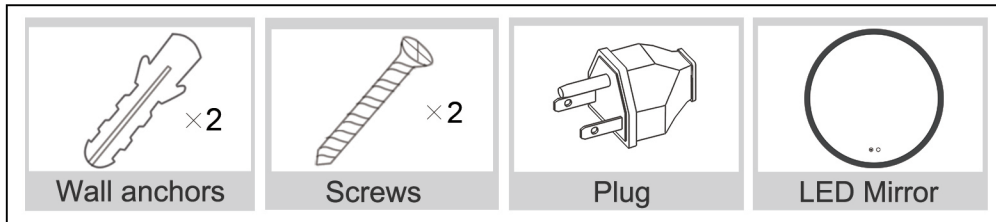
CONTACT US

Note: After opening the package, Please inspect the product immediately for damage in transit or missing parts. If there is any missing, Please contact us by (sales@keonjinn.com). or you can contact us at Amazon by following these steps:

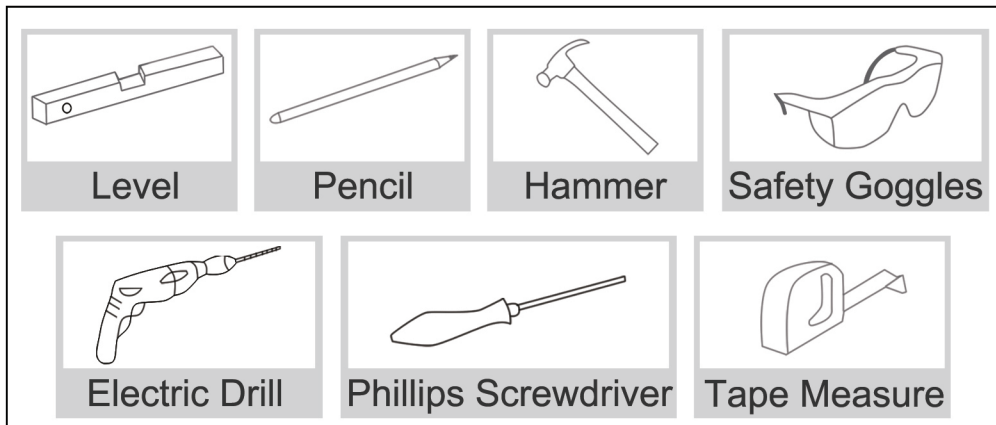


- Open "Orders" at Amazon
 - Find the product you have purchased and open the product page
 - Click Sold by "Keonjinn" -Click"Ask a question"
 - Click "An order I have placed"
 - Click "Your product" -Click "Other" -Click "Troubleshooting"
- Then you can send us messages,we will reply within 24 hours.

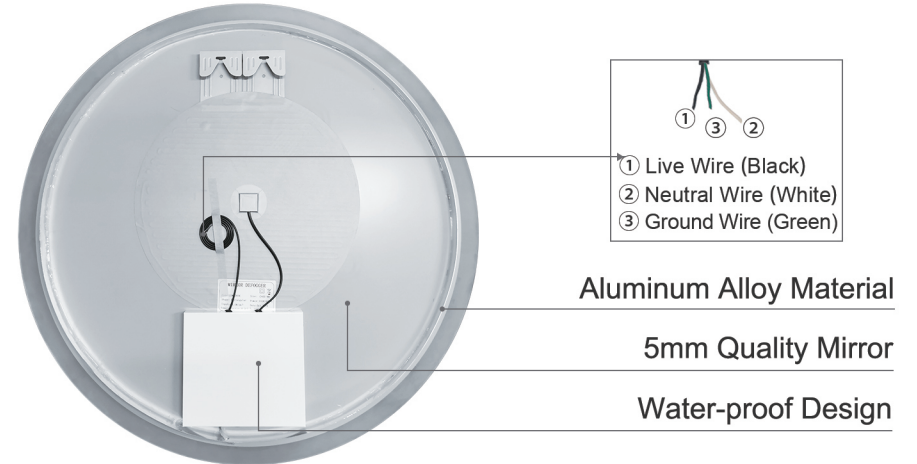
PACKING LIST



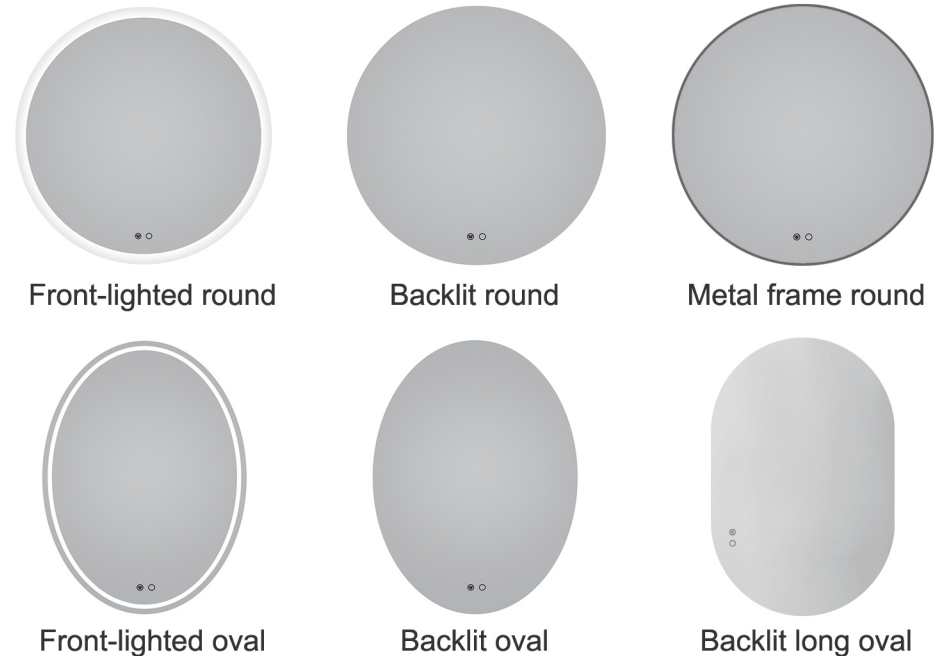
INSTALLATION TOOLS



PRODUCT DESCRIPTION



PRODUCT STYLE



INSTALLATION PREPARATION

Round and oval mirrors can only be hung vertically. There are two mounting points "A1" and "A2" on the back of the mirror for mounting on the wall.

Round Mirror

Please measure the distance between the two mount points A1 and A2.



Oval Mirror

Please measure the distance between the two mount points A1 and A2.



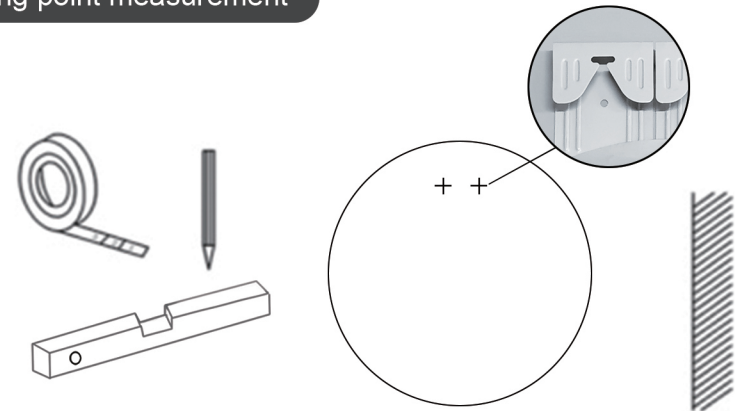
05

INSTALLATION OF LED MIRROR

Open the carton and make sure all the parts listed below are present.



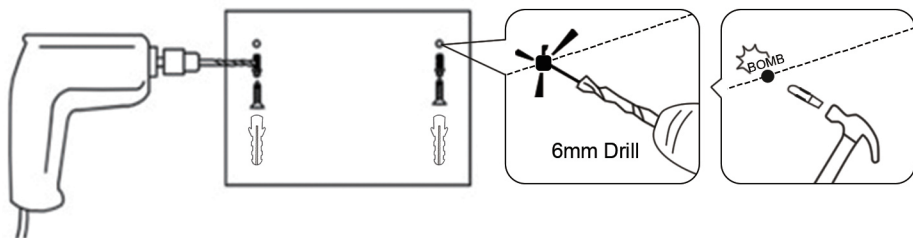
Mounting point measurement



Measure the distance of two mounting points center. Use the level ruler to draw a horizontal line on the wall and then mark the location of the center of keyholes.

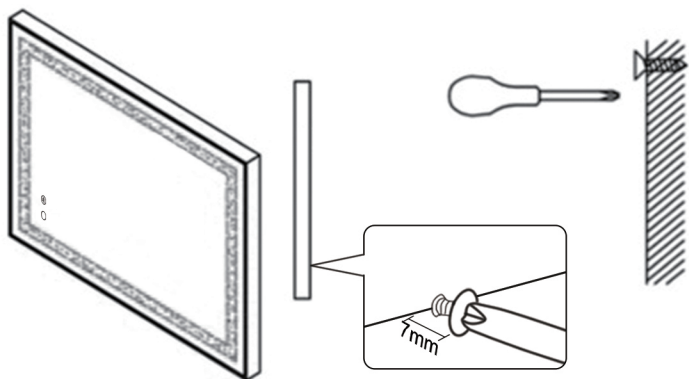
06

Drill pilot holes on the marked spots



Use a electric drill to punch four 6mm holes at the marked spots, and then apply wall anchors with hammer.
(6mm drill bit, drilling depth in 5 cm)

Insert the screw



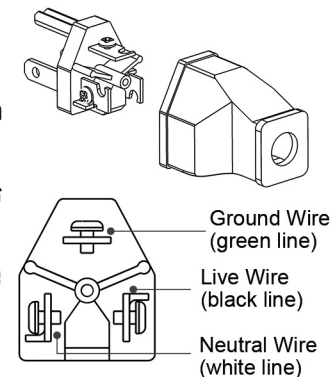
Use a screwdriver to screw the screws into the wall anchors.
Leave a distance of 7 mm from the wall.

Connect the power

There are three power wires behind the mirror, including the live wire (black), the neutral wire (white) and the ground wire (green). You can connect the wires to standard switched lighting circuit or plug.

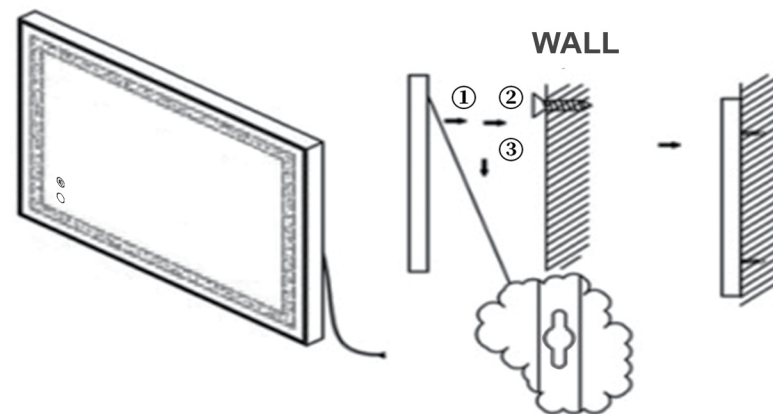
If you want to connect power wires to plug, you can refer to the steps:

- ① Remove the plug cover.
- ② Unscrew the screws on each of the plug's pins.
- ③ Insert the twisted copper wires into the holes in the pins.
- ④ Tighten the little screw on each of the plug's pins.
- ⑤ Make sure the wire is tightly clamped by the brake or clip.
- ⑥ Replace the cover of the plug.



Other power connection methods are on the same principle.

Mount the mirror on the wall and ensure it is sturdy



⚠ Note: After the installation is completed, please remove the silicone corner protector.

PRODUCT SPECIFICATION

Style	Dimension	Watts	Lumens
Front-lighted round	Φ24	24W	2080LM
	Φ28	36W	2490LM
	Φ32	36W	2900LM
	Φ36	36W	3347LM
	Φ40	36W	3714LM
Backlit round	Φ24	24W	2130LM
	Φ28	36W	2570LM
	Φ32	36W	2943LM
	Φ36	36W	3551LM
	Φ40	36W	3820LM
Metal frame round	Φ32	36W	3140LM
	Φ36	36W	3532LM
Front-lighted oval	24*32	36W	2750LM
	24*36	36W	2894LM
Backlit oval	24*32	36W	2791LM
	24*36	36W	2937LM
Backlit long oval	24*36	36W	3172LM
	40*24	36W	3432LM
	48*24	36W	3632LM

PRODUCT SPECIFICATION

PARAMETER	SPECIFICATION
Color Temperature	6000K
Input Voltage	AC100-240V
Output Voltage	12V DC
CRI	≧ 90 Ra
Working Temperature	-20~50°C
Life Span	≥20000 hours
Anti-fog	Yes
Safety Compliance	ETL
IP Rate	IP44
Mirror Glass	5 mm
Wiring Method	Hardwired / Plug in
Switch	Touch Sensor Switch
Mounting Method	Wall Mount