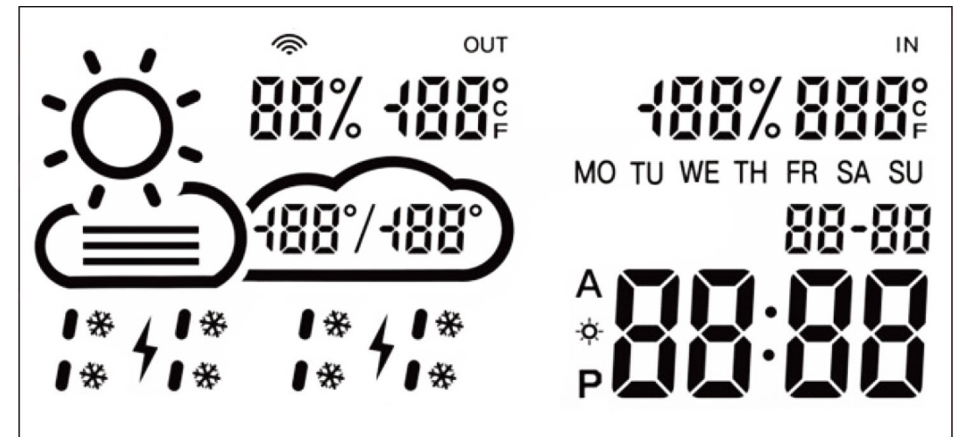


KEONJINN

Weather module for mirror



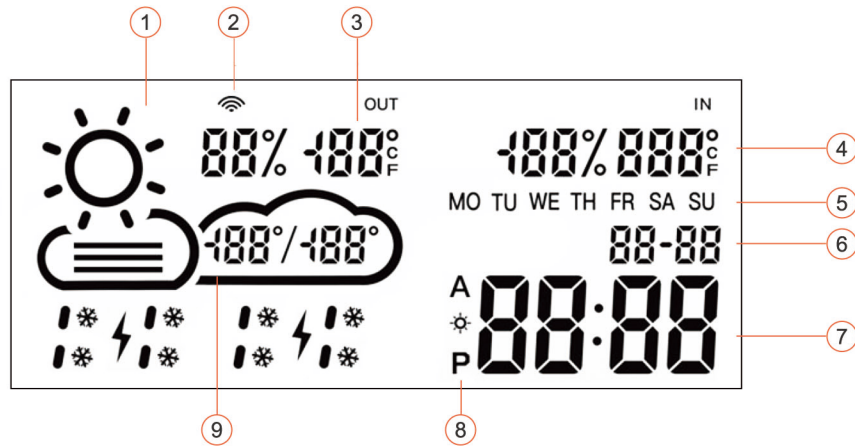
KEONJINN

If you have any problem, please feel free to contact us on

sales@keonjinn.com

Function Description

Appearance



- | | |
|-------------------------------------|--------------------------------|
| 1. Real time weather forecast | 6. Date |
| 2. Wi-fi icon | 7. Time |
| 3. Outdoor humidity and temperature | 8. 12/24 time format |
| 4. Indoor temperature | 9. Real time temperature range |
| 5. Weekday | |

Product Features

- 7.3-inch LED display
- Wi-Fi network to get accurate time and date
- Wi-Fi receives real-time weather forecast (weather conditions, temperature and humidity, temperature range)
- Indoor temperature detection
- Today and tomorrow weather forecast display (optional)
- LED brightness is adjustable
- LED night mode
- Firmware upgrade function
- WiseMirror APP intelligent control

Product Parameters

PARAMETER	SPECIFICATION
Working Voltage	DC 12V/24V
Display	7.3-inch LED display
The Maximun Power Of The Whole Machine	6W
Shell Size	186x88x11mm
Dehydrated Silver Area Size	166x68mm

Operation Method

After power-on, it displays for two seconds and then enter the intelligent network configuration mode;

Press and hold the SET button for 2 seconds or plug in the power supply 3 times: enter the smart configuration mode, you can use the APP to connect to the Wi-Fi router;

Press and hold the SET button for 4 seconds or plug in the power supply 6 times: enter the compatible configuration mode, you can use the APP to connect to the Wi-Fi router;

Application Note

This module is equipped with WiseMirror APP to easily configure the mirror weather module, such as connecting a WiFi router, setting local area and temperature unit settings, and viewing the real-time temperature in the room on the WiseMirror APP.



(For IOS)



(Google Play)

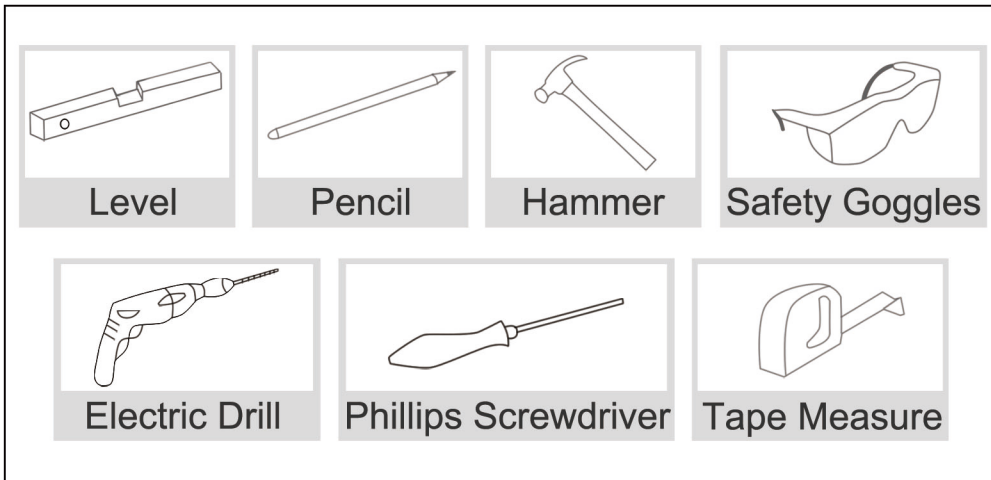


(For mainland China users)

PACKING LIST



INSTALLATION TOOLS



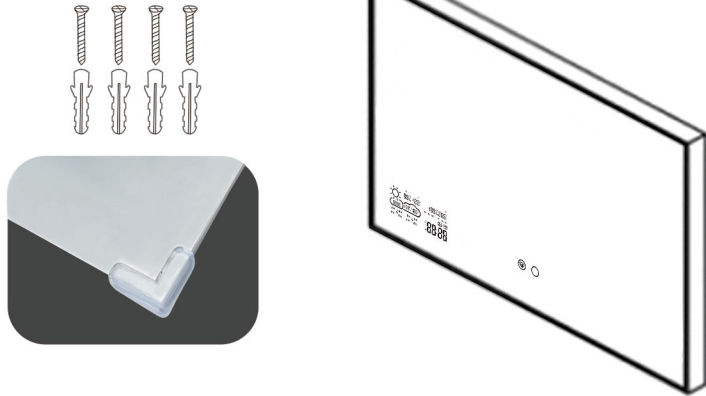
BEFORE INSTALLATION

⚠ Thank you very much for using Keonjinn products, in order to facilitate the use of Keonjinn products, please read this instruction carefully before you begin installation.

1. Keep the home voltages between 100V and 120 V, the best is 110V. When the home voltage exceeds 120V, please remember to use transformer.
2. You can connect the wires that are coming out of the center of the back of the mirror directly to your electrical connection box or the plug.
3. Handle the product with care and protect against knocks to all sides and edges of the glass. and please do not remove the transparent silicone protector before installation.
4. Ensure there are no hidden pipes or cables in the wall before drilling.
5. Ensure that the fixing location is able to take the weight of the complete fitting. (solid stone / brick walls).
6. Disconnect power before installing, adding or changing any component.
7. Installed by a qualified technician is recommended.
8. Wear suitable eye protection while drilling. Be careful when using power tools near water.
9. A minimum of two people is needed to perform this installation.

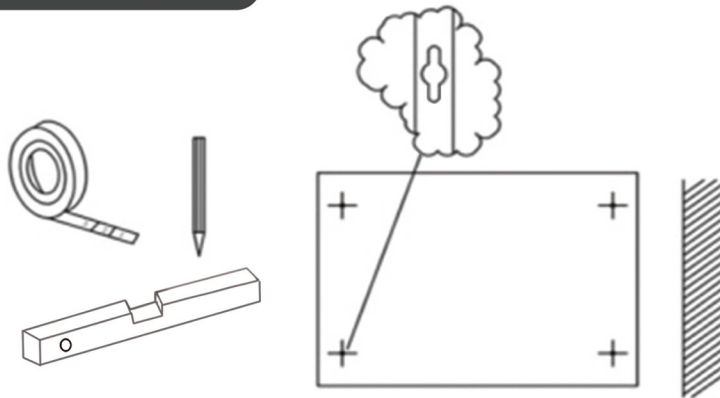
INSTALLATION OF LED MIRROR

Open the carton and make sure all the parts listed below are present.



⚠ Note: Please don't remove the transparent silicone protector before completing the installation.

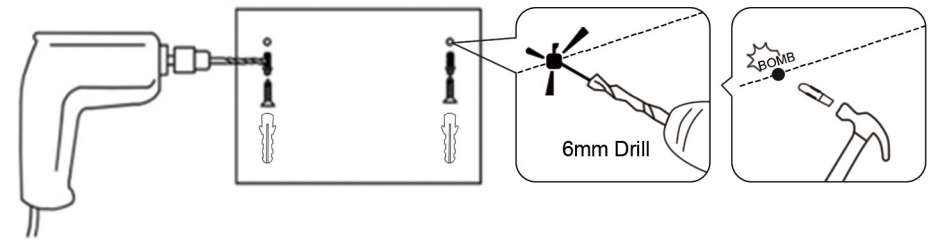
Distance measuring hook



Measure the distance of four hooks centre and use the level ruler to draw a horizontal line on the wall and then mark the location of the center of hooks.

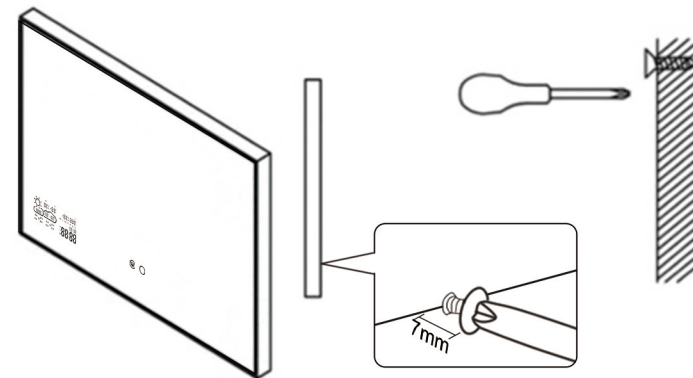
05

Drill pilot holes on the marked spots



Use a electric drill to punch four 6mm holes at the marked spots, and then apply wall anchors with hammer.
(6mm drill bit, drilling depth in 5 cm)

Insert the screw



Use the screwdriver to lightening the screw on the wall anchors, set aside 7mm distance to wall.

06

Connect the power

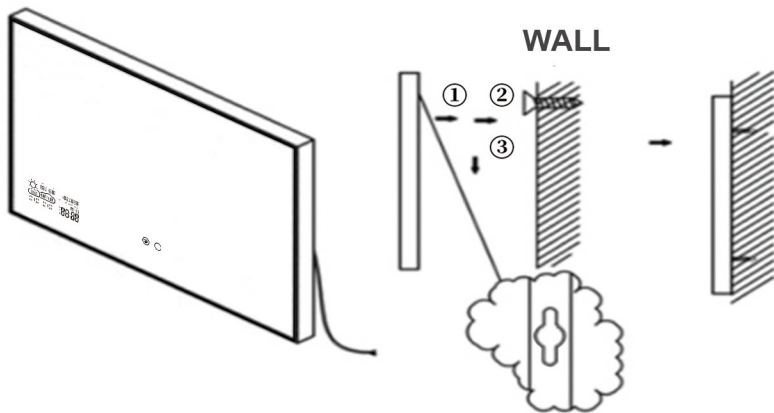
There are two power wires behind the mirror, including the live wire (black) and the neutral line (white). You can connect the wires to standard switched lighting circuit or plug.

If you want to connect power wires to plug, you can refer to the steps:

- Remove the plug cover by either "snapping" or unscrewing it.
- Unscrew the little screws on each of the plug's pins.
- Insert the twisted copper wires into the holes in the pins.
- Tighten the little screw on each of the plug's pins.
- Make sure the electrical cord is firmly gripped by the arrest or clips.
- Replace the cover of the plug.

Other power connection methods are on the same principle.

Mount the mirror on the wall and ensure it is sturdy



⚠ Note: After the installation is completed, please remove the transparent silicone protector.

USE AND CLEANING INSTRUCTION

⚠ In order to keep the LED mirror look perfectly, we suggest using and cleaning the mirror system regularly.

1. Please use in safe voltage range. (100V-120V)
2. Use electrical tape to wrap around the wires to prevent leakage.
3. Do not strike mirror glass with hard or pointed items.

⚠ Please obey the following procedure when you clean the mirror.

1. It is recommended that the product is cleaned with a soft, non abrasive cloth.
2. Do not use Irritating cleaning agents or abrasive materials on any type of finished surface. Please use the any following cleanser to remove the dirt.

Gentle liquid detergent.

Colorless cleanser.

★ Product Warranty

Manufacturer warranty for 1 year from date of purchase.