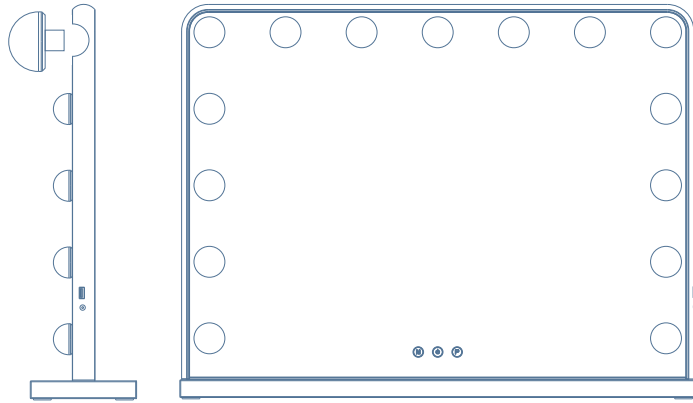


The bulb is replaceable



1. Take out the bulb: switch the power off, hold the lamp holder tightly and pull it out directly;
2. Install the bulb: align the clamping position of the bulb with the clamping position of the lamp holder and press it in.

Bluetooth function (Bluetooth type only)

1. Turn on the mirror;
2. Connect "HX-BT2020" through the mobile phone's Bluetooth function;
3. Play the songs in your mobile phone.

KEONJINN

If you have any problem, please feel free to contact us on

sales@keonjinn.com

KEONJINN

HOLLYWOOD MAKE-UP MIRROR

Installation Instruction

Function description

1. Color Temperature Selection Key: press this select the color temperature of the bulb;
2. On / OFF Key : press the button and the brightness of the bulb will gradually change during the switching process;
3. Brightness Adjustment Key: long press to adjust the brightness of the bulb.



Color Temperature
Selection Key

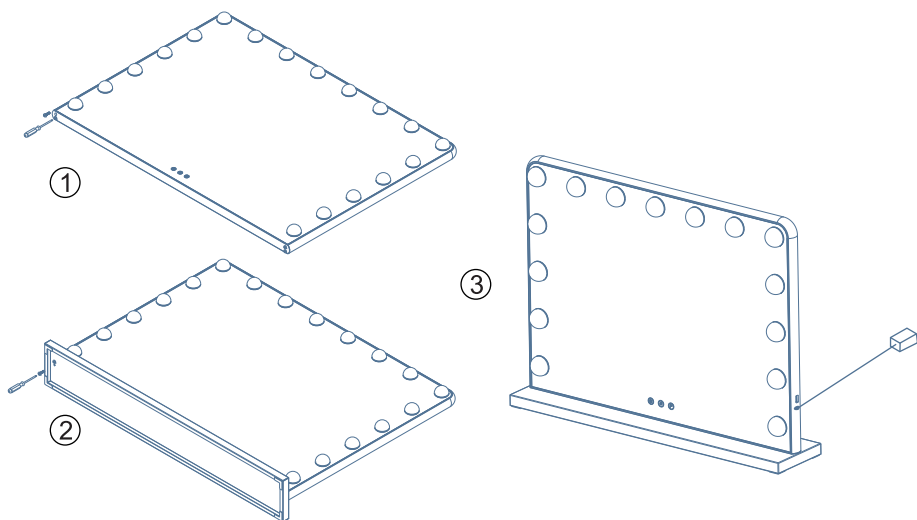


On / OFF Key



Brightness Adjustment
Key

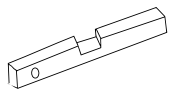
Install make-up mirror



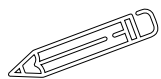
1. Take out the 4 screws at the bottom;
2. Install the base plate with the 4 screws;
3. It can be used by connecting the plug and turning on the power.

NOTE: If you want to hang the mirror on the wall, when you remove the base, you have to put the screws back on.

INSTALLATION TOOLS



Level



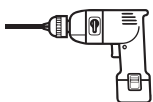
Pencil



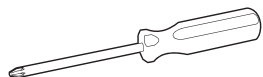
Hammer



Safety Goggles



Electric Drill

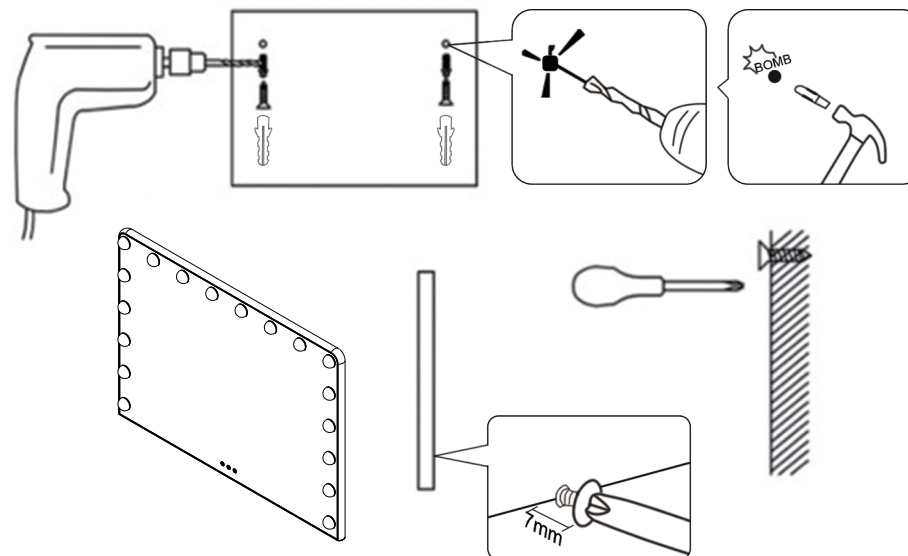


Phillips Screwdriver



Tape Measure

Wall-mounted make-up mirror



1. Measure the distance of two hooks centre and use the level ruler to draw a horizontal line on the wall and then mark the location of the center of hooks;
2. Use a electric drill to punch two 6mm holes at the marked spots, and then apply wall anchors with hammer;
3. Use the screwdriver to lightening the screw on the wall anchors, set aside 7mm distance to wall.

Key features

Product Mode	HMM580445	HMM580445 + bluetooth	HMM800600
Material	Glass + Aluminium alloy		
Input Voltage	DC 12V (USB : 5V ~ 1.5A ~ 7.5W)		
Power	24W	36W	36W
Color Temperature	3000K-5800K	3000K-5800K	3000K-5800K
LED Bulbs	15	15	18