

USE AND CLEANING INSTRUCTION

⚠ In order to keep the LED mirror look perfectly, we suggest using and cleaning the mirror regularly.

1. Please use in safe voltage range. (100V-240V)
2. Use electrical tape to wrap around the wires to prevent leakage.
3. Do not strike mirror glass with hard or pointed items.

⚠ Please obey the following procedure when you clean the mirror.

1. It is recommended that the product is cleaned with a soft, non abrasive cloth.
2. Do not use Irritating cleaning agents or abrasive materials on any type of finished surface. Please use the any following cleanser to remove the dirt.

Gentle liquid detergent.

Colorless cleanser.

★ Product Warranty

Manufacturer warranty for 1 year from date of purchase.

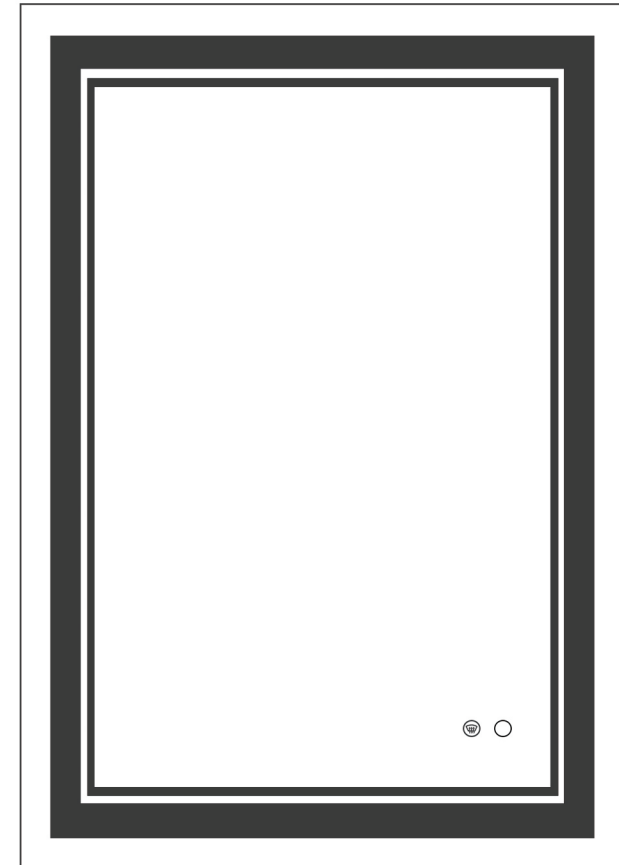
KEONJINN

If you have any problem, please feel free to contact us on

sales@keonjinn.com



KEONJINN
L e d i n g t h e l i f e



LED Mirror

Installation Instruction

BEFORE INSTALLATION

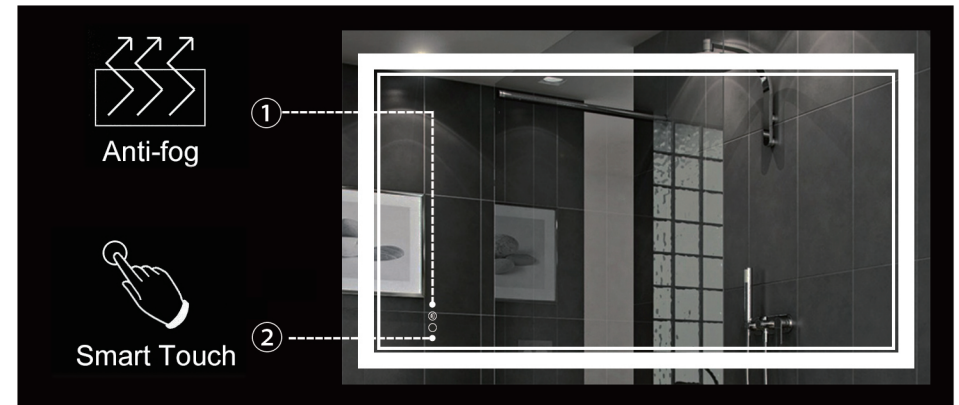
⚠ Thank you very much for using Keonjinn products, in order to facilitate the use of Keonjinn products, please read this instruction carefully before you begin installation.

1. Important Safety Instructions:

- Please read all instructions carefully before assembling the item.
- Assembly by two or more adults is highly recommended.
- To connect the wires to electrical junction box, a qualified technician or electrician is highly recommended.
- Disconnect power before installing, adding or changing any components.
- Ensure that the fixing location is able to take the weight of the complete fitting. (solid stone / brick walls).
- To prevent injury, the mirror must be installed according to these instructions.

2. Pre-assembly:

- After opening the package, inspect the product immediately upon receipt for transit damage or missing parts.
- Keep the voltages between 100V and 240V. If the voltage exceeds 240V, please use transformer.
- You can connect the wires directly to your junction box or the plug.
- Do not remove the transparent silicone protector before completing the installation.




3. Before installation, please check to make sure the mirror is working properly :

After connecting the power, the two round buttons will turn white. At the moment the LED and anti-fog function are already turn on automatically. If you don't need to use any one of them, just touch it to turn it off, then the button will be dimmed.

- ① The above button is the anti-fog switch. 

When you are not using it, remember to turn off the switch to prevent wasting energy.

Anti-fog pad working principle: Anti-fog pad converts electric energy into heat energy efficiently, and transmits heat directly to the mirror surface to warm the mirror surface. The specific power is kept at a constant temperature, which effectively prevents water vapor from condensing on the surface of the mirror and acts as an anti-fog.

- ② The below button is the smart switch. 

This switch can control the light brightness and color temperature switching. Keep holding it and the brightness will change. You could adjust the color of light according to your preference: the first touch is white light, the second touch is yellow light, and the third touch is natural light.

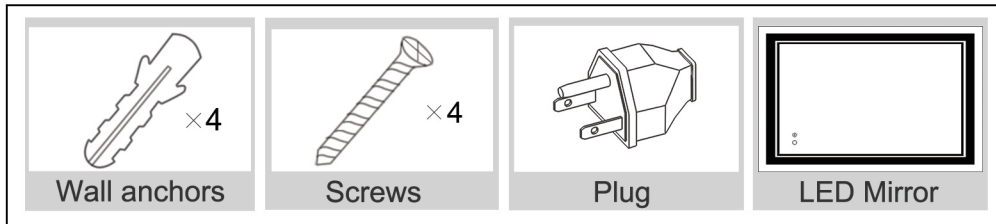
CONTACT US

Note: After opening the package, Please inspect the product immediately for damage in transit or missing parts. If there is any missing, Please contact us by (sales@keonjinn.com). or you can contact us at Amazon by following these steps:

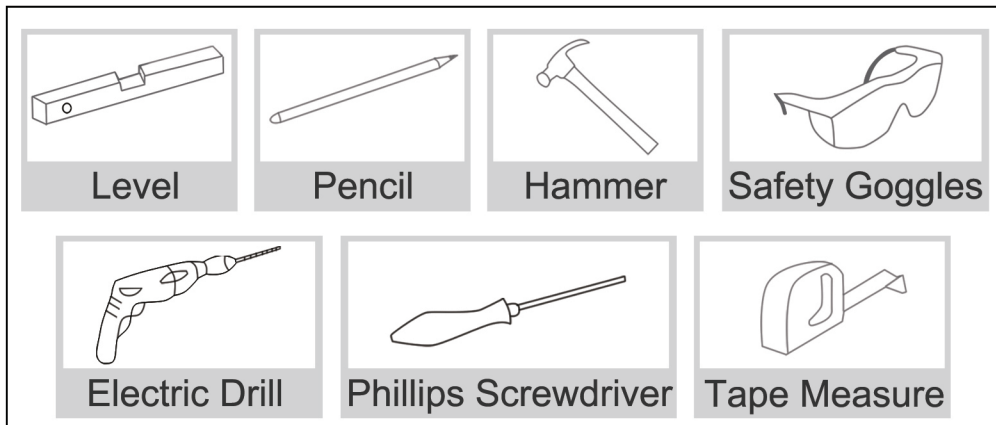


- Open "Orders" at Amazon
 - Find the product you have purchased and open the product page
 - Click Sold by "Keonjinn" -Click"Ask a question"
 - Click "An order I have placed"
 - Click "Your product" -Click "Other" -Click "Troubleshooting"
- Then you can send us messages,we will reply within 24 hours.

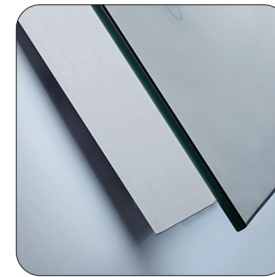
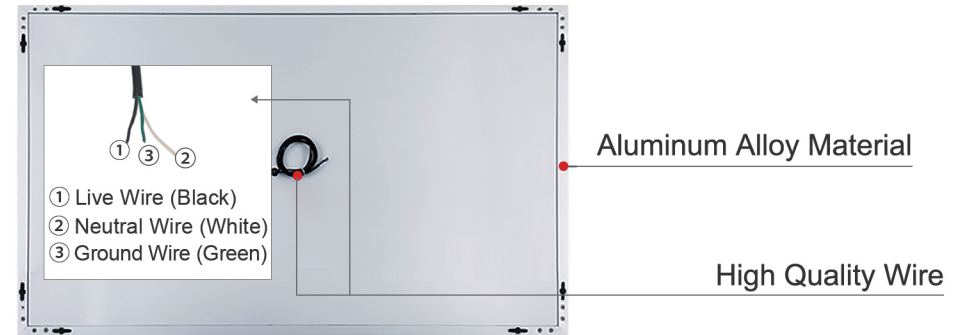
PACKING LIST



INSTALLATION TOOLS



PRODUCT DESCRIPTION



5mm Quality Mirror

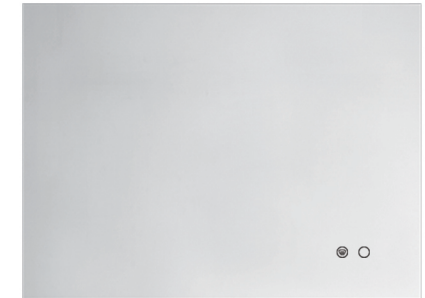


Water-proof design

PRODUCT STYLE



front-lighted



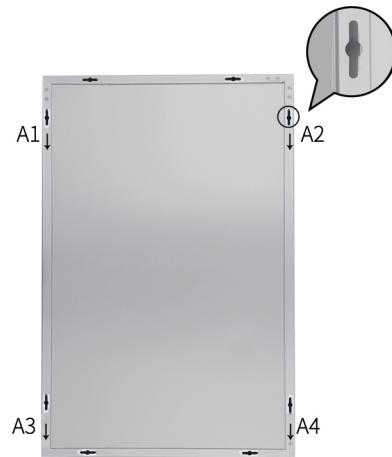
backlit

Mounting Method

The mirror can be mounted either Horizontally or Vertically, so there are 8 mounting points on the back of mirror. Please confirm the wall mount Horizontally or Vertically before installation.

Vertically

Vertically hanging: Please measure the mounting points of "A1" and "A2"; and the mounting points of "A3" and "A4"



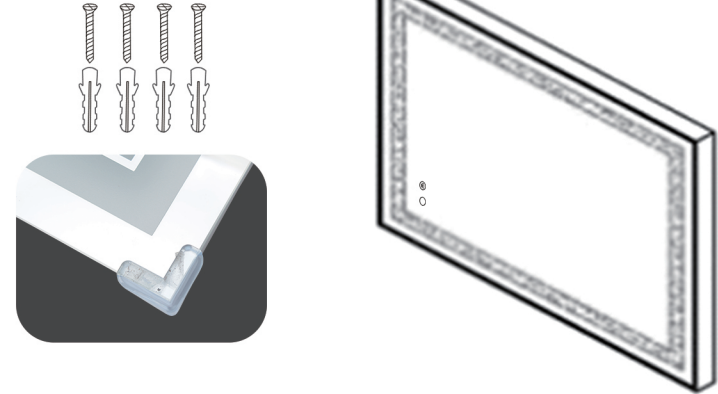
Horizontally

Horizontally hanging: Please measure the mounting points of "B1" and "B2"; and the mounting points of "B3" and "B4"



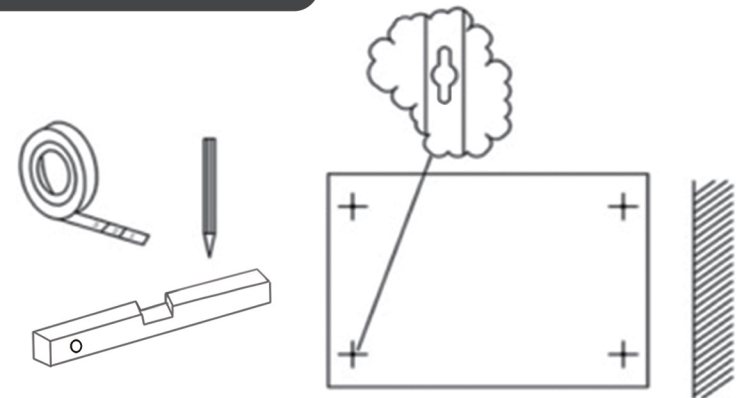
INSTALLATION OF LED MIRROR

Open the carton and make sure all the parts listed below are present.



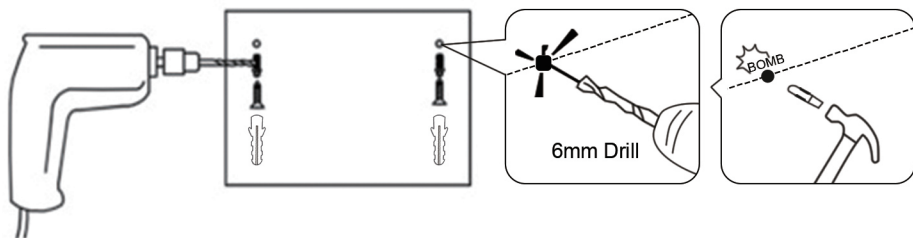
⚠ Note: Please don't remove the silicone corner protector before completing the installation.

Mounting point measurement



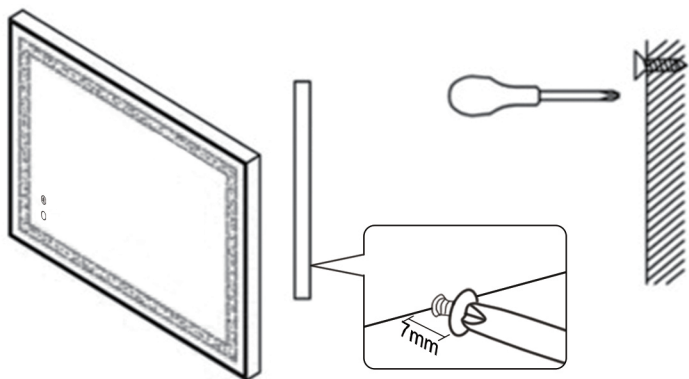
Measure the distance of four hooks centre and use the level ruler to draw a horizontal line on the wall and then mark the location of the center of hooks.

Drill pilot holes on the marked spots



Use a electric drill to punch four 6mm holes at the marked spots, and then apply wall anchors with hammer.
(6mm drill bit, drilling depth in 5 cm)

Insert the screw



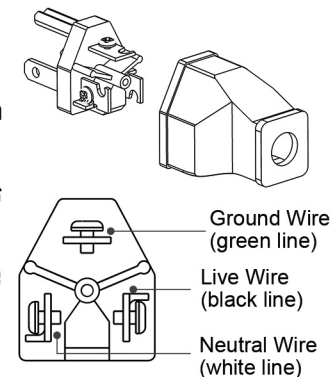
Use a screwdriver to screw the screws into the wall anchors.
Leave a distance of 7 mm from the wall.

Connect the power

There are three power wires behind the mirror, including the live wire (black), the neutral wire (white) and the ground wire (green). You can connect the wires to standard switched lighting circuit or plug.

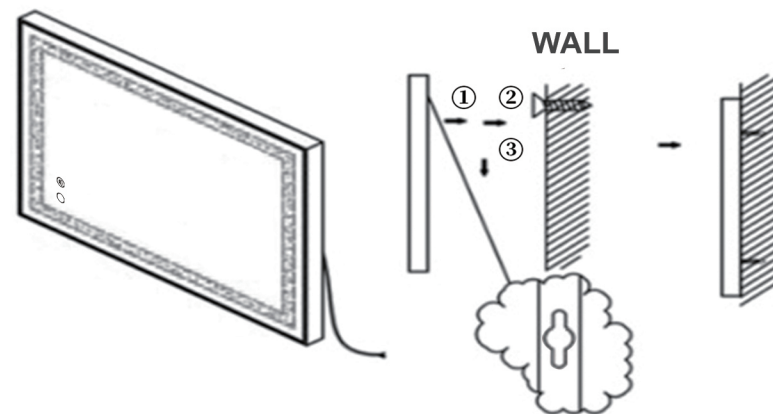
If you want to connect power wires to plug, you can refer to the steps:

- ① Remove the plug cover.
- ② Unscrew the screws on each of the plug's pins.
- ③ Insert the twisted copper wires into the holes in the pins.
- ④ Tighten the little screw on each of the plug's pins.
- ⑤ Make sure the wire is tightly clamped by the brake or clip.
- ⑥ Replace the cover of the plug.



Other power connection methods are on the same principle.

Mount the mirror on the wall and ensure it is sturdy



⚠ Note: After the installation is completed, please remove the silicone corner protector.

PRODUCT SPECIFICATION

Dimension	Watts	Lumens (front-lighted)	Lumens (backlit)
20"L x 28"W	36W	3827LM	3884LM
24"L x 32"W	36W	4659LM	4729LM
24"L x 36"W	45W	5075LM	5151LM
28"L x 36"W	45W	5491LM	5573LM
30"L x 36"W	45W	6152LM	6234LM
36"L x 36"W	45W	6323LM	6417LM
40"L x 24"W	45W	5491LM	5573LM
40"L x 28"W	45W	5795LM	5918LM
40"L x 32"W	45W	6323LM	6418LM
48"L x 24"W	45W	6364LM	6459LM
48"L x 28"W	45W	6992LM	7049LM
48"L x 32"W	60W	7360LM	7420LM
48"L x 36"W	60W	7612LM	7726LM
55"L x 36"W	60W	8361LM	8486LM
60"L x 28"W	60W	8070LM	9191LM
60"L x 36"W	60W	8902LM	9035LM
60"L x 40"W	60W	9318LM	9457LM
72"L x 30"W	60W	9076LM	9375LM
72"L x 36"W	60W	10067LM	10218LM

PRODUCT SPECIFICATION

PARAMETER	SPECIFICATION
Color Temperature	3000K-6000K
Input Voltage	AC100-240V
Output Voltage	12V DC
CRI	≧ 90 Ra
Working Temperature	-20~50°C
Life Span	≥20000 hours
Anti-fog	Yes
Safety Compliance	ETL
IP Rate	IP54
Mirror Glass	5 mm
Wiring Method	Hardwired / Plug in
Switch	Touch Sensor Switch
Mounting Method	Wall Mount