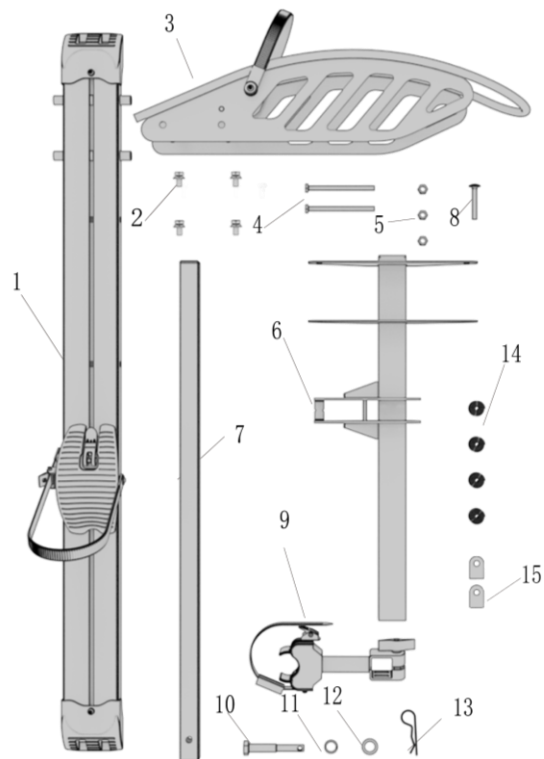




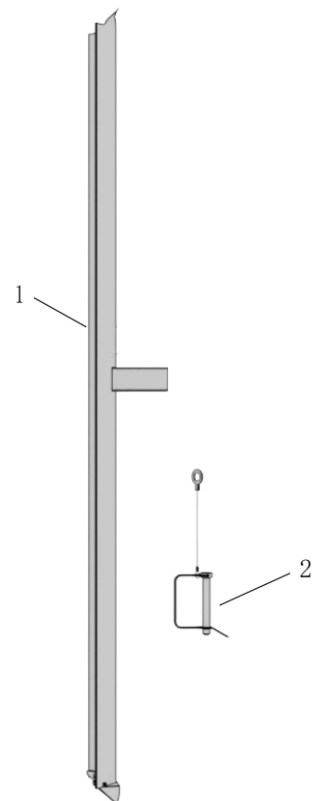
# MANUAL

## Hitch Bike Rack - SOLE R

## Parts for bike rack



## Parts for ramp



## Parts List for bike rack

| Part# | Description                   | Qty |
|-------|-------------------------------|-----|
| 1     | Beam Assembly                 | 1   |
| 2     | M10*25 Outer Hexagon Bolt Kit | 4   |
| 3     | Front Wheel Holder            | 1   |
| 4     | M10 Long Outer Hexagon Bolt   | 2   |
| 5     | M10 Lock Nut                  | 3   |
| 6     | Bottom Fixing Bracket         | 1   |
| 7     | Support Rod                   | 1   |
| 8     | M10 Low Square Neck Bolt      | 1   |
| 9     | Connecting Block              | 1   |
| 10    | M16 Shockproof Bolt           | 1   |
| 11    | φ16 Spring Washer             | 1   |
| 12    | φ16 Flat Washer               | 1   |
| 13    | φ3.8 Pin                      | 1   |
| 14    | Velcro                        | 4   |
| 15    | Semicircle Plate              | 2   |

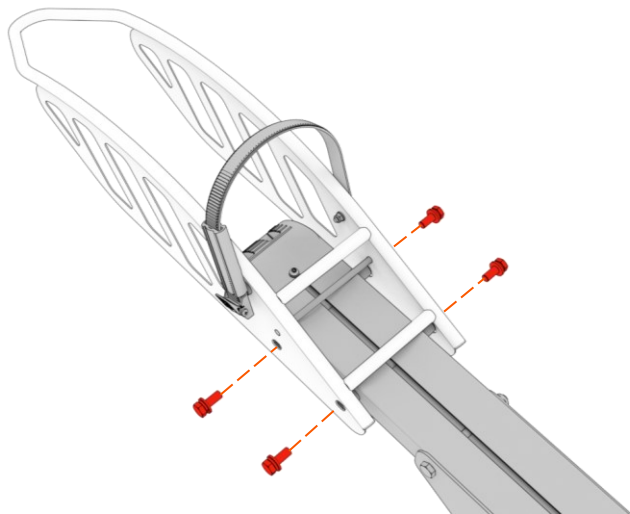
## Parts List for ramp

| Part# | Description       | Qty |
|-------|-------------------|-----|
| 1     | Ramp              | 1   |
| 2     | Quick-release pin | 1   |

## Required Tools (Not included)

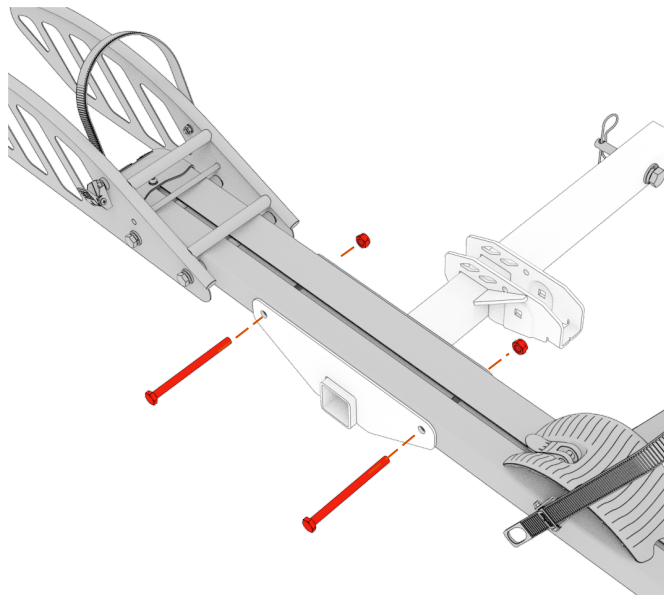
| Name          | Imperial | Metric |
|---------------|----------|--------|
| Monkey Wrench | 12"      | 300mm  |
| Open Wrench   | 7/16"    | 11mm   |
| Open Wrench   | 11/16"   | 17mm   |

## STEP1



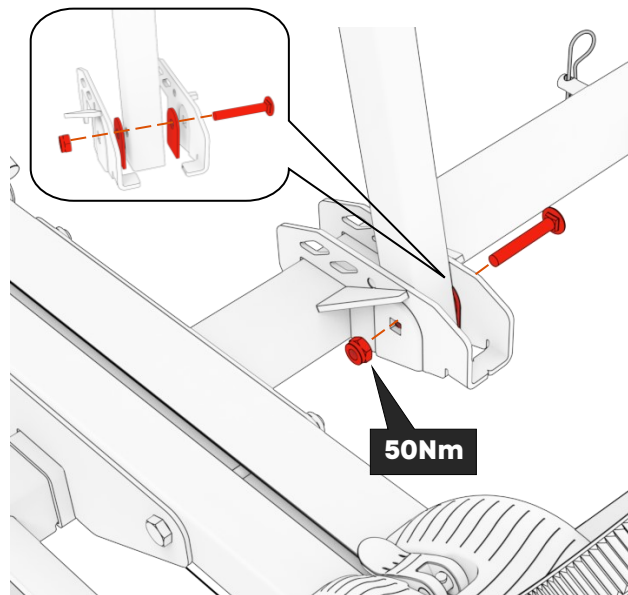
Put the holes of the **Front Wheel Holder (3)** and the **Beam Assembly (1)** aligned, install 4pcs **M10\*25 Outer Hexagon Bolt Kits (2)** and tighten them.

## STEP2



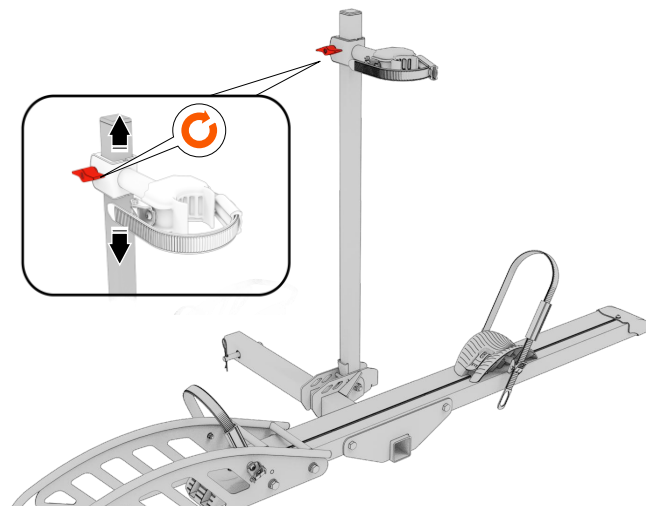
Place the components assembled in steps 1 above into the **Bottom Fixing Bracket (6)**, align the holes, install 2pcs **M10 Long Outer Hexagon Bolts (4)** and 2pcs **M10 Lock Nuts (5)**, and tighten the bolts.

### STEP3



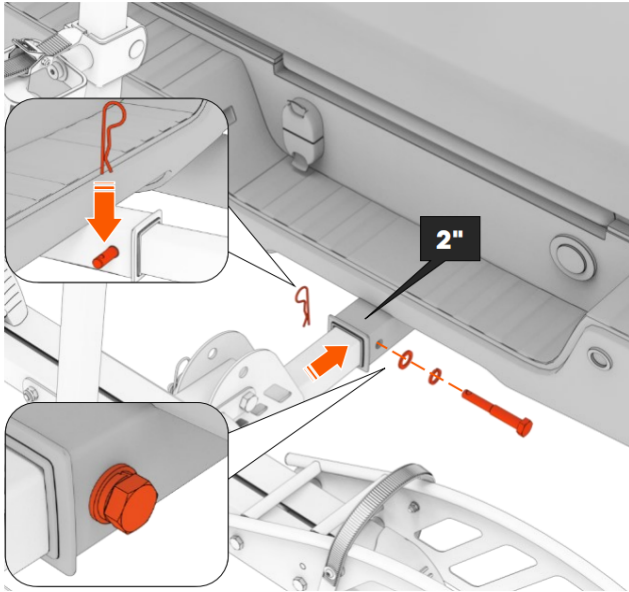
Insert the **Support Rod (7)** into the **Bottom Fixing Bracket (6)**, align the holes, place the **Semicircle Plates (15)** on both sides of **Support Rod (7)**, install the **M10 Low Square Neck Bolt (8)** and the **M10 Lock Nut (5)**, and tighten them until the support rod does not move.

### STEP4



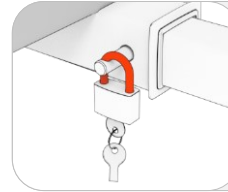
Insert the adjustable **Connecting Block (9)** into the **Support Rod (7)**, and properly tighten the knob so that it does not slide down.

## STEP5



Align the holes of the folding tube with the holes on the vehicle's **2" hitch receiver**, then connect the two parts as shown below. Place a **M16 shockproof bolt (10)**, through the **φ16 Spring Washer (11)**, **φ16 Flat Washer (12)** and the aligned holes. Screw the bolt in place by Monkey Wrench (Not included) and secure it

with the **φ3.8 pin (13)**, making sure to place the pin through the holes on the bolt.

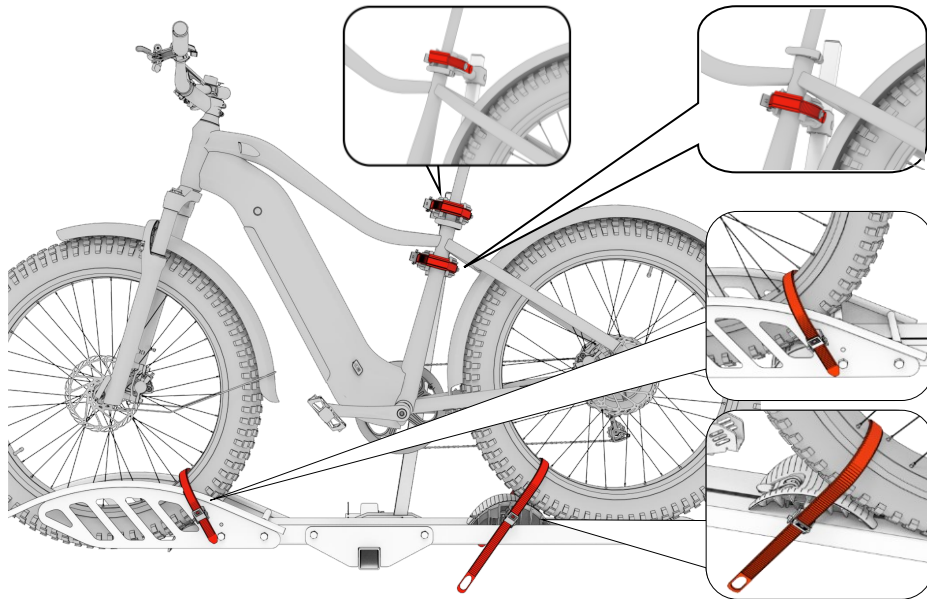


- ❗ The diameter of lock beam should be less than **7mm**.
- ❗ The lock is not included.

## Bike Installation Instructions

⚠ Before placing the bike, stand up the support rod in the middle, snap the front tire of the ebike into the front wheel holder, place the rear tire in the beam, and then use the ratchet wheel straps to fix the front wheel, rear wheel, and seat/middle tube of the bike as shown in the figure below.

⚠ It's generally recommended that using the ratchet wheel strap to fix the seat/middle tube. Please DO NOT strap the locations outside the designated seat/middle tube.



**Note:** Use the ratchet wheel strap to fix and tighten the seat/middle tube of the bike.

Buyer should take full responsibility if any damage is caused by the lack of securing the seat tube well and being clamped in a location other than the seat/middle tube.

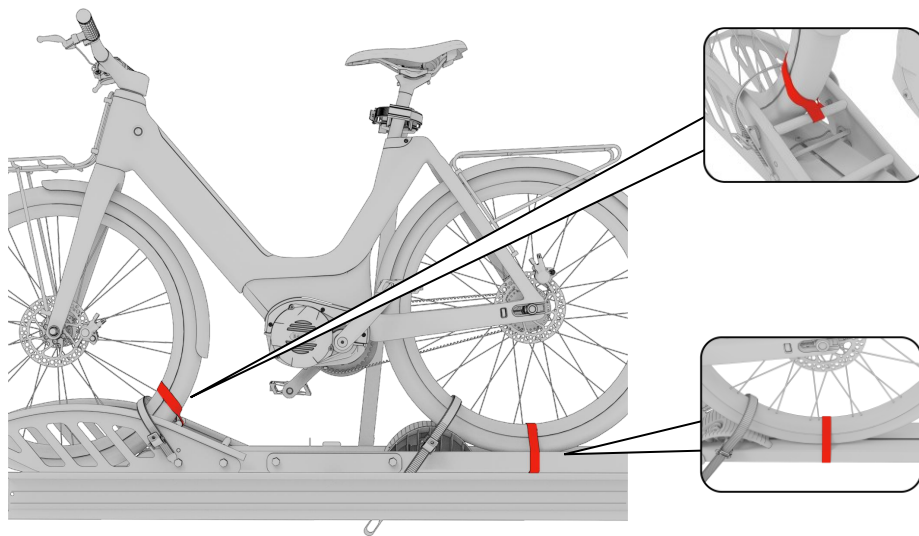
**Note:** Use the ratchet wheel strap to fix and tighten the front wheel of the bike.

**Note:** The rear tire fixing seat needs to be placed in front of the rear wheel.

## Bike Installation Instructions (tire width < 2.5")

❗ If your tire width is less than 2.5", please use velcros to fasten the front and rear tires.

❗ Only 2pcs of **Velcros(14)** are required to fix the tires, the rest are for spare.

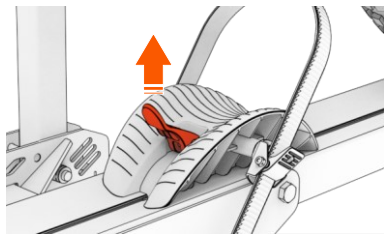


**Note:** The velcro fixes the front tire as illustrated

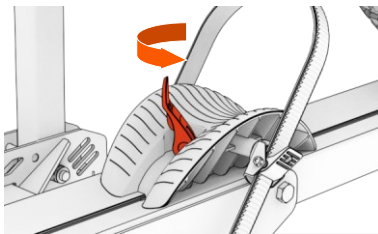
**Note:** The velcro fixes the rear tire as illustrated



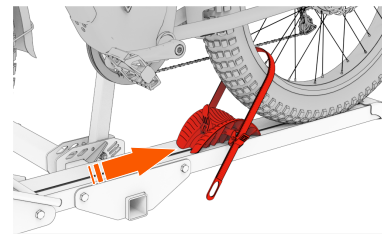
## How to Adjust the Wheel Cradle



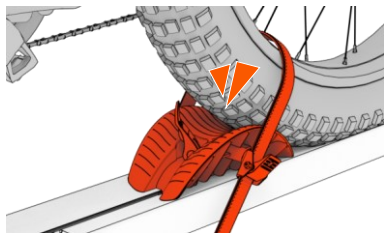
1. Pull the cam gear



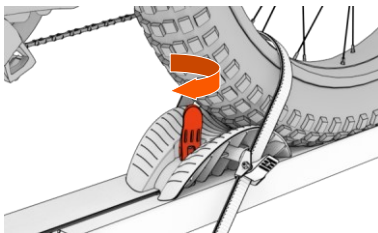
2. Turn in counterclockwise



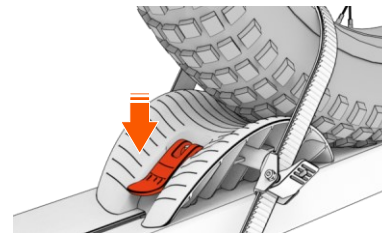
3. Slide it



4. Until it is against the tire

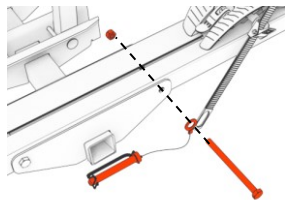


5. Fix by turning clockwise

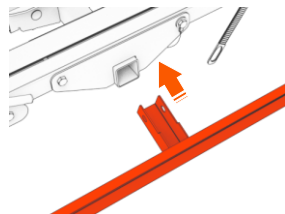


6. Press it down

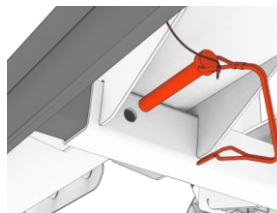
## How to Use the Ram



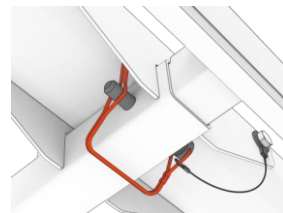
1. Fix the buckle to the  
rack



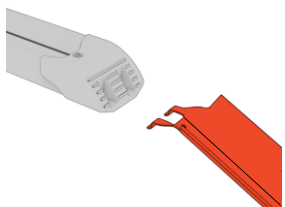
2. Insert the ramp



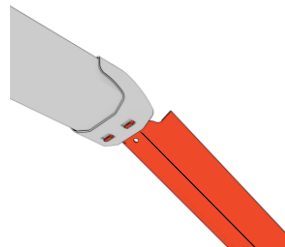
3. Insert the  
quick-release pin



4. Fix the quick-release  
pin



5. Confirm the direction  
of ramp

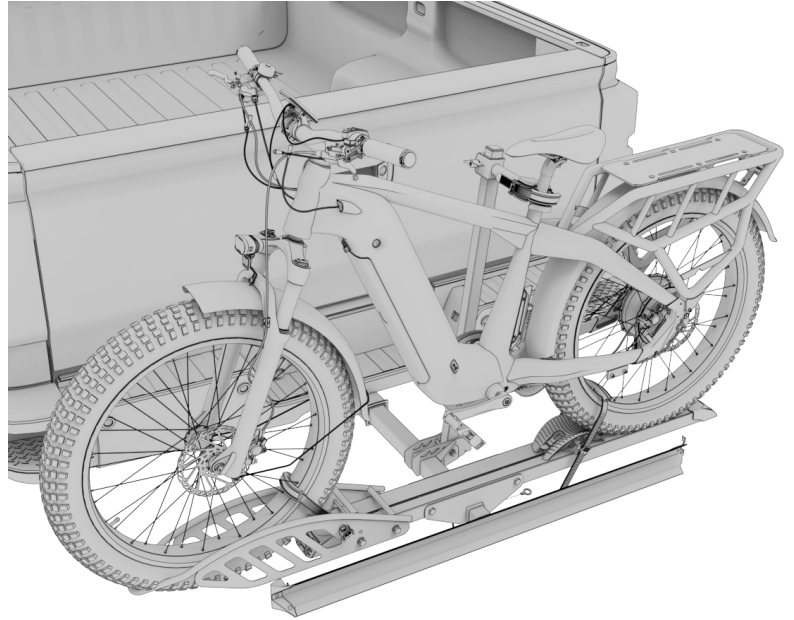


6. Insert the ramp to the  
bike rack

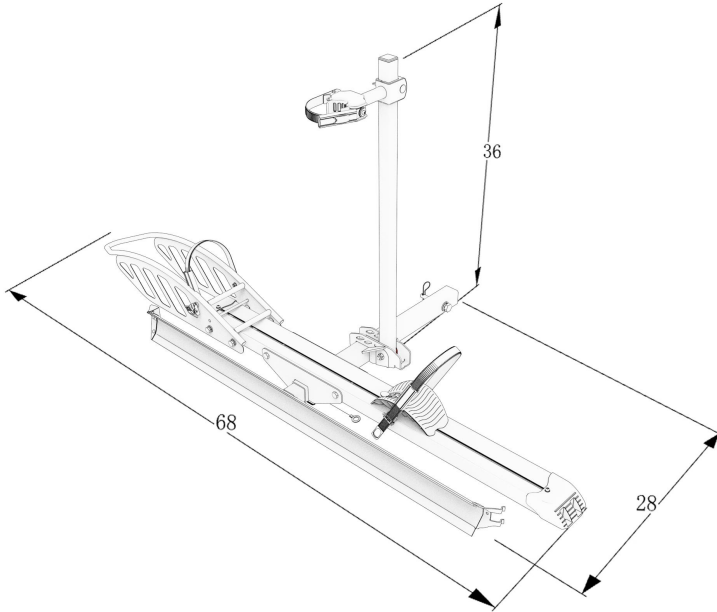


7. Push the bike up  
along the ramp

**YOU ARE  
ALMOST  
THERE!**



## Dimension



## Technical Specifications

- Maximum Load: Bike under 100LBS
- Maximum bike wheelbase 50"
- Applicable Types of Hitched Bike: Electric Bike/Regular Bike
- Not intended for use with mopeds, motorcycles or 3 wheels bikes
- Applicable for tires width within 5", extra velcros (included) need to be applied for tires within 2.5"

|                                |                                |
|--------------------------------|--------------------------------|
| <b>Model Name</b>              | YOUNG ELECTRIC Sole R          |
| <b>Description</b>             | 2" Hitch 1-Bike Rack with Ramp |
| <b>Material</b>                | Aluminum & Steel               |
| <b>Maximum Weight Capacity</b> | 100lbs                         |
| <b>Applicable Vehicles</b>     | Vehicles with 2" receiver      |
| <b>Package Size</b>            | 55.9x13.9x8.3in                |
| <b>Package Weight</b>          | 45.1lbs                        |

## ⚠️ WARNINGS ⚠️

- Do not overload beyond the bike rack's weight capacity of 100lbs.
- Do not carry more than 1 bike on the carrier.
- The bike rack is not intended for transporting humans or animals.
- If you are planning to load only one bike, it is recommended to place it in the position closest to the vehicle.
- All bikes must be secured properly before operating the vehicle.
- Make sure the front of the bike, when mounted, is at or above the bottom of the bumper to avoid damage to the bike(s).
- Do not carry flammable items on the bike rack.
- If using the bike rack to transport electric bikes, please remove the batteries from the bikes prior to transporting them. This will help reduce the weight supported by the carrier.
- During long trips, frequently check the straps and bike position, especially if traveling on rough terrain.
- Please do not make alterations to the product, as it can pose potential hazards to your safety.
- Failure to heed these warnings may result in personal injury and/or property damage.
- To prevent serious injury or death, inspect the bike rack for any signs of wear, corrosion and fatigue before each use. Do not use the bike rack if parts are bent, broken, deformed or missing. If parts are bent, broken, damaged or missing, remove the rack from your vehicle before operating the vehicle.

## **Young Electric Warranty Policy**

Young Electric is committed to providing our customers with a quality shopping experience, for the products we sell, we provide a 1-year warranty from the date of purchase, which includes non-artificial product defects. This warranty does not cover issues caused by normal wear and tear including (but not limited to) weather, scratches, dents, rust, accidents, unlawful vehicle operation, misuse, abuse, neglect, theft, unauthorized modifications, or unauthorized repair.

Please strictly follow the instructions on how to use it, no warranty and responsibility are provided for defects caused by improper fit, improper vehicle installation, installation on an "unsuitable" vehicle, incorrect installation of the bike on the rack, or overloading of the weight limit of the rack. This warranty terminates if the purchaser transfers the product to any other person.

If a product is believed to be defective, the purchaser should directly contact Young Electric Team at 888-933-8899 or through [support@youngelectricbikes.com](mailto:support@youngelectricbikes.com)

Disclaimer of Liability: Repair or replacement of a defective product or the issuance of a refund or credit (as determined by Young Electric) is a purchaser's exclusive remedy under this warranty.

Young Electric shall not be liable for any direct, indirect, consequential, incidental, special, punitive or any other damages in connection with the purchase, use or handling of this product.

Some states do not allow the exclusion or limitation of consequential or incidental damages, and the above limitation may not apply to you. This Limited Warranty gives you specific legal rights, and you may have other rights that vary from state to state.

# THANK YOU FOR CHOOSING A YOUNG ELECTRIC HITCH BIKE RACK!

YOUNG ELECTRIC Bike racks are designed to make your bicycles well hitched with stability & safety. Carefully read this Owner's Manual before assembly, it will give you all the information necessary for assembly and adjusting.

YOUNG ELECTRIC works hard to guarantee you a bike rack that is properly assembled and correctly adjusted when it leaves our factory. Please contact our Help Center if you still have any questions after reading this manual. Our customer service staffs are ready to answer questions regarding assembly, performance, operation, service parts or other general services.

Email: [support@youngelectricbikes.com](mailto:support@youngelectricbikes.com)

Keep this Owner's Manual in a safe place for future reference. All content in this manual is subject to change as we continually work to refine our products.

This manual contains warnings, cautions, and notes, therefore please carefully read all of this information for your safety. Give special attention to any information that has a warning or caution symbol before or next to it. Also, pay attention to any information preceded by NOTICE as this will be important information that may be related to safety.

Always properly maintain and care for your bike rack so original quality and safety are retained.

## **Get Support**



<https://youngelectricbikes.com>  
[support@youngelectricbikes.com](mailto:support@youngelectricbikes.com)  
Toll Free Number: 888-933-8899



**YOUNE**  
*Electric*

VERSION:24.01.25