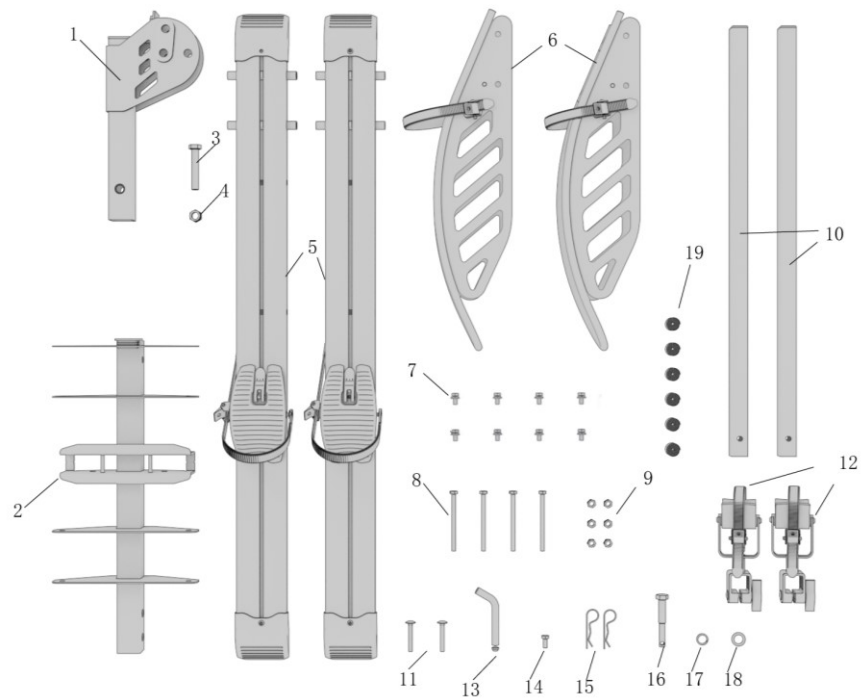


YOUNG
Electric

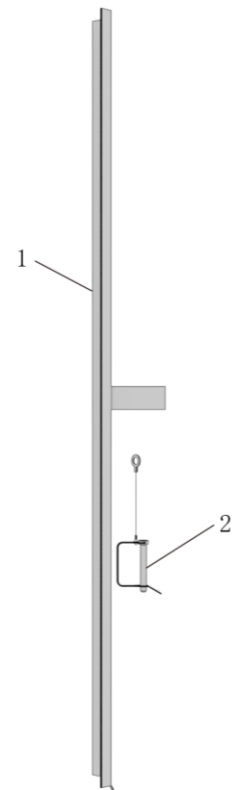
MANUAL

Hitch Bike Rack - MATE R

Parts for bike rack



Parts for ramp



Parts List for bike rack

Part#	Description	Qty
1	Rotating Group	1
2	Bottom Fixing Bracket	1
3	M16*85 Outer Hexagon Bolt	1
4	M16 Lock Nut	1
5	Beam Assembly	2
6	Front Wheel Holder	2
7	M10*25 Outer Hex Bolt Kit	8
8	M10*120 Outer Hexagon Bolt	4
9	M10 Lock Nut	6
10	Middle Support Tube	2
11	M10*60 Bolt	2
12	Connecting Block	2
13	φ16 Ben Pin	1
14	M10 Short Hexagon Bolts	1
15	φ3.8 Pin	2
16	M16 Shockproof Bolt	1
17	φ16 Spring Washer	1
18	φ16 Flat Washer	1
19	Velcro	6

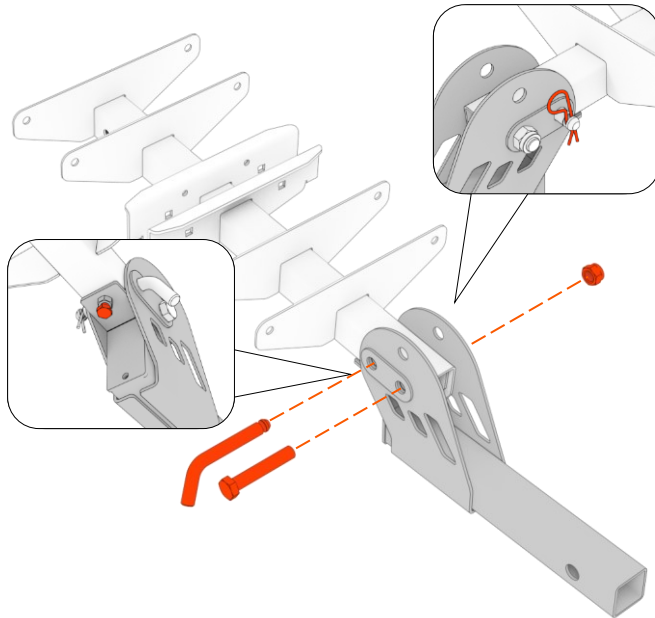
Parts List for ramp

Part#	Description	Qty
1	Ramp	1
2	Quick-release pin	1

Required Tools (Not included)

Name	Imperial	Metric
Monkey Wrench	12"	300mm
Open Wrench	7/16"	11mm
Open Wrench	11/16"	17mm

STEP1

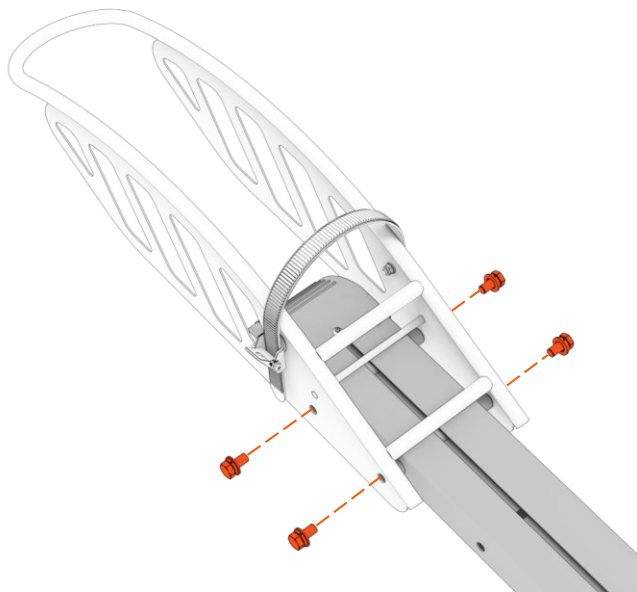


Align the **Bottom Fixing Bracket(2)** with the hole of the **Rotating Group (1)**, insert the **M16*85 Outer Hexagon Bolt (3)** into the hole at the bottom, and then screw on the **M16 Lock Nut (4)**. Insert the **16 Bent Pin(13)** and the **φ3.8 Pin (15)** at the same time, and use the **M10 Short Hexagon Bolts (14)** to screw into the **Bottom Fixing Bracket (2)** as shown in the figure to eliminate

the gap between the **Bottom Fixing Bracket (2)** and the **Rotating Group(1)**.

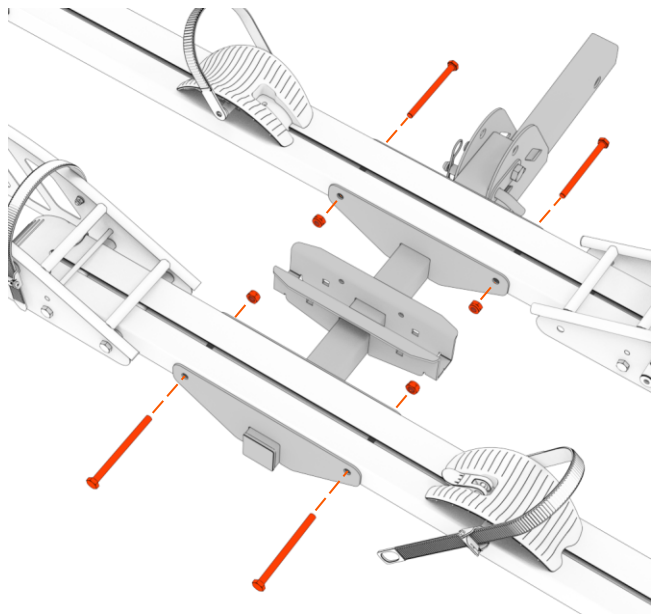
Note: Do not overtighten the bolts to prevent the **Bottom Fixing Bracket (2)** and the **Rotating Group (1)** components from rotating easily.

STEP2



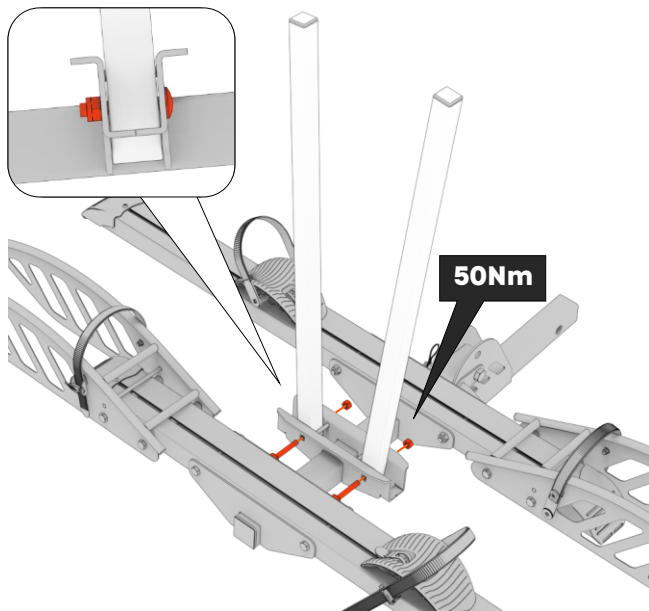
Align the holes from the **Front Wheel Holder (6)** and the **Beam Assembly (5)**. Then fix them with the **M10*25 Outer Hex Bolt Kit (7)**.

STEP3



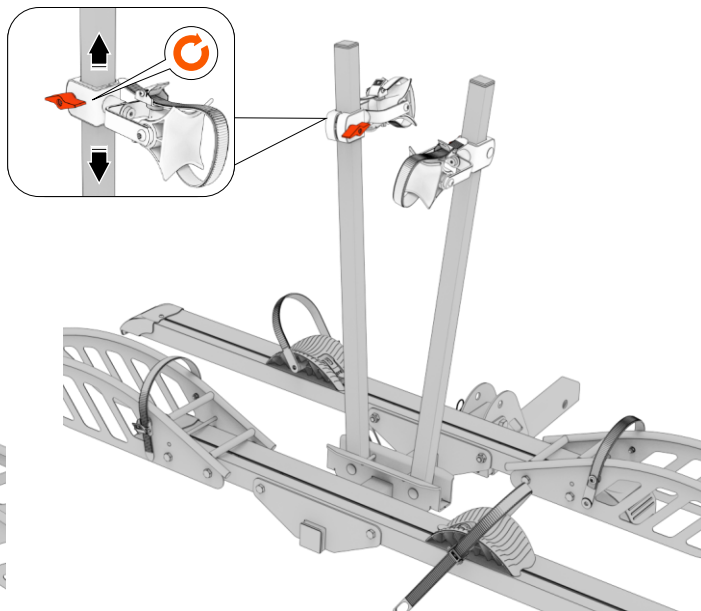
Place the components assembled in steps 2 above into the **Bottom Fixing Bracket (2)**, align the holes, install 4pcs **M10*120 Outer Hexagon Bolt (8)** and 4pcs **M10 Lock Nut (9)**, and tighten the bolts.

STEP4



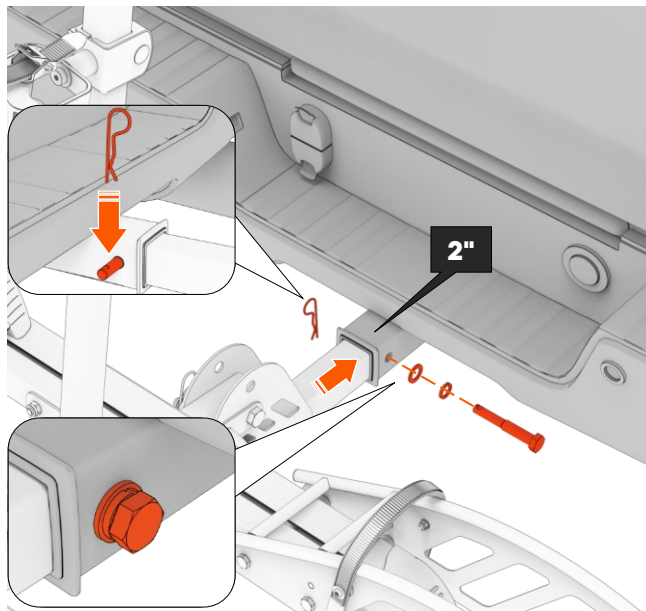
Insert the **Middle Support Tube (10)** into the base of the **Bottom Fixing Bracket (2)**, then fix them with the **M10*60 Bolt (11)** and the **M10 Lock Nut (9)**.

STEP5



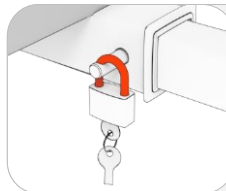
Install the adjustable **Connecting Block (12)** to the **Middle Support Tube (10)**, then tighten the knob from the **Connecting Block (12)**.

STEP6



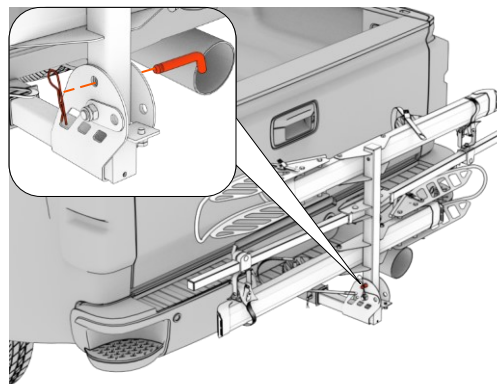
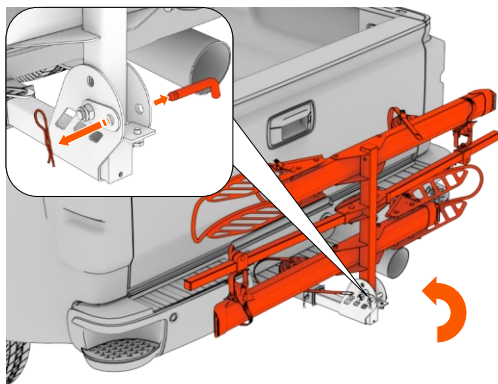
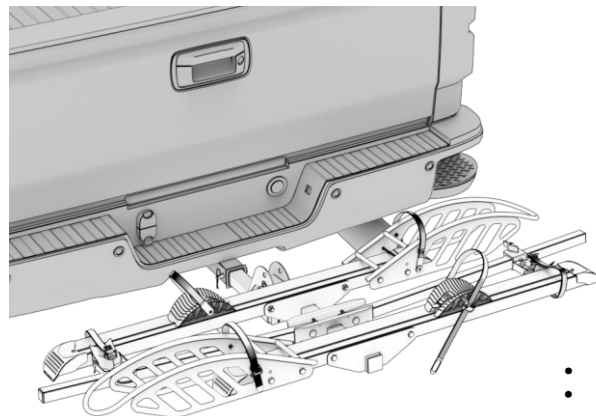
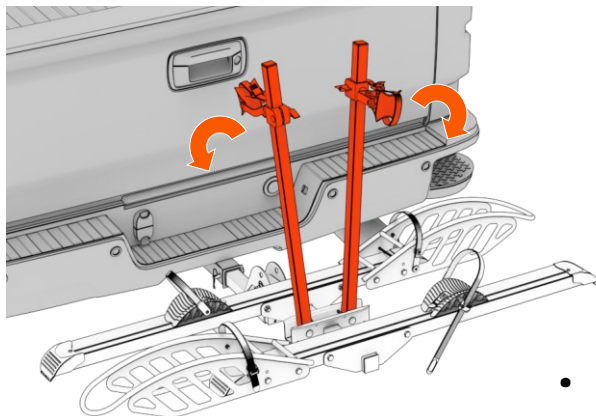
Align the holes of the folding tube with the holes on the vehicle's **2" hitch receiver**, then connect the two parts as shown below. Place an **M16 Shockproof Bolt (16)**, through the **φ16 Spring Washer (17)**, **φ16 Flat Washer (18)** and the aligned holes. Screw the bolt in place by Monkey Wrench (Not included) and secure it

with the **φ3.8 pin (15)**, making sure to place the pin through the holes on the bolt.



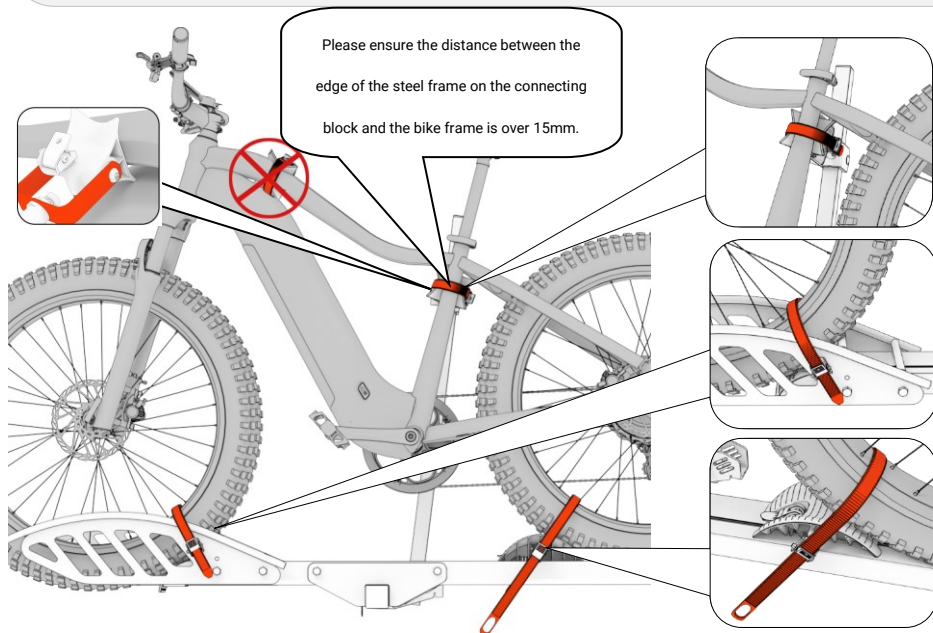
- ❗ The diameter of lock beam should be less than **7mm**.
- ❗ The lock is not included.

Folding Steps



Bike Installation Instructions

- ❗ Snap the front tire of the ebike into the front wheel holder, place the rear tire in the beam, and then use the ratchet wheel straps to fix the front wheel, rear wheel, and seat tube of the bicycle as shown in the figure below.
- ❗ Please place one bike on the side which is close to the vehicle first, and install the **Connecting Block (12)** after the bike is fixed.
- ❗ It's generally recommended that using the ratchet wheel strap to fix the crossbar (if applicable) or the middle tube (or seat post). Considering that some electric bikes have thicker downtubes, please do not strap the downtube.



Note: Use the ratchet wheel strap to fix and tighten the seat tube, middle tube, or the position of the crossbar near the seat tube/middle tube of the bicycle.

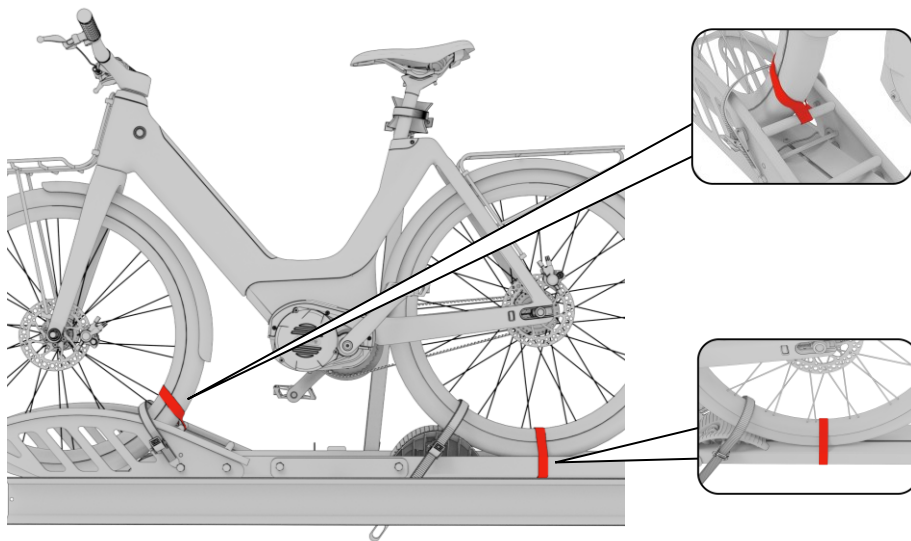
Note: Use the ratchet wheel strap to fix and tighten the front wheel of the bicycle.

Note: The rear tire fixing seat needs to be placed in front of the rear wheel.

Bike Installation Instructions (tire width < 2.5")

! If your tire width is less than 2.5", please use velcros to fasten the front and rear tires.

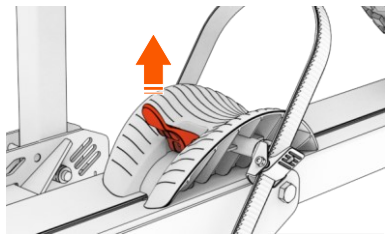
! Only 4pcs of **Velcro(19)** are required to fix the tires, the rest are for spare. Please keep the fixing method of velcro the same for the bike on the other side.



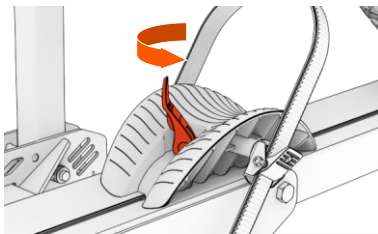
Note: The velcro fixes the front tire as illustrated

Note: The velcro fixes the rear tire as illustrated

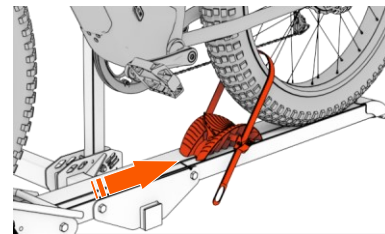
How to Adjust the Wheel Cradle



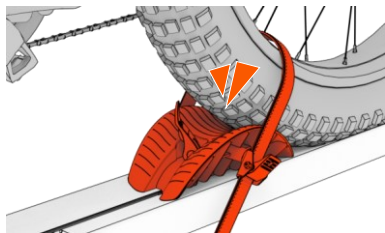
1. Pull the cam gear



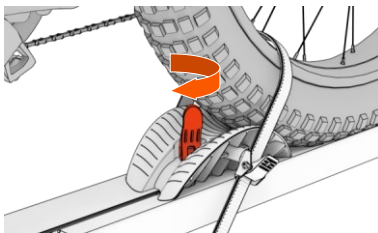
2. Turn in counterclockwise



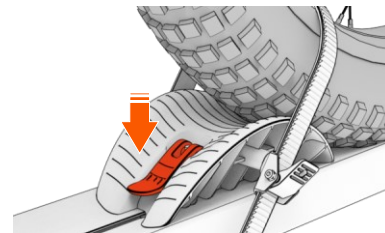
3. Slide it



4. Until it against the tire

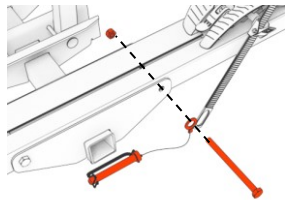


5. Fix by turning clockwise

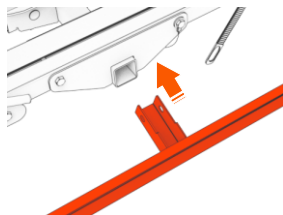


6. Press it down

How to Use the Ramp



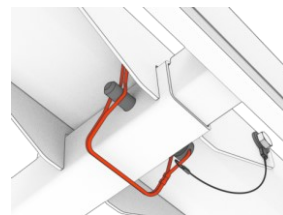
1. Fix the buckle to the
rack



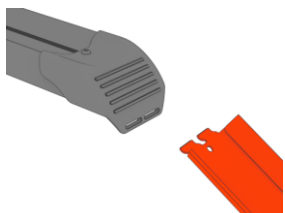
2. Insert the ramp



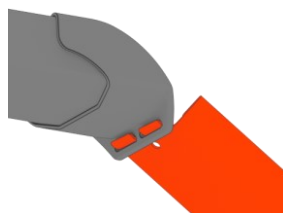
3. Insert the
quick-release pin



4. Fix the quick-release
pin



5. Confirm the direction
of ramp

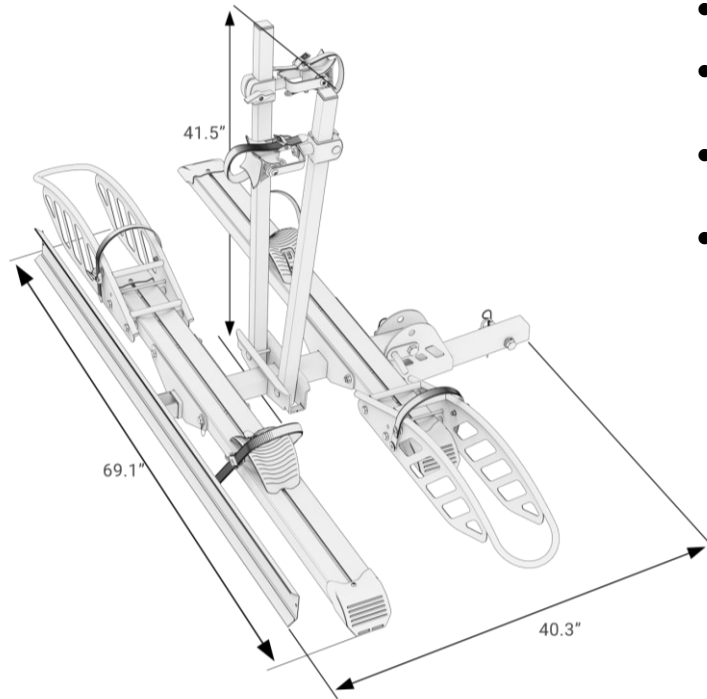


6. Insert the ramp to the
bike rack



7. Push the bike up
along the ramp

Dimension



Technical Specifications

- Maximum Load: Bicycle under 200LBS
- Maximum bicycle wheelbase 50"
- Applicable Types of Hitched Bike: Electric Bike/Regular Bike
- Not intended for use with mopeds, motorcycles or 3 wheels bikes
- Applicable for tires width within 5", extra velcros (included) need to be applied for tires within 2.5"

Model Name	YOUNG ELECTRIC Mate R
Description	2" Hitch 2-Bike Rack with Ramp
Material	Aluminum & Steel
Maximum Weight Capacity	200lbs
Applicable Vehicles	Vehicles with 2" receiver
Package Size	54.6x18.6x8.7in
Package Weight	79.4lbs

⚠️ WARNINGS ⚠️

- Do not overload beyond the bike rack's weight capacity of 200lbs.
- Do not carry more than 2 bikes on the carrier.
- The bike rack is not intended for transporting humans or animals.
- If you are planning to load only one bike, it is recommended to place it in the position closest to the vehicle.
- All bikes must be secured properly before operating the vehicle.
- Make sure the front of the bike(s), when mounted, are at or above the bottom of the bumper to avoid damage to the bike(s).
- Do not carry flammable items on the bike rack.
- If using the bike rack to transport electric bicycles, please remove the batteries from the bicycles prior to transporting them. This will help reduce the weight supported by the carrier.
- During long trips, frequently check the straps and bike position, especially if traveling on rough terrain.
- Please do not make alterations to the product, as it can pose potential hazards to your safety.
- Failure to heed these warnings may result in personal injury and/or property damage.
- To prevent serious injury or death, inspect the bike rack for any signs of wear, corrosion and fatigue before each use. Do not use the bicycle rack if parts are bent, broken, deformed or missing. If parts are bent, broken, damaged or missing, remove the rack from your vehicle before operating the vehicle.

Young Electric Warranty Policy

Young Electric is committed to providing our customers with a quality shopping experience, for the products we sell, we provide a 2-year warranty from the date of purchase, which includes non-artificial product defects. This warranty does not cover issues caused by normal wear and tear including (but not limited to) weather, scratches, dents, rust, accidents, unlawful vehicle operation, misuse, abuse, neglect, theft, unauthorized modifications, or unauthorized repair.

Please strictly follow the instructions on how to use it, no warranty and responsibility are provided for defects caused by improper fit, improper vehicle installation, installation on an "unsuitable" vehicle, incorrect installation of the bike on the rack, or overloading of the weight limit of the rack. This warranty terminates if the purchaser transfers the product to any other person.

If a product is believed to be defective, the purchaser should directly contact Young Electric Team at 888-933-8899 or through support@youngelectricbikes.com

Disclaimer of Liability: Repair or replacement of a defective product or the issuance of a refund or credit (as determined by Young Electric) is a purchaser's exclusive remedy under this warranty.

Young Electric shall not be liable for any direct, indirect, consequential, incidental, special, punitive or any other damages in connection with the purchase, use or handling of this product.

Some states do not allow the exclusion or limitation of consequential or incidental damages, and the above limitation may not apply to you. This Limited Warranty gives you specific legal rights, and you may have other rights that vary from state to state.

Get Support



<https://youngelectricbikes.com>

support@youngelectricbikes.com

Toll Free Number: 888-933-8899

YOUNG
Electric