

| Wire Color | Power | Function 1 | Function 2 |
|------------|----------------------|-------------------------|---------------------------------|
| Red | +12VDC Trigger #1 | Projection Beam - White | Projection Beam Mix Amber/White |
| White | +12VDC Trigger #2 | Projection Beam - Amber | |
| Black | -12VDC Shared ground | Ground | Ground |

*2 switches needed. NACHO Harness part #AC11N

Bracket to Light Steps

Push the plastic mount bushings **C** into lamp housing; fits between mounting bracket and housing.

1. housing; fits between mounting bracket and housing.

Align mounting bracket **D** to lamp; bracket can be flipped either direction based on mounting application.

2. can be flipped either direction based on mounting application.

Insert (2) mounting bolts **A** with (4) flat washers **B** and (2) nylock nuts **F** as shown; Final torque once aimed properly.

3. **B** and (2) nylock nuts **F** as shown; Final torque once aimed properly.

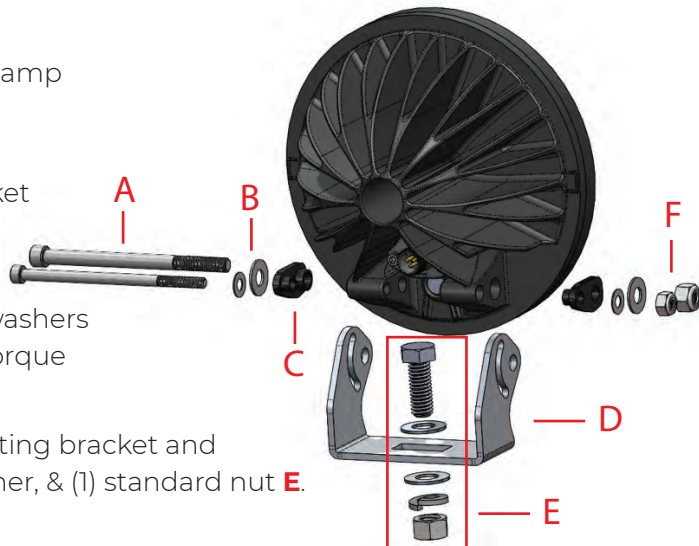
Insert 3/8" mounting bolt through mounting bracket and secure using (2) flat washers, (1) lock washer, & (1) standard nut **E**.

4. Insert 3/8" mounting bolt through mounting bracket and secure using (2) flat washers, (1) lock washer, & (1) standard nut **E**.

5. Aim lamp properly prior to final torque.

6. Please use the provided thread lube on mounting bolts **A** prior to installing the nuts.

7. Post your new set up, tag @thenachoexperience and enjoy!



AMBER WHITE

TM5