



26 CC

2.6 kW | Air Heater

| | |
|------------------------------------|--|
| Power: | 900 – 2600 W / 3,000-8,800 BTU |
| Operating Voltage: | 12 V |
| Fuel Consumption: | 0,09-0,26 l/h / 3.17-9.15 oz/h |
| Electricity Consumption: | 0,2-0,4 A |
| EU Energy Efficiency Index: | A |
| Colors: | Graphite Gray, Winter White |
| Room Size: | 40-60 m ² / 430-646 ft ² |
| Recommended Use: | Cottages, houseboats, container houses |



40 CC

4 kW | Air Heater

| | |
|------------------------------------|--|
| Power: | 1600-4000 W / 5,400-13,600 BTU |
| Operating Voltage: | 12 V |
| Fuel Consumption: | 0,16-0,40 l/h / 5.4-13.5 oz/h |
| Electricity Consumption: | 0,2-0,4 A |
| EU Energy Efficiency Index: | A |
| Colors: | Graphite Gray, Winter White |
| Room Size: | 60-90 m ² / 645-970 ft ² |
| Recommended Use: | Cottages, houseboats, container houses |

PI THERMO

THERMOSTATIC | Control Panel

- Use heater in **Thermostatic Mode** to set a desired indoor temperature and the thermostat will maintain a smooth ambient temperature.
- Switch to **Manual Mode**, when you prefer to control heating power with knob with simple rheostat.
- **High Altitude Mode** must be set to adjust the combustion, if heater is installed 1300 m (4,200 ft) above sea level.



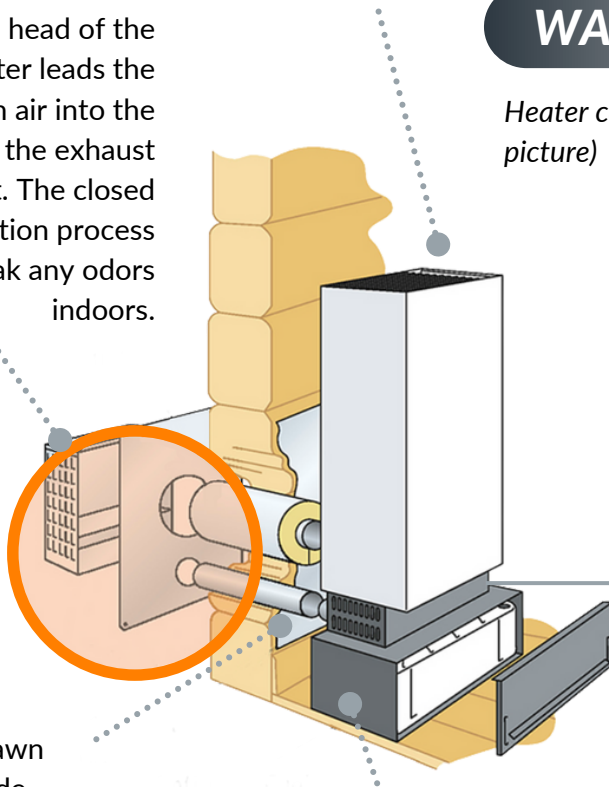


ENJOY A SMOOTH AMBIENT TEMPERATURE

THE GREENBOOST BURNER BURNS RENEWABLE FOSSIL-FREE DIESEL CLEANLY AND ENERGY-EFFICIENTLY

Warm air rises quietly into the space.

The flue gas head of the heater leads the combustion air into the heater and the exhaust gases out. The closed combustion process does not leak any odors indoors.

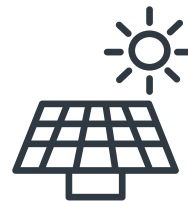


Inlet air is drawn in from outside with a fan.

Fuel can be stored in a socket case under the unit or underneath the cottage.

WALL INSTALLATION

Heater can be installed with Wall Installation (in the picture) or Chimney Installation (see next page).



Solar panel recharges the 12 V battery.



12 V battery as a power source.

Alternatively, the unit can be used in 110/230 V network with a 12 V converter.

FEATURES

- Fully enclosed laminar burning process warms up the cottage and dries the indoor air with no exposed flame.
- Low temperature on unit case improves everyone's safety.
- The laminar free convection heat rises up from the top of the heater.
- Very low electricity and fuel consumption.
- Brushless blower motors have a very long life-cycle, supporting reliably long service intervals.
- Thermostat controlled heater maintains a smooth temperature and keeps everyone comfortable.



Choose from two beautiful colors:

- Graphite Gray
- Winter White



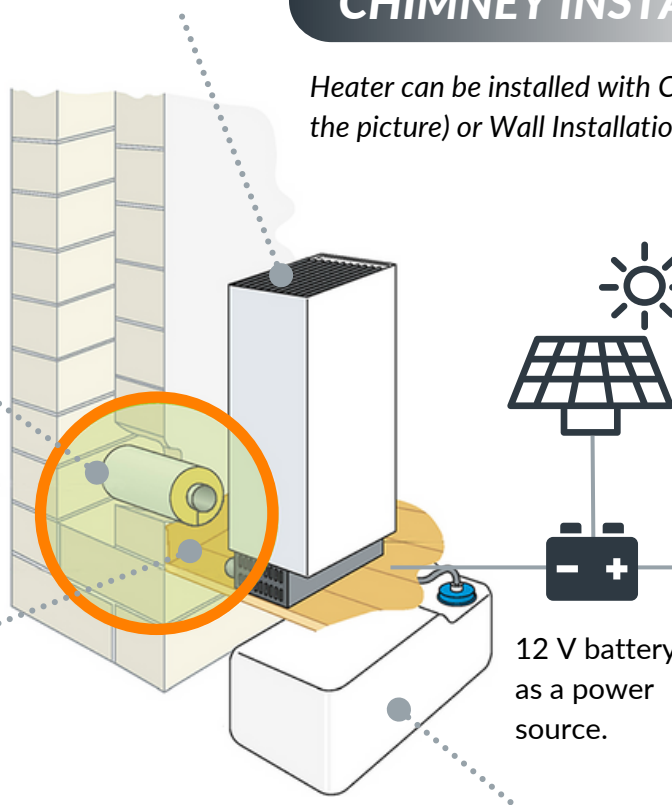
QUIET HEATER ENSURES A GOOD NIGHT'S SLEEP

EXTREMELY ENERGY-EFFICIENT HEATER SAVES FUEL AND ELECTRICITY

Warm air rises quietly into the space.

The flue gas head of the heater leads the combustion air into the heater and the exhaust gases out. The closed combustion process does not leak any odors indoors.

In the chimney installation, inlet air is taken from inside the cottage or from outside through the floor if the construction of the building allows it.



CHIMNEY INSTALLATION

Heater can be installed with Chimney Installation (in the picture) or Wall Installation (see previous page).

Solar panel recharges the 12 V battery

Alternatively, the unit can be used in 110/230 V network with a 12 V converter

12 V battery as a power source.

Fuel can be stored in a socket case under the unit or underneath the cottage.

REMOTE CONTROL

- Turn on the heater remotely on a PC or mobile device in the LTE / 4G network and enjoy a pre-heated cottage.
- Remote control also allows you to check the temperature inside the cottage or the heater battery voltage from distance.
- Pre-heating the cottage remotely saves time and keeps the whole family pleased.
- The device needs to be installed with a SIM card with a data package for connection.

4430 Remote Control for more options

Learn more at wallas.com

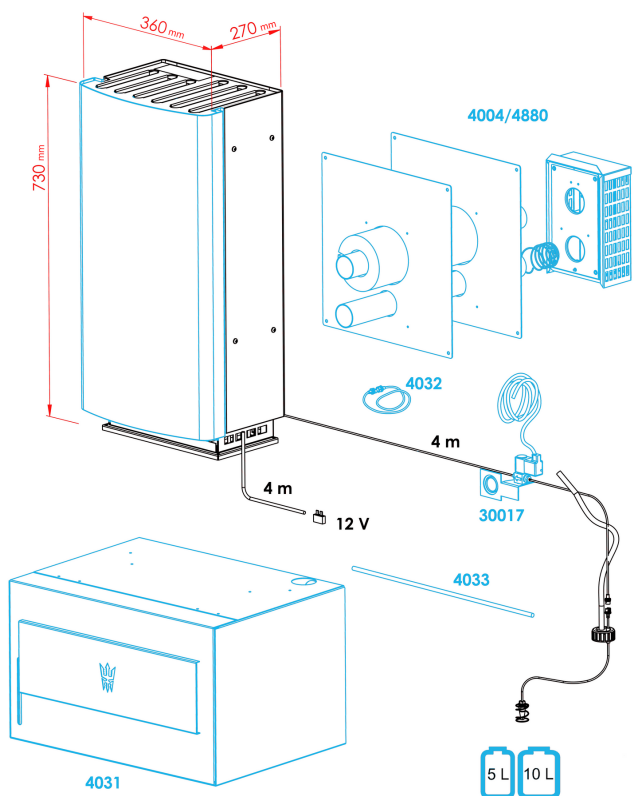
26 CC

2.6 kW | Air Heater

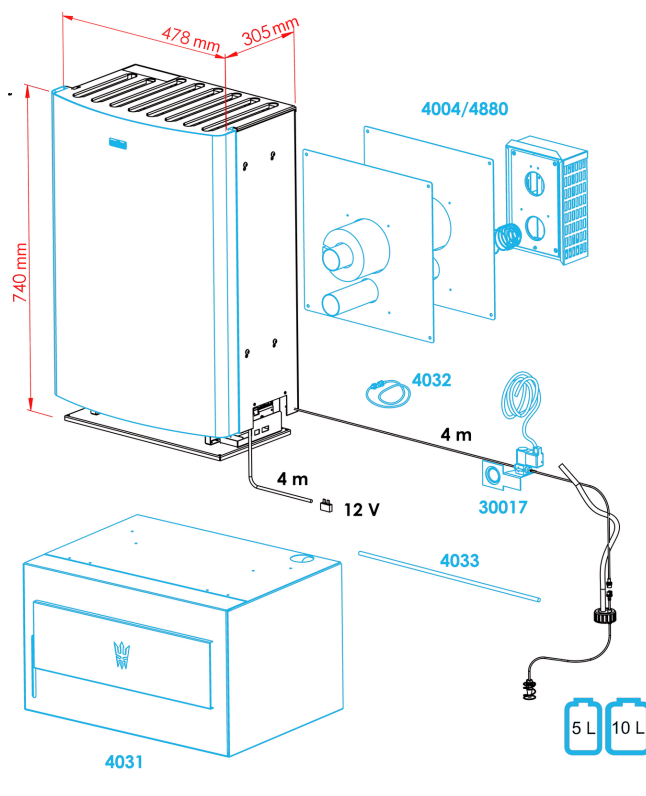
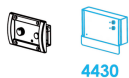


40 CC

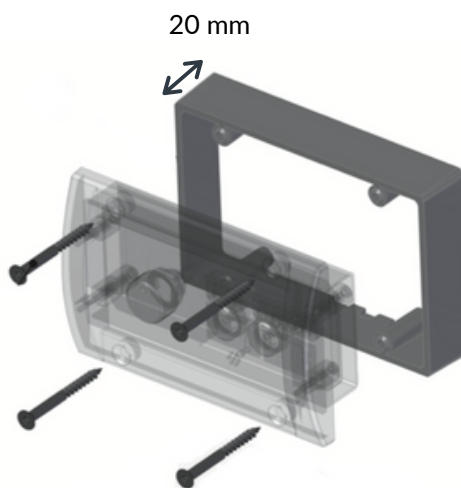
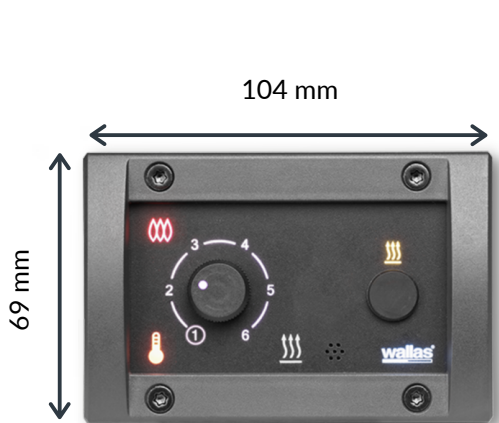
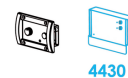
4 kW | Air Heater



Weight 18.5 kg



Weight 25 kg



Total width:
 Flush mounted 12 mm
 Surface mounted 32 mm



Accessories in black come with the standard package. Accessories in blue are additional/optional. The calculated values are measured in a reference measurement wall, which is constructed to represent a typical cottage installation. The figures allow for 10 % reserve - yours may vary.

All rights reserved. Wallas-Marin reserves the right to change or improve its products and to make changes in the content of this catalogue without obligation to notify any person or organization of such changes or improvements. Go to www.wallas.com for current updates and supplemental information concerning these products.



wallas.com