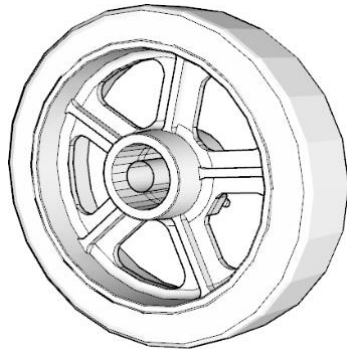


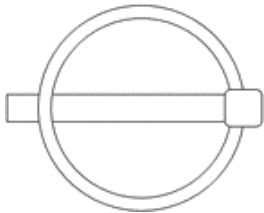
Wheelset Fixing Kit

Version 1.0



Wheels

Qty 2



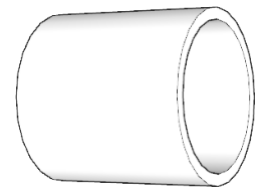
Linchpin

Qty 2



Large washer

Qty 4



Large spacer

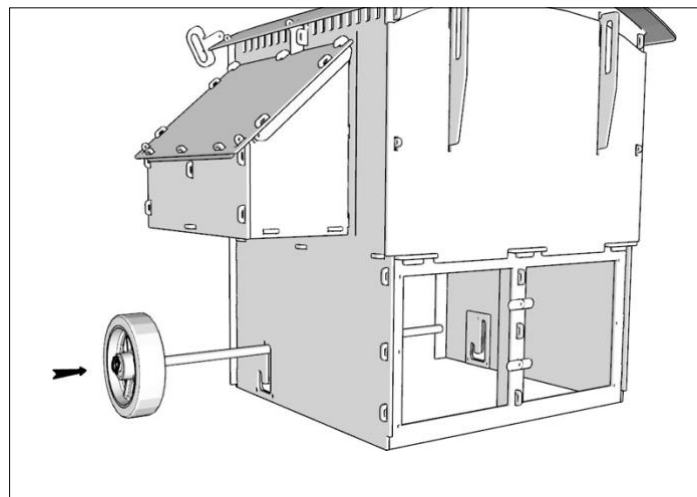
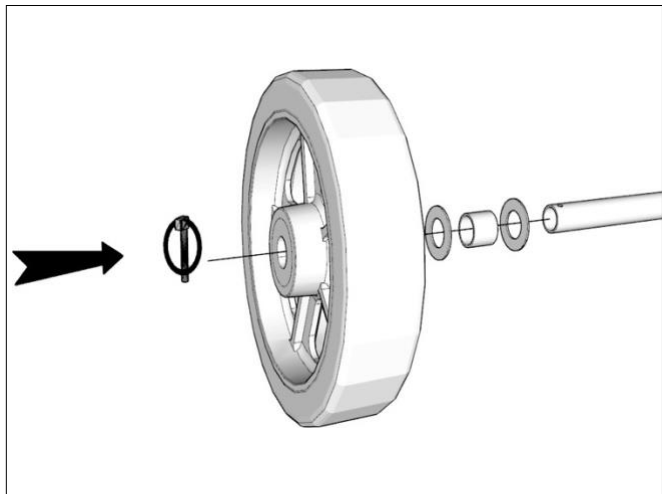
Qty 2



Axle

Qty 1

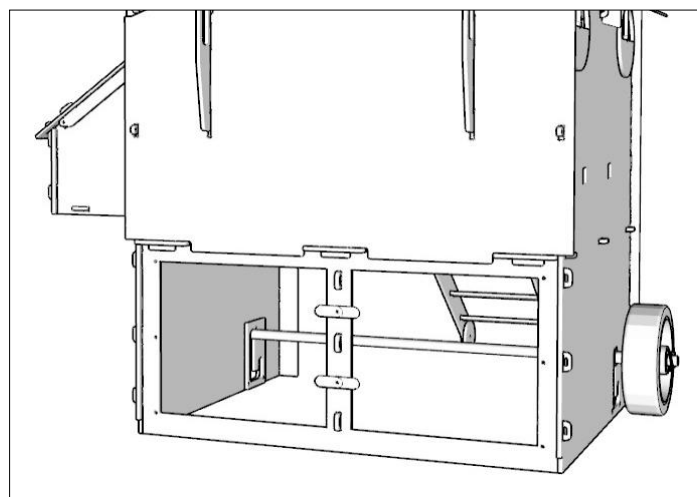
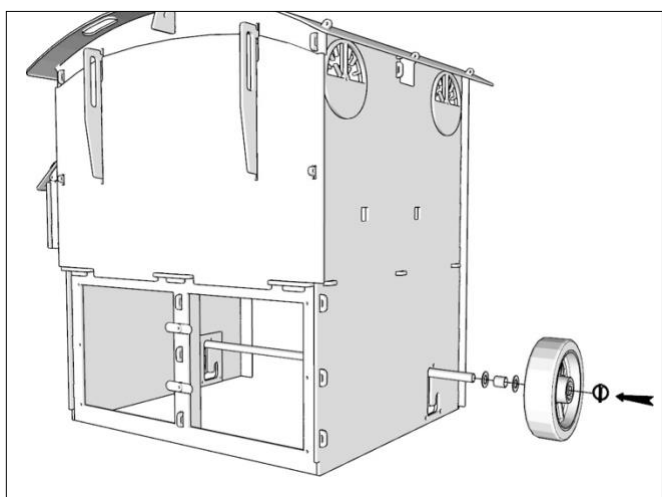
How to fit your wheelset



1 Slide a Large washer on to the Axle, followed by a Large spacer, then a second washer. Push the Wheel on to the Axle and slide the Linchpin through the hole provided.

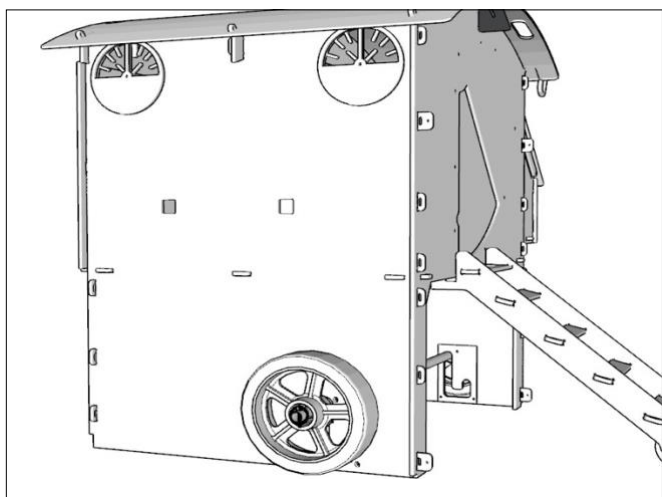
You only need to lift the ring slightly up from the bar. Linchpins are designed to spring closed, so watch your fingers!

2 Push the Axle with one Wheel attached through your coop from the nest box side until it appears out through the other side of the coop.

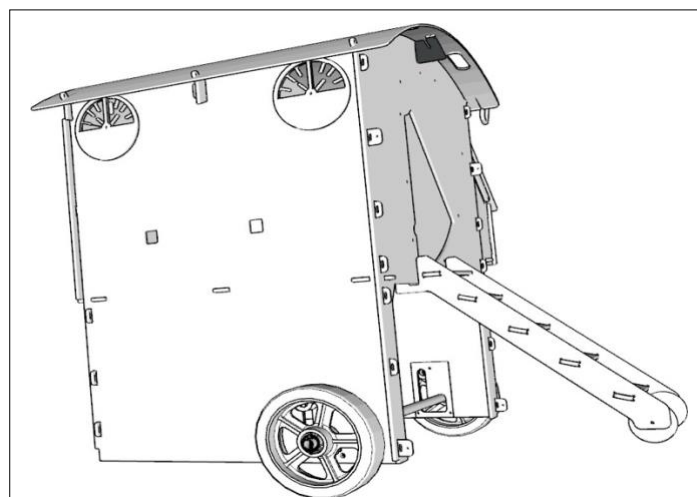


3 Attach the other Wheel to the Axle as per Step 1. You may need someone to hold the other side of the Axle so you can fit the other fixings with ease.

Your coop is now ready to be wheeled around.



Chicken coop in wheels-down position, ready to attach your chicken run, if purchased.



Chicken coop wheels in raised position ready to be moved around your garden or outdoor space.