

NESTERA

How to Assemble, Use and Care for your
Chicken Wagon

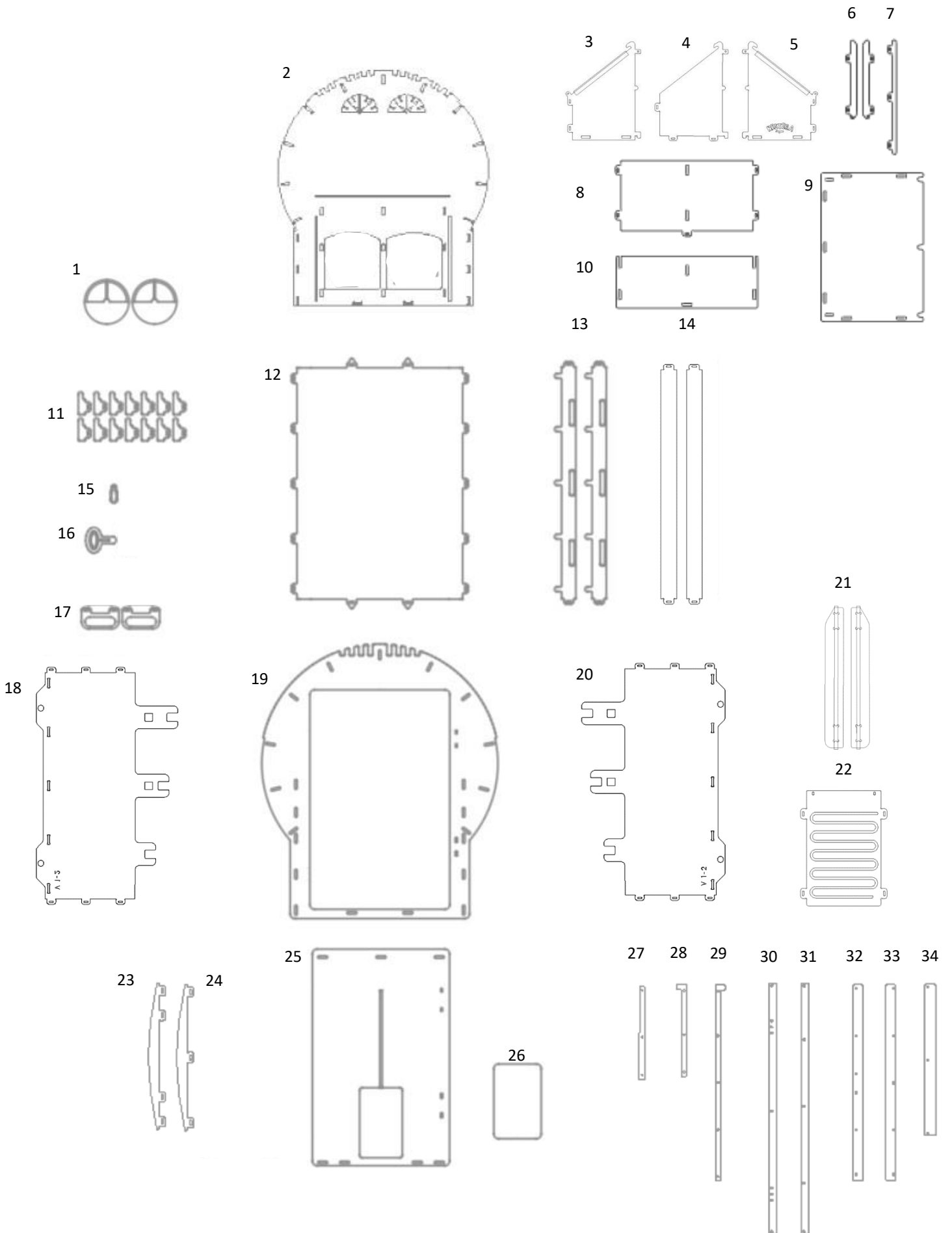


Wagon Components

Part No	Description	Qty
1	Vent Covers	2
2	Rear Wall	1
3	Right Nest Box Side Wall	1
4	Nest Box Divider	1
5	Left Nest Box Side wall	1
6	Nest Box Side Brace	2
7	Nest Box Front Brace	1
8	Nest Box Base	1
9	Nest Box Roof	1
10	Nest Box Front	1
11	Roof Retainers	14
12	Base	1
13	Lower Roof Supports	2
14	Upper Roof Supports	2
15	Door Handle	1
16	Locking Handle	1
17	Front Handles	2
18	Right Side Wall	1
19	Front Wall	1
20	Left Side Wall	1
21	Ramp Side Supports	2

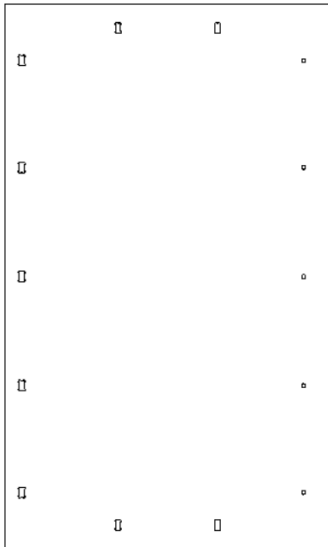
Part No	Description	Qty
22	Ramp	1
23	Lower Door Brace	1
24	Upper Door Brace	1
25	Front Door	1
26	Metal Door	1
27	Left Small Lower Door Retainer	1
28	Left Small Upper Door Retainer	1
29	Right Small Door Retainer	1
30	Left Door Stop	1
31	Right Door Stop	1
32	Left Door Retainer	1
33	Right Door Retainer	1
34	Upper Door Stop	1
35	Lower Side Roof	2
36	Large Centre Roof Panel	1
37	Wheels	4
38	Axles	2
39	Perches	3
40	Wheel Stop	2
41	Fixing Pack 1	1
42	Fixing pack 2	1

Wagon Components



Wagon Components

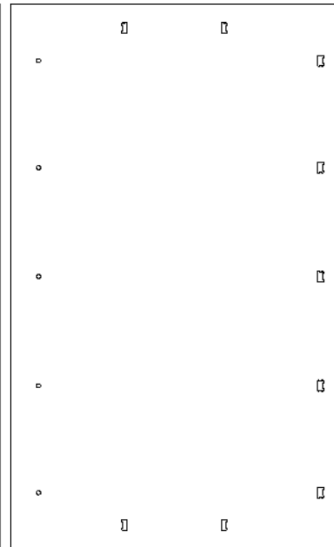
35



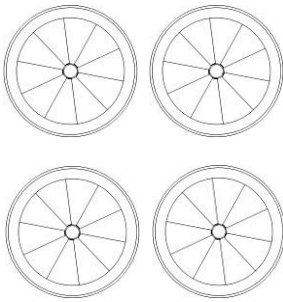
36



35



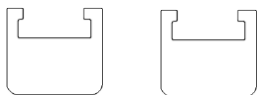
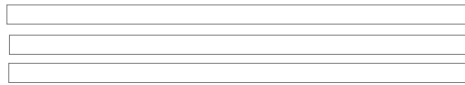
37



38



39



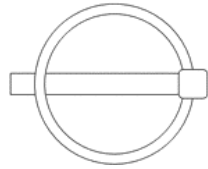
40

⁴¹ Fixing Pack 1



Pi Clip

Qty 82



Linch Pin

Qty 33



6mm R Clip

Qty 2



Clevis Pin 25mm

Qty 2



30mm Screw

Qty 23



20mm Screw

Qty 20



25mm Washer

Qty 12



30mm Rubber
Washer

Qty 10



30mm M5
Screw

Qty 8



20mm M5
Screw

Qty 6



M5 Nylock
Nut

Qty 14



Standard
Washer

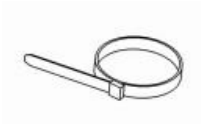
Qty 57



Nylock Nut

Qty 43

⁴² Fixing Pack 2



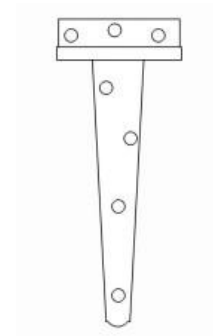
Cable Tie

Qty 1



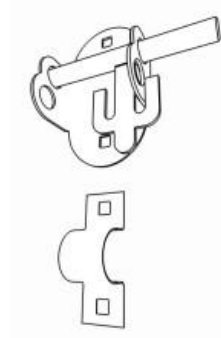
Weather Seal

Qty 1



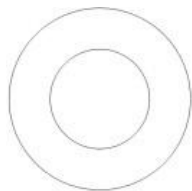
Hinge

Qty 2



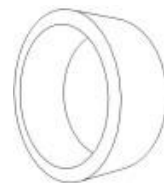
Door Bolt &
Retainer

Qty 2



Wheel Washer

Qty 4



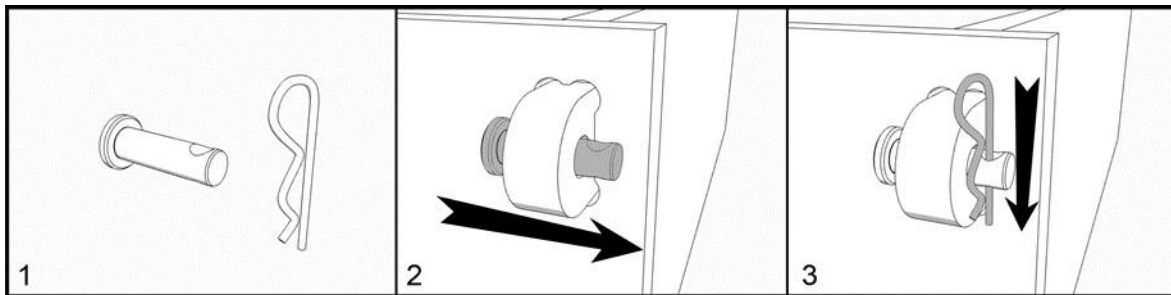
Wheel Spacer

Qty 4

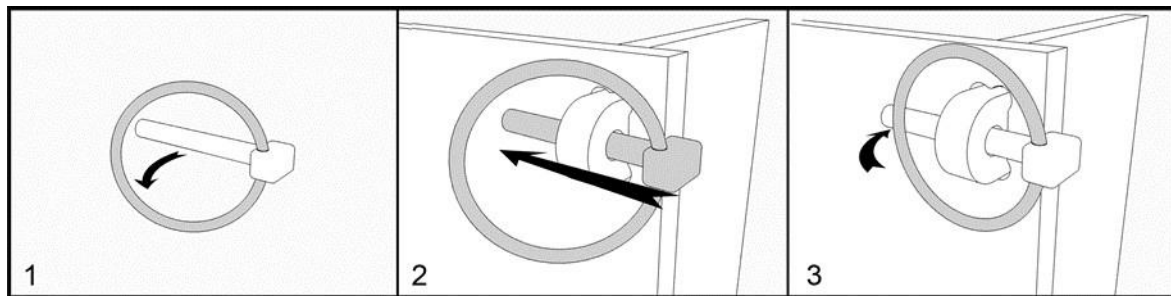
RECYCLED & RECYCLABLE

Products from Nestera are made from recycled materials, wherever possible. Where this is not practical, we always try to use materials that are suitable for recycling. Our plastic is made from recycled industrial waste plastic. By choosing Nestera products, rather than those made from virgin plastic, you are helping to restrict the amount of new plastic being made. We recycle all our waste plastic and, of course, our products themselves can be recycled (if they ever wear out!). The recycled plastic we use is quite tough but as easily worked as wood. There is no need for preservative treatment with insecticides or fungicides, and structures won't splinter or crack, so they retain their structural integrity. The plastic is resistant to UV light, so it retains its colour, and is mostly impervious to atmospheric pollutants and seasonal climatic actions, such as freeze-thaw. It insulates well and is resistant to chewing. These properties mean it retains its appearance, colour and functionality for far longer than timber. The sheets of recycled plastic have a very uniform thickness, and so are ideally suited to our high-technology manufacturing process, which uses computer-controlled machines to cut shapes to accuracies less than 0.1mm. We use some metal components to fix some parts together. The metals used are either stainless steel or other rust-resistant alloy, so they have a long lifetime and are also suitable for recycling. Our packaging and literature are all made from recycled materials wherever possible.

HOW TO FIT A CLEVIS PIN (IF USED)

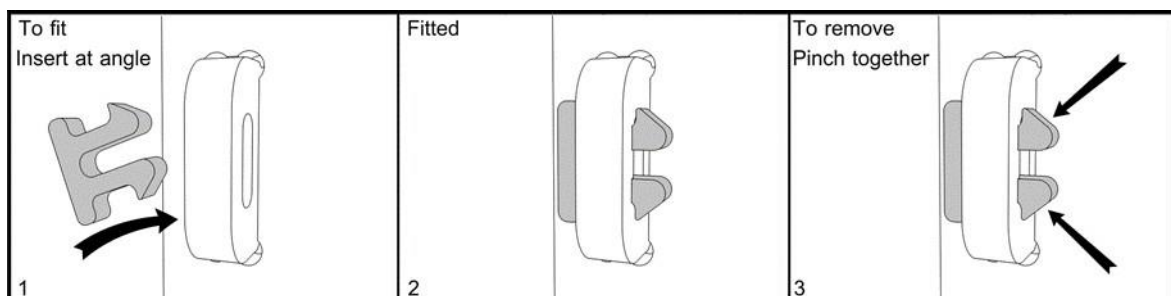


HOW TO FIT A LINCH PIN (IF USED)



You only need to lift the ring slightly up from the bar. Linch Pins are designed to spring closed, so watch your fingers!

HOW TO FIT AND REMOVE A PI CLIP



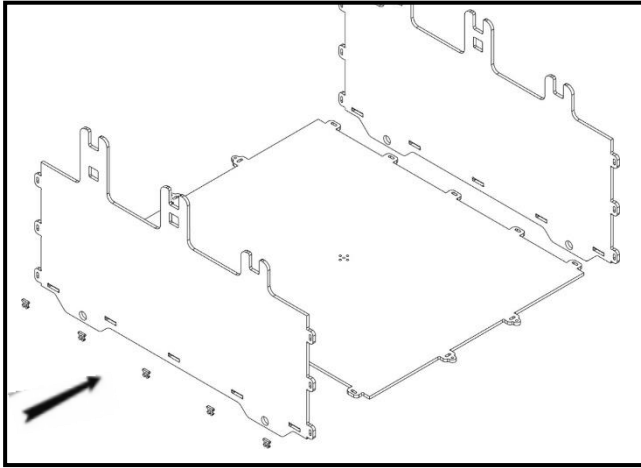
Tools Required



Philips screw driver

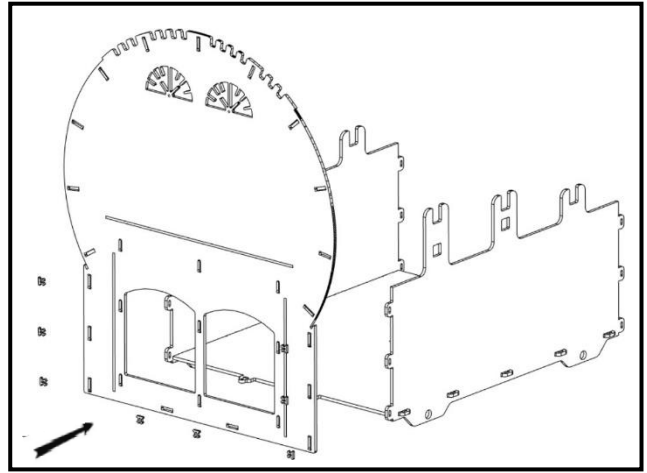


10mm Spanner



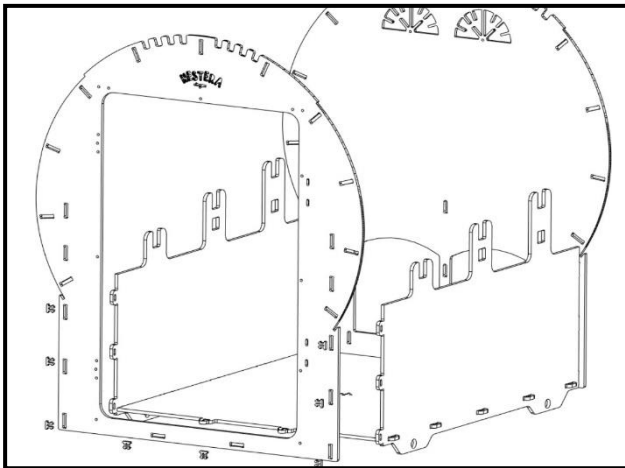
1, Fit the **Left and Right side wall** to the base using 10 Pi Clips. Ensure the Base is shiny side up for easier cleaning!

Part No required: 12,18, 20
 Fixings: 10x Pi clips



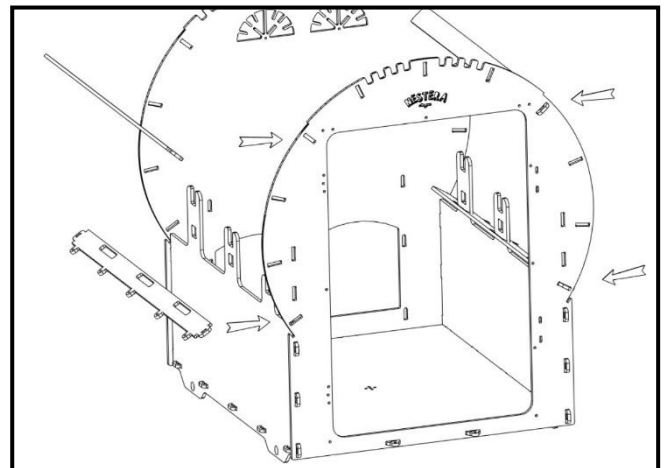
2, Fit the **Rear wall** to the side walls and base using 8 Pi Clips .

Part No required: 2
 Fixings: 8x Pi clips



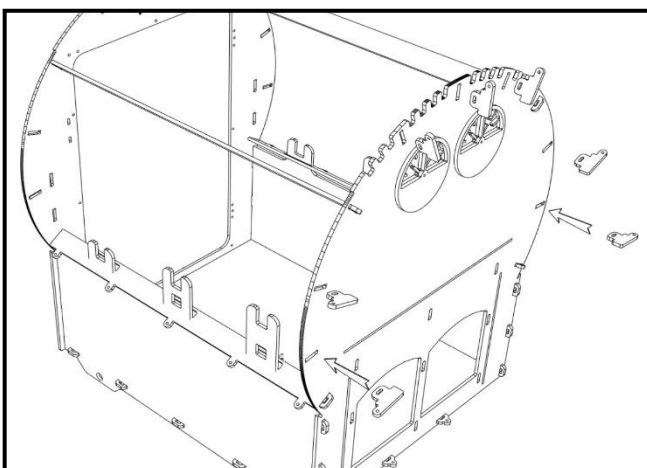
3, Fit the **Front wall** to the side walls and base using 8 Pi Clips.

Part No required: 19
 Fixings: 8x Pi clips



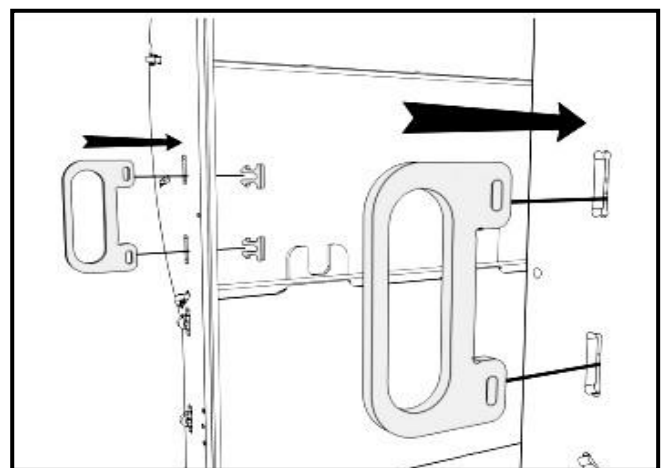
4, Fit the **Lower and upper roof supports** using 8 Pi clips.

Part No required: 13(x2) , 14(x2)
 Fixings: 8x Pi clips



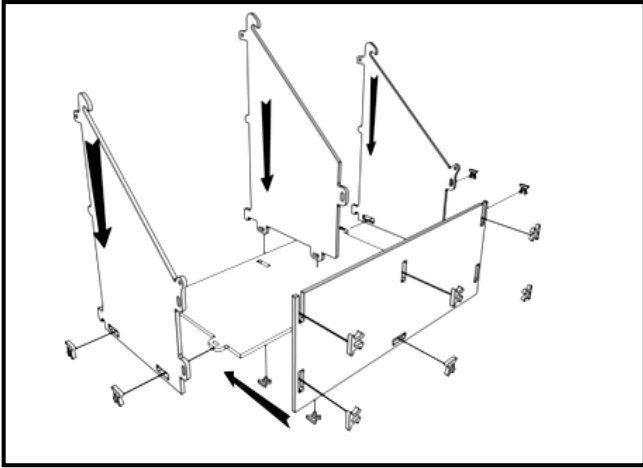
5, Fit the **Roof retainers** to the **Front and Rear Walls** using 1 Pi clip on each.

Part No required: 11(x14)
 Fixings: 14x Pi clips



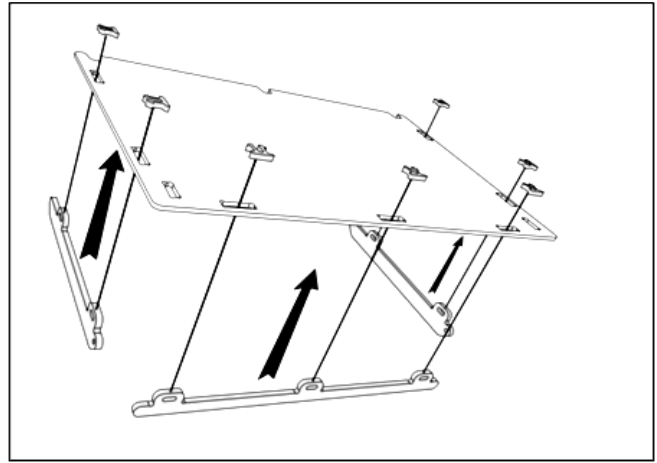
6, Fit the **Front Handles** to the Front Wall Using 4 Pi Clips.

Part No required: 17(x2)
 Fixings: 4x Pi clips



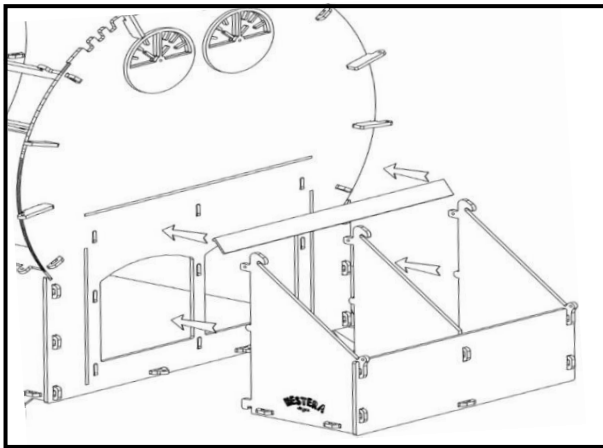
7, Fit the **Nest box Side Walls** and **Nest Box Divider** to the **Nest Box Base**, then add the **Nest Box Front Wall**, using 12 x Pi Clips.

Part No required: 3,4,5,8,10
 Fixings: 12x Pi clips



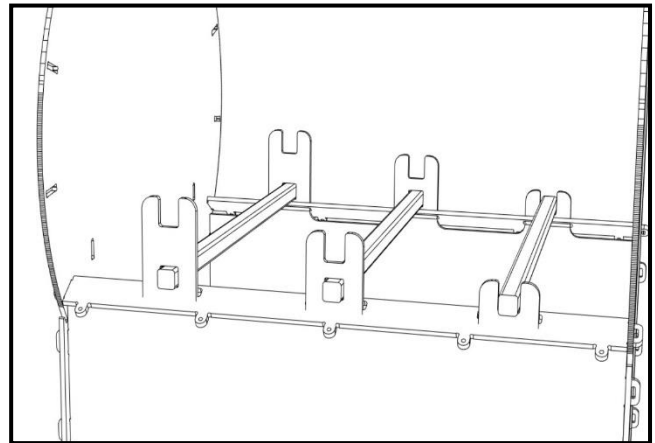
8, Fit the **Nest box Front Brace** and the two **Nest box Side Braces** to the **Nest box Roof**,

Part No required: 6(x2), 7, 9
 Fixings: 7x Pi clips



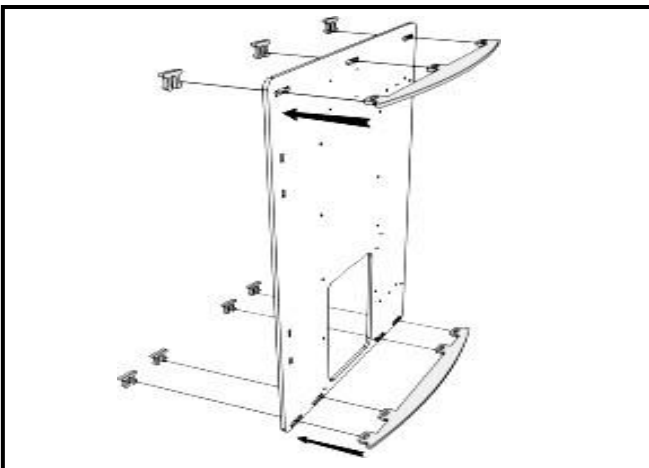
9, Fit the **Nest box** to the rear panel by inserting the bottom of the nest box first, then securing the top of the nest box to the main house with 3x Linch Pins. Then fit the **Weather Seal** into the groove above the nest box.

Part No required: None
 Fixings: 3x Linch pins, Rubber seal



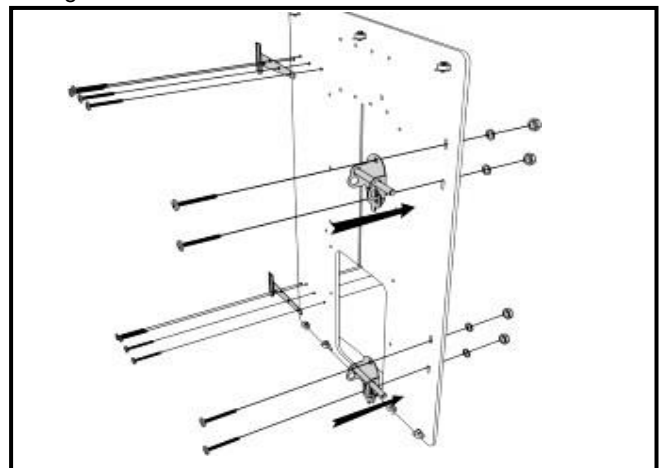
10, Insert your perches by sliding them into the appropriate position. You can choose if you would like them staggered or level. You can also omit the Perches if you have a non perching breed of Chicken.

Part No required: 39(x3)
 Fixings: None



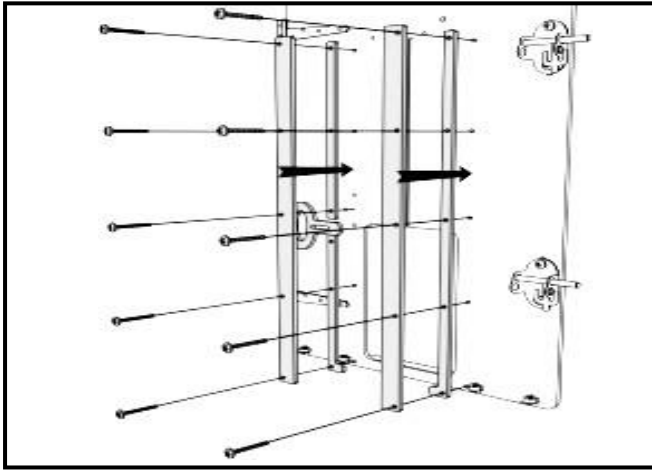
11, Fit the **Upper** and **Lower Door Brace** to the inside (Smooth Side) of the **Front Door**.

Part No required: 23, 24, 25
 Fixings: 7x Pi clips



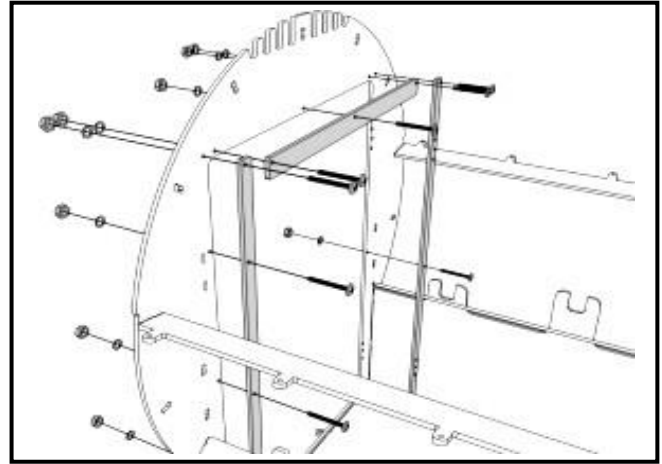
12, Fit the **Door Bolts** and **Hinges** to the Outside of the **Front Door**.

Part No required: 25
Door Bolt fixings: 4 x 20mm Screws, 4 x Standard washers, 4 x Nuts
Hinges: 8 x M5 20mm Screws, 8 x Standard washers, 8 x M5 nuts



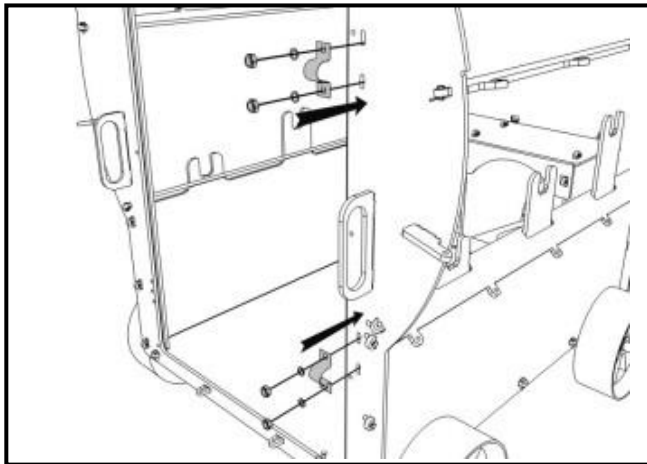
13, Fit the **Door retainers** to the door as shown above. The thinner retainers go first followed by the thicker retainers. This creates a channel for the metal door to sit. Do not over tighten the handle as you want to slide this freely..

Part No required: 16, 27, 28, 29, 32, 33
 Fixings: 12x 30mm Screws, 12x Standard Washers, 12x Nuts



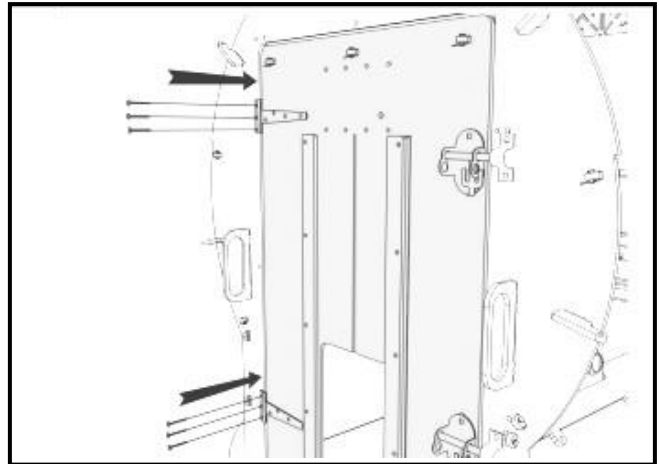
14, Fit the **Left, Right, Upper & Lower Door stops** to the inside of the front wall using 17 M6x30mm Screws, Standard Washers and Nylock Nuts.

Part No required: 30, 31, 34
 Fixings: 11x 30mm Screws, 11x Standard Washers, 11x Nuts



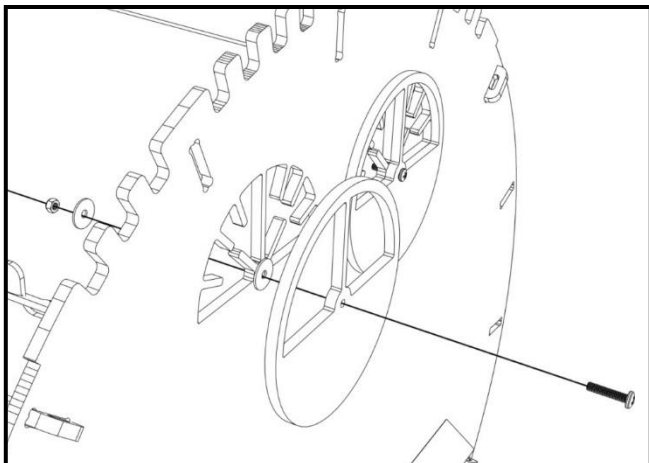
15, Fit the **Door Bolts retainers** to the Front panel.

Part No required: None
 Fixings: 4x 20mm Screws, 4x Standard Washers, 4x Nuts



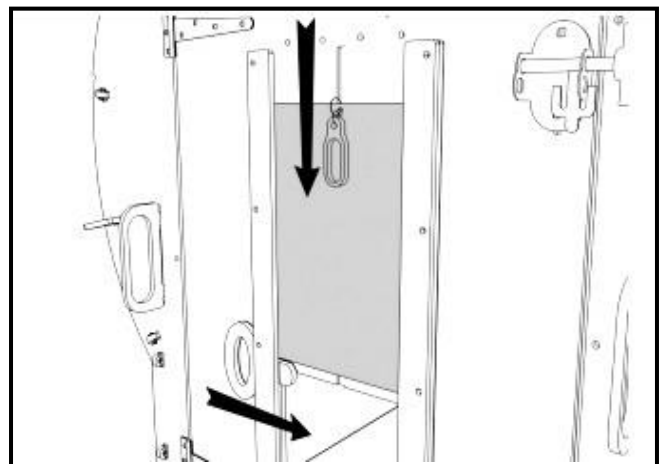
16, Fit the **Front Door** to the front panel via the hinges. Some adjustments to the door bolts may be required to help the door sit square. Building on an even ground can help with this.

Part No required: 25
 Fixings: 6 x M5 30mm Screws, 6x Standard Washers, 6 x M5 Nuts



17, Fit the **Vent Covers** to the rear wall. The penny washer should go between the vent cover and the back wall to allow for rotation. Do not overtighten.

Part No required: 1(x2)
 Fixings: 2x 30mm Screws, 2x Standard Washers, 2x Penny washers, 2x Nuts



18, Tie the **Door Handle** to the Door with a **cable tie**. Slide the **Metal Door** into place from the top. Note: the metal door can be locked open or closed with the locking handle.

Part No required: 15, 26
 Fixings: 1x Cable tie

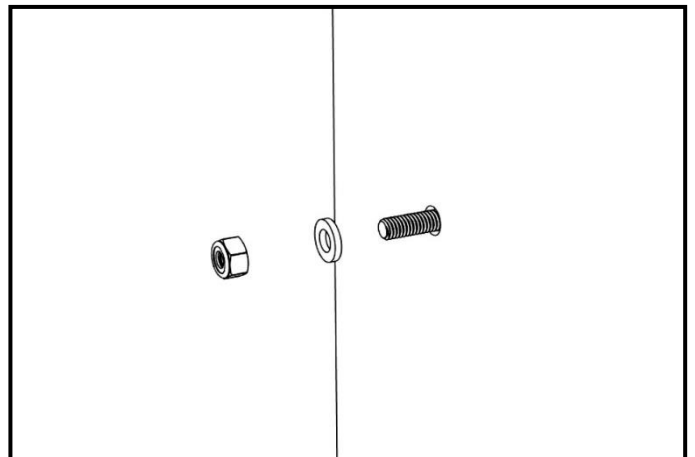
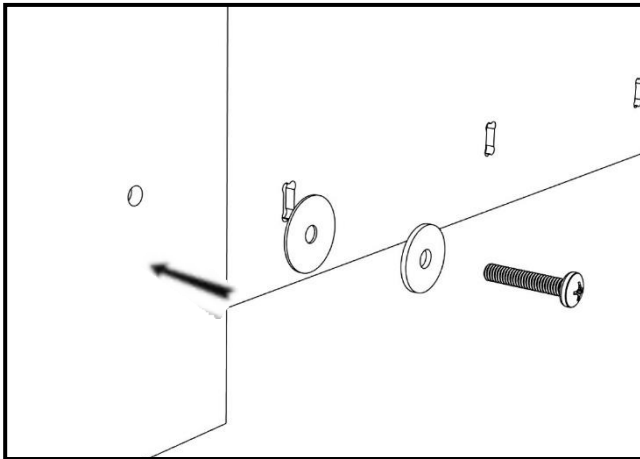
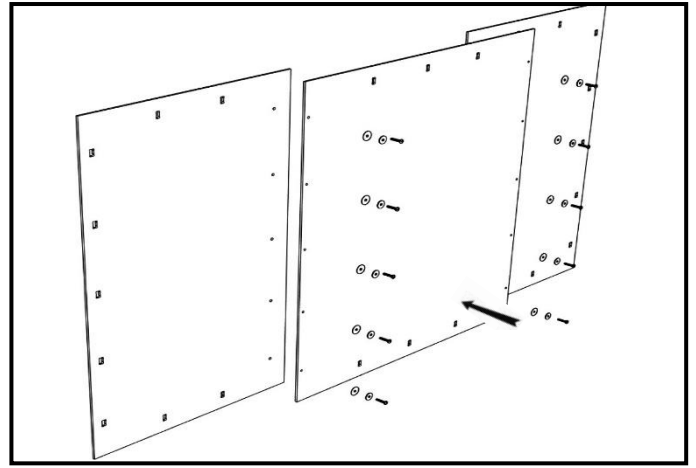
19. Roof Assembly

Part No required: 35(x2), 36

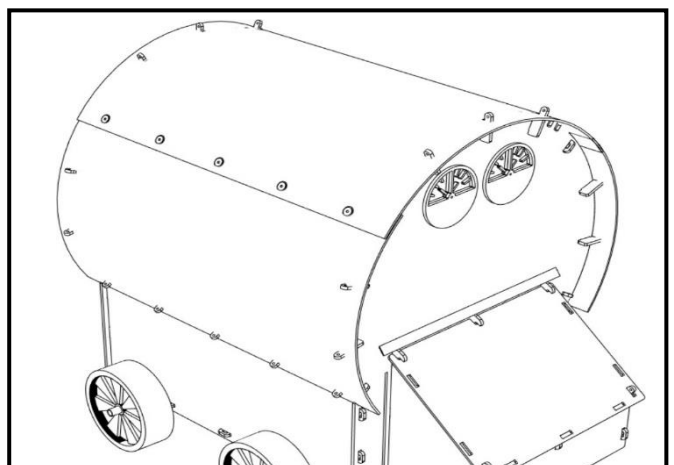
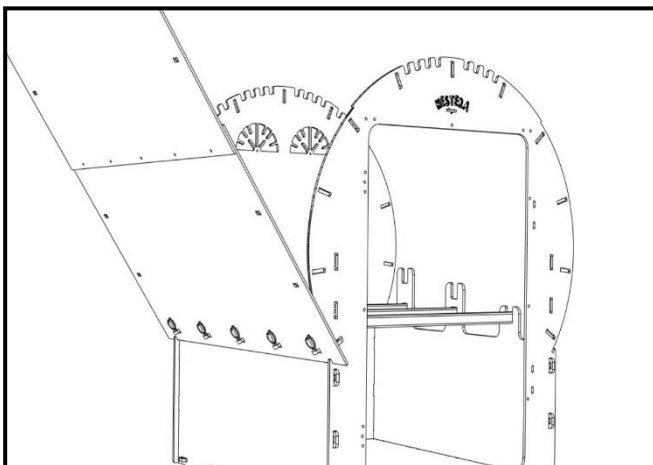
Fixings: 10x20mm Screws, 10x Rubber Washers, 10x 25mm Washers, 10x standard washers and 10x Nuts

Recommended 2 people for this step.

Place the lower roof panels on the underside of the large roof panel. Line up the fixing holes and fix together tightly to form 1 large weatherproof panel.

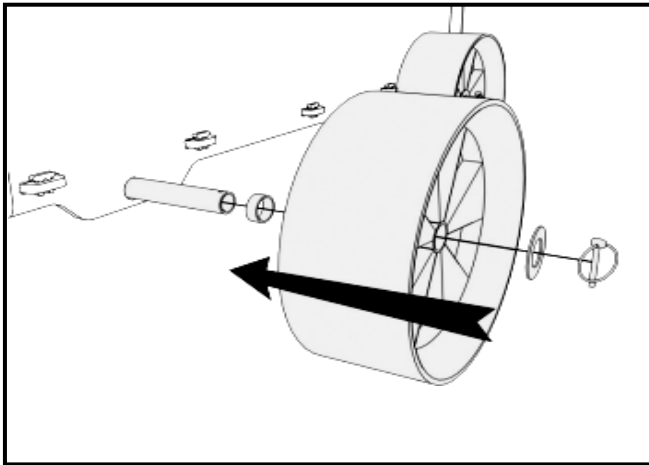


19a, When fitting the roofs together you should place the **25mm washer** then the rubber washer on to the **M6 20mm screw**. The washers should sit on the green face of the roof. Then secure tightly with the standard washer and nylock nut.



19b, Lay the panel over the top of the wagon and line up all holes with the roof retainers from step 5, then secure with lynch pins. The roof should then tuck into the precut slots on the front and back panel. Finally, slide your nest box lid into position and secure with lynch pins.

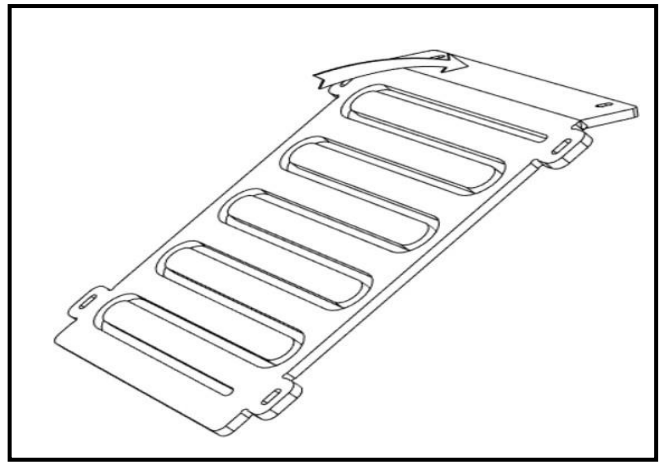
Fixings: 26x Lynch pins



20, Slide the **Axles** through the side walls. Slide **Metal spacers** over Axles, then the **Wheels** then the **wheel washers** and secure with **Linch Pins**

Part No required: 37(x4), 38(x2)

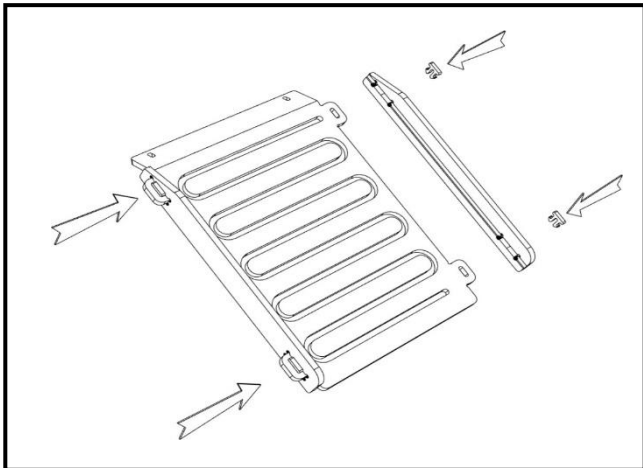
Fixings: 4x Wheel Spacers, 4x Wheel Washers, 4x Linch pins



21, Fold the top of the **Ramp** to create a flat top step. This can be adjusted once fitted to the Wagon.

Part No required: 22

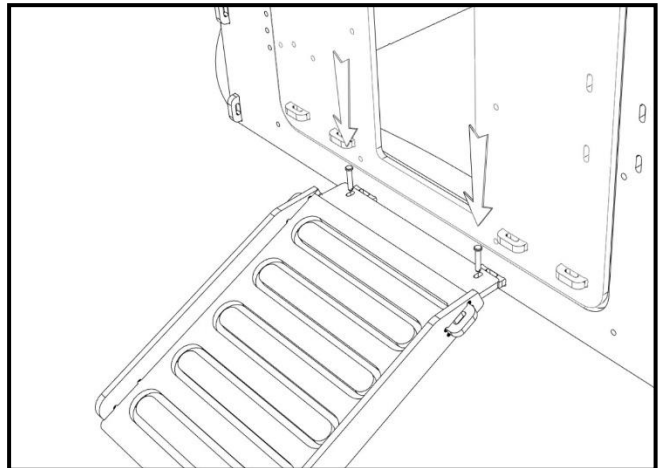
Fixings: None



22, Fit the **Side supports** to the **ramp** ensuring the Groove faces inwards and attach with 4 Pi clips.

Part No required: 22, 21(x21)

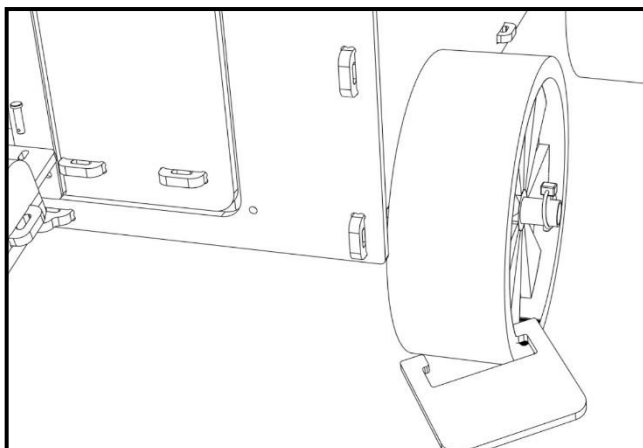
Fixings: 4x Pi Clips



23, Fit the **Ramp** using **Long Clevis Pins** and **R clips**.
Note : The Ramp is optional.

Part No required: 22

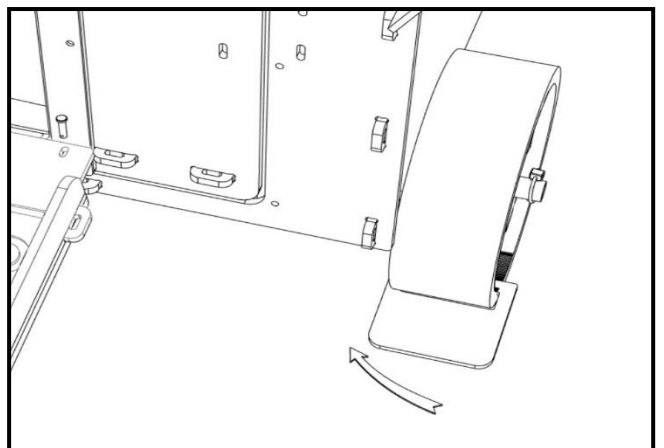
Fixings: 2x Clevis pins, 2x R-clips



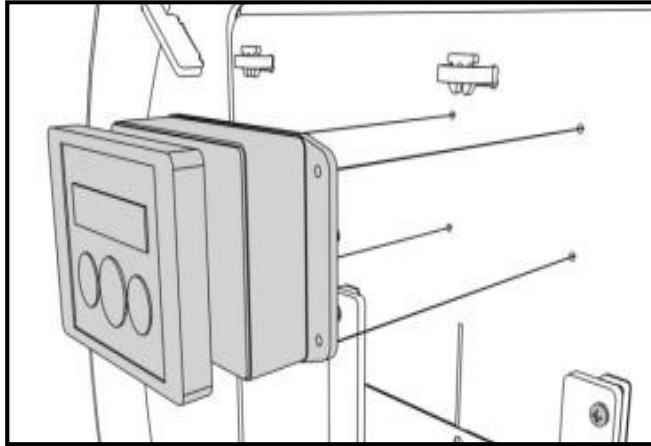
24, Fit the **Wheel Stop** by hooking the larger tab to the outer side of the wheel.

Part No required: 40(x2)

Fixings: None



25, Turn the **Wheel Stop** to the left connecting it to the wheel. Repeat for the rear wheel. **Note:** To take off repeat process in reverse.



Optional Automatic Door: If you have purchased a Door opener use the Pre drilled holes on the Front Door. Instructions for setting it up are provided with the opener itself.

