

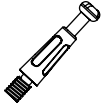
## UESR'S MANUAL

---

TV stand  
LP-TV-006

## Hardware List

**A**



**Cam bolt  
( 26pcs )**

**B**



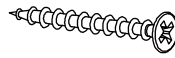
**Cam lock  
( 26pcs )**

**G**



**Wood dowel  
( 32pcs )**

**D**



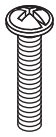
**LongScrew  
( 8pcs )**

**E**



**Handel  
( 2pc )**

**F**



**Handel Screw  
( 2pcs )**

**G**



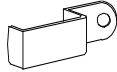
**Door shaft  
( 4pcs )**

**H**



**Magnet  
(2pcs)**

**I**



**Metal pin  
(2pcs)**

**J**



**Glass laminate holder  
( 8pc )**

**K**



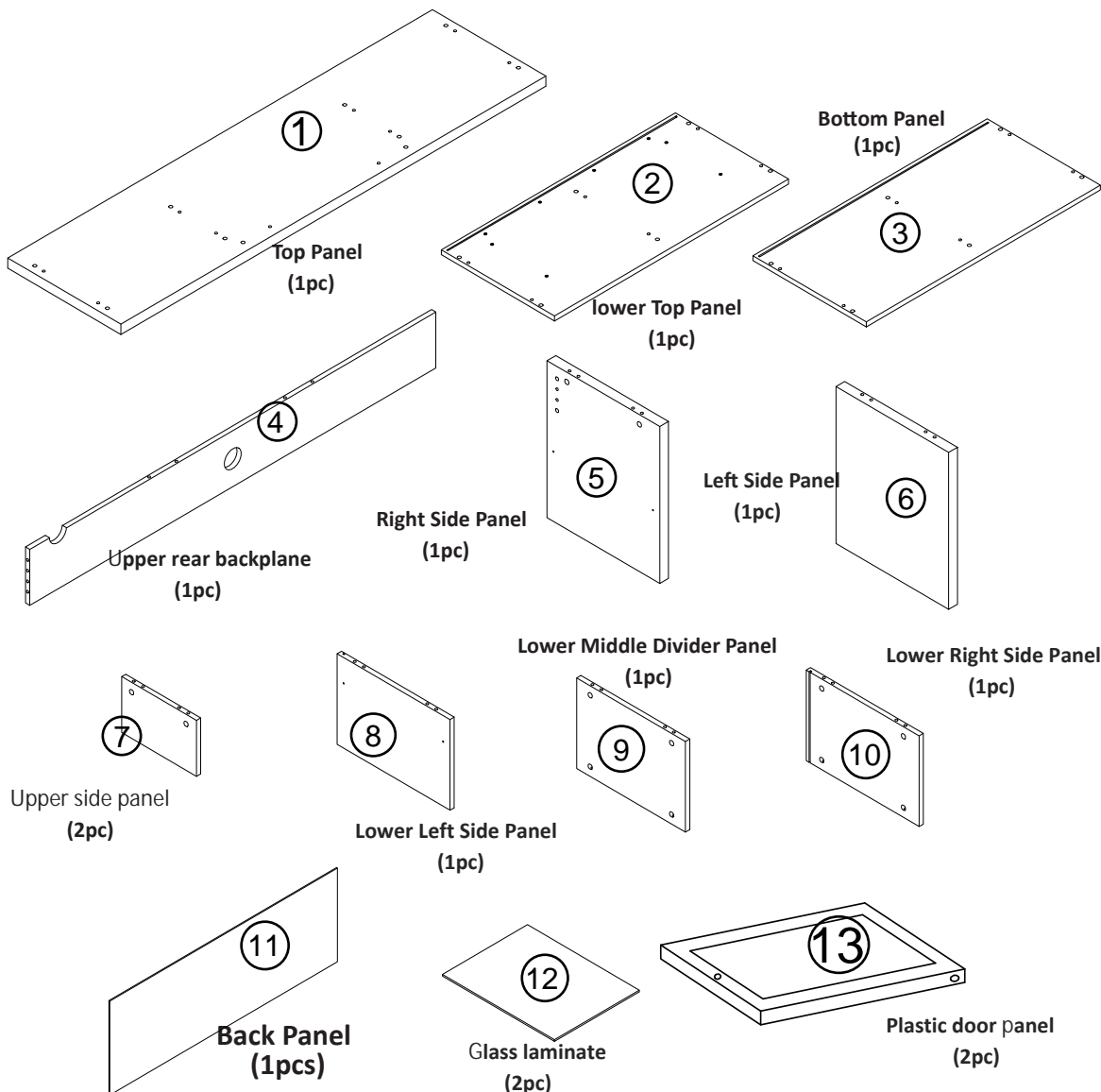
**Glue  
( 1pc )**

**L**

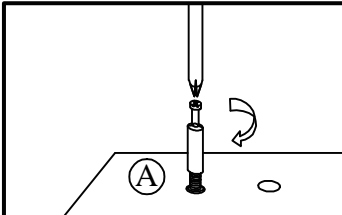
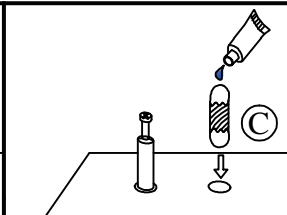
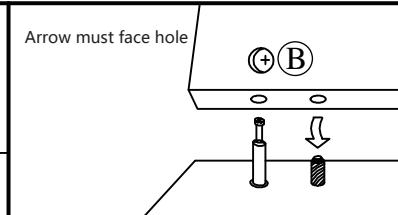
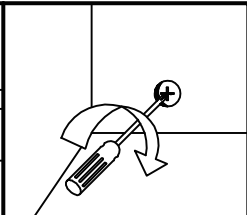


**Led  
( 1pc )**

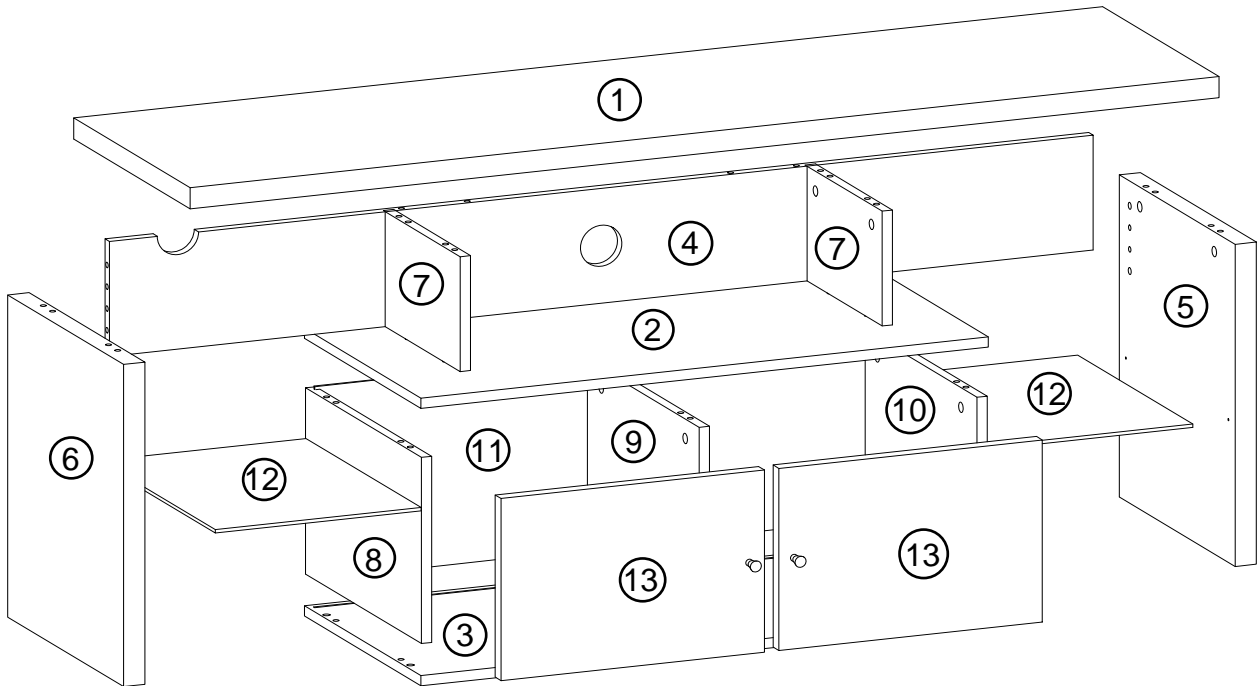
## Panel List



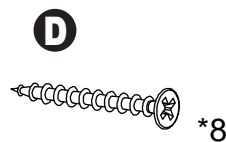
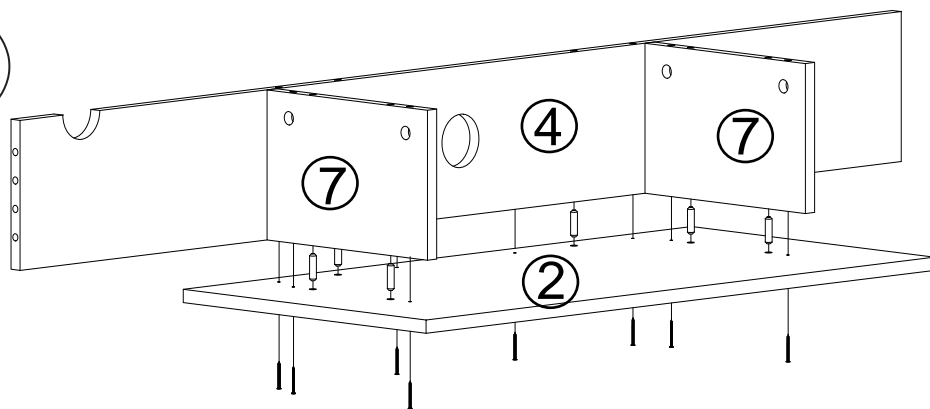
## Assembling the unit with camlocks and wood dowels.

			
Gently screw cam bolt into the threaded anchor.	Lightly glue one end of the wood dowel and tap halfway into hole.	Lightly glue wood dowel and connect to second panel by inserting dowels into holes. Arrow must face hole.	Screw the camlock firmly into locked position.

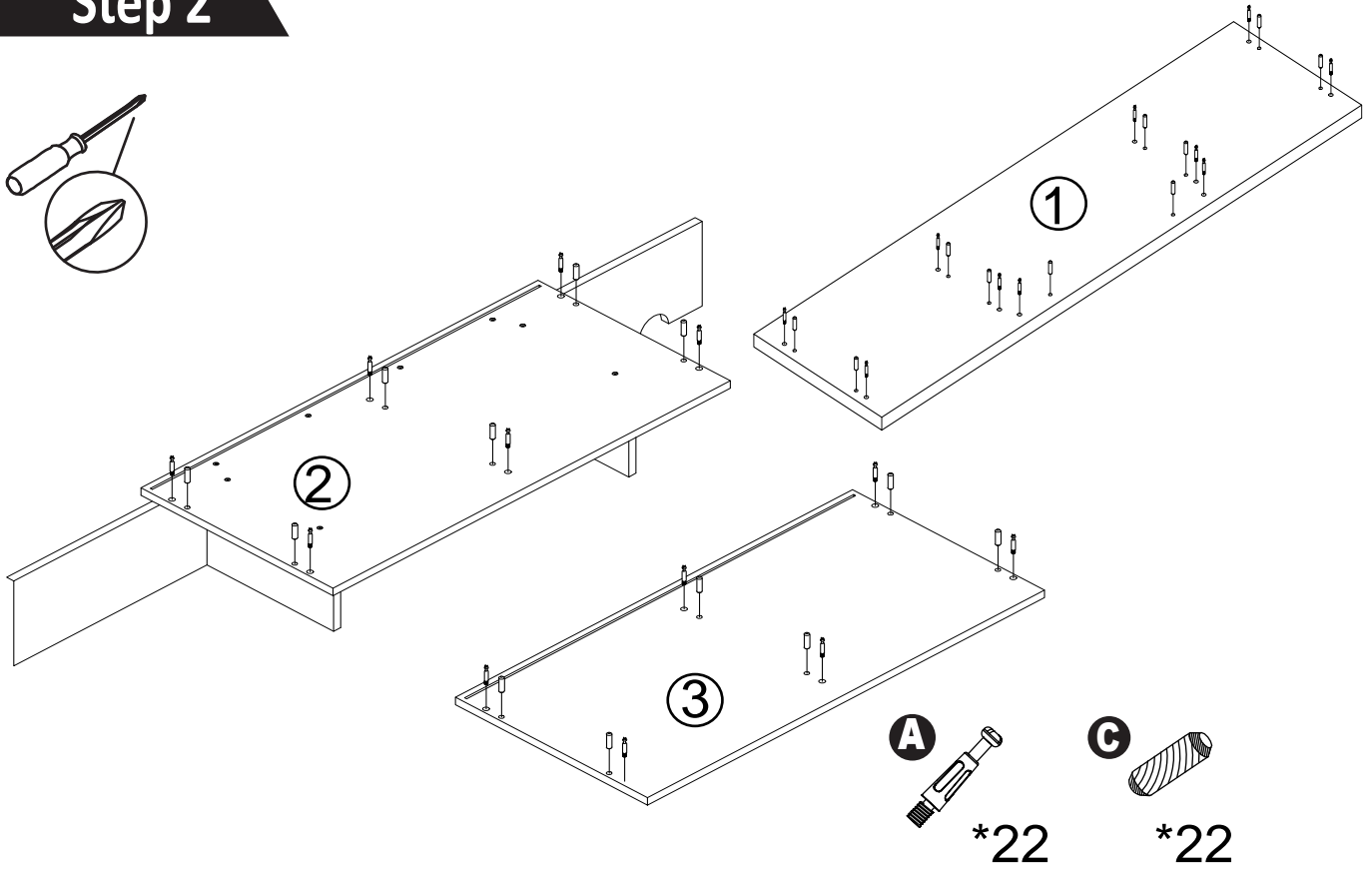
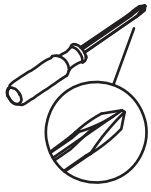
## Exploded Views



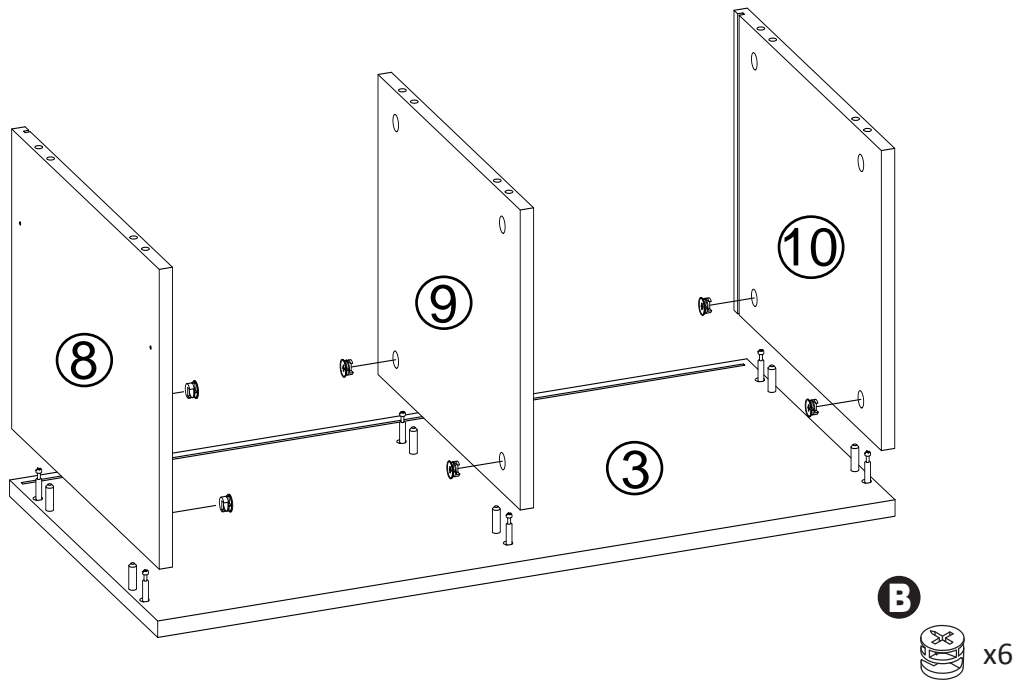
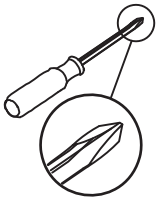
## Step 1



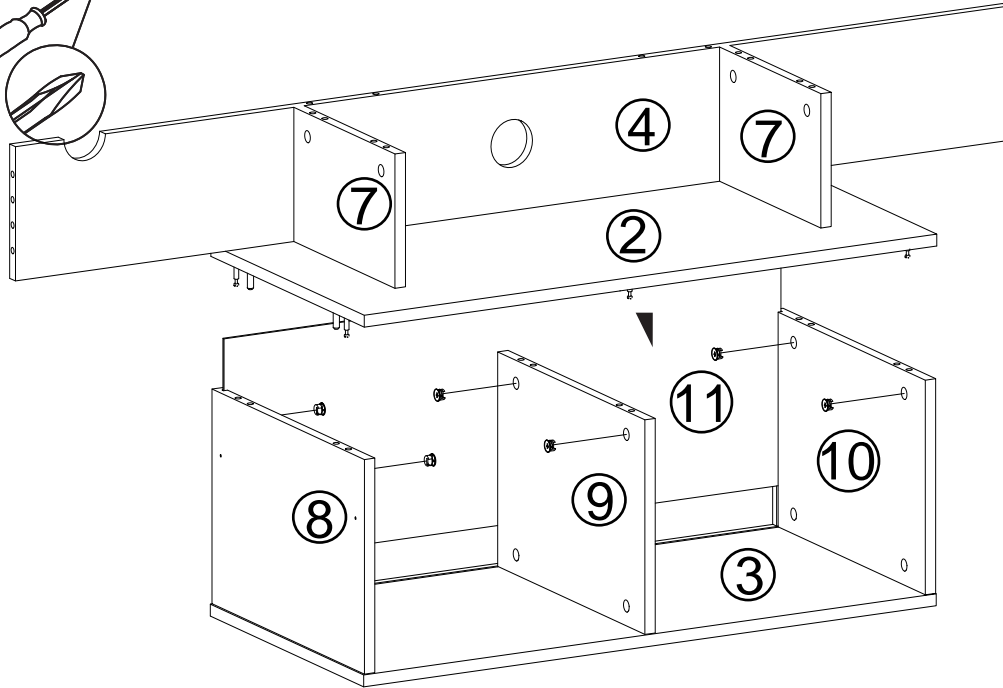
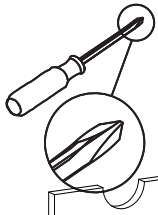
## Step 2



## Step 3



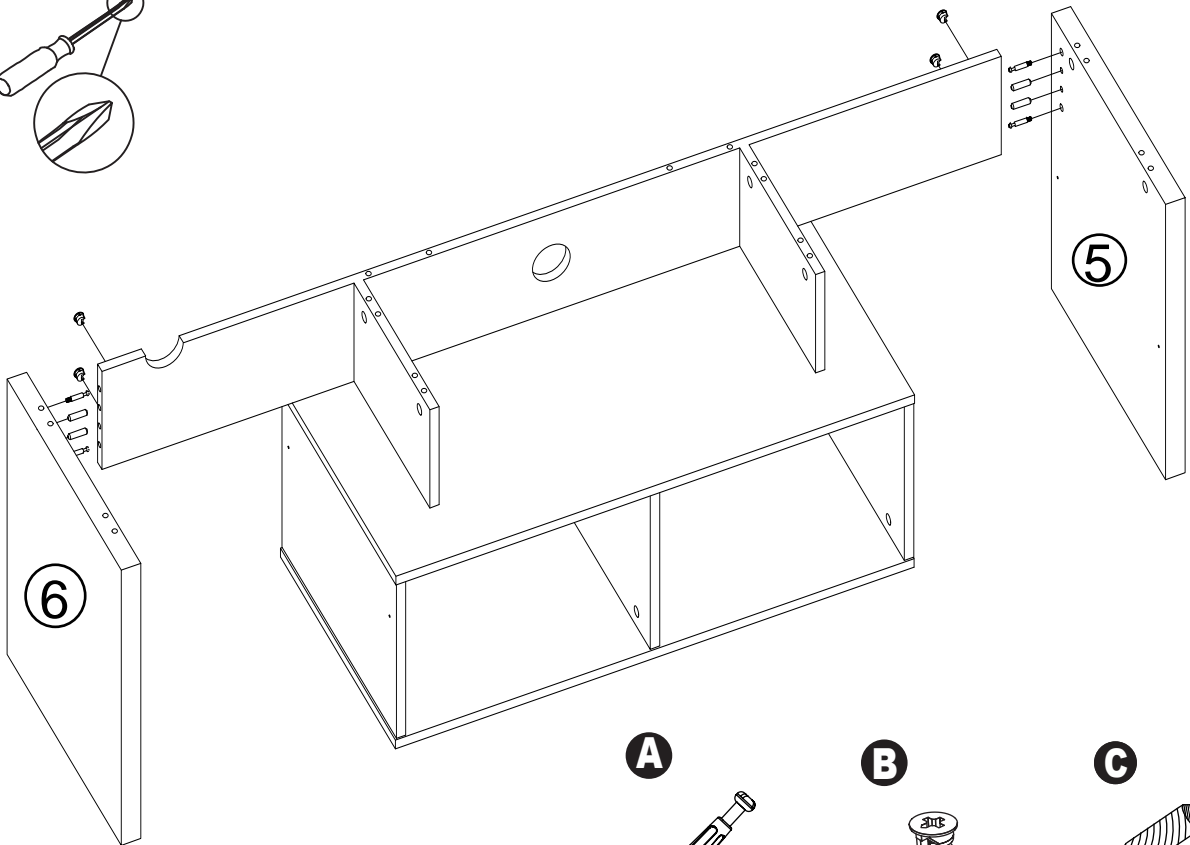
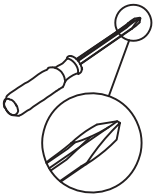
## Step 4



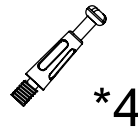
**B**



## Step 5



**A**



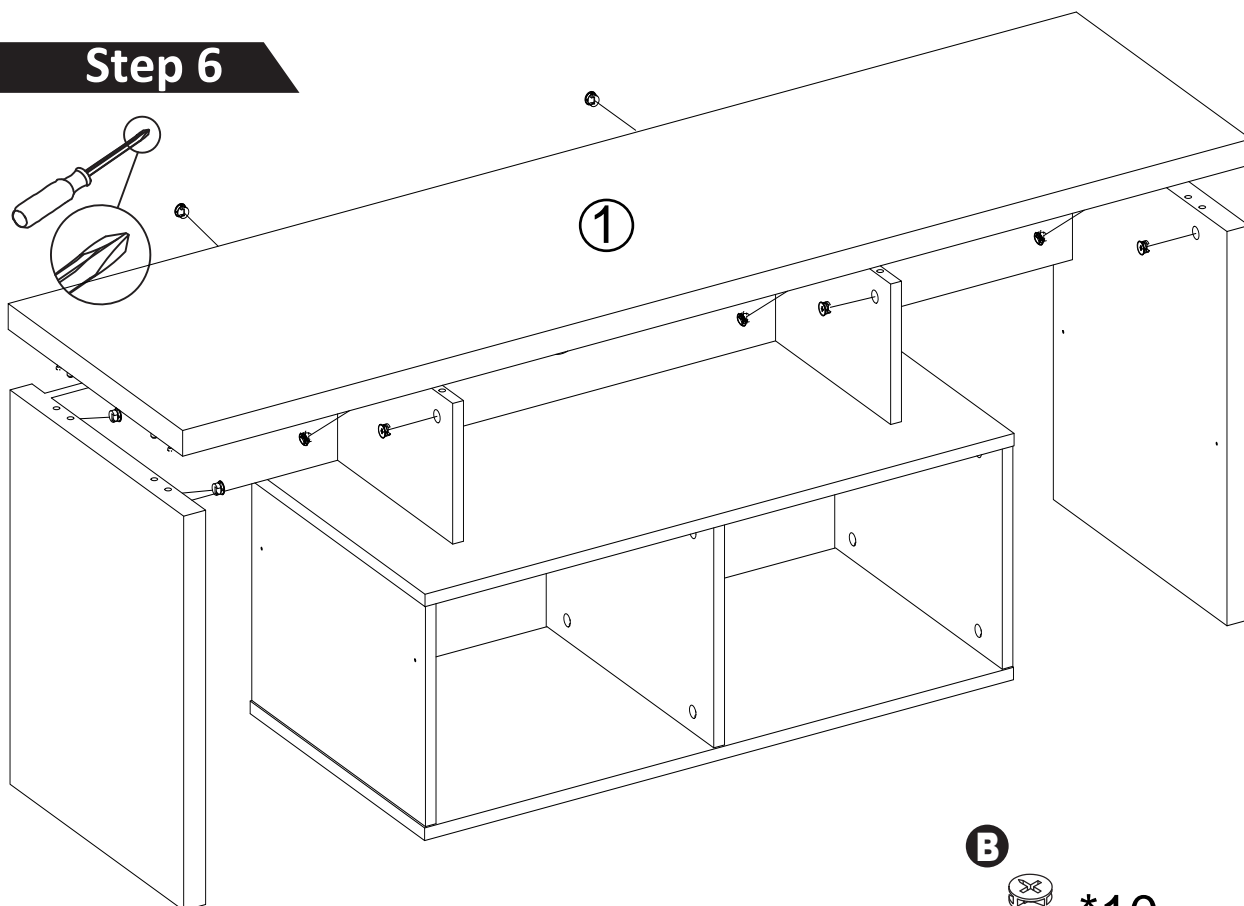
**B**



**C**

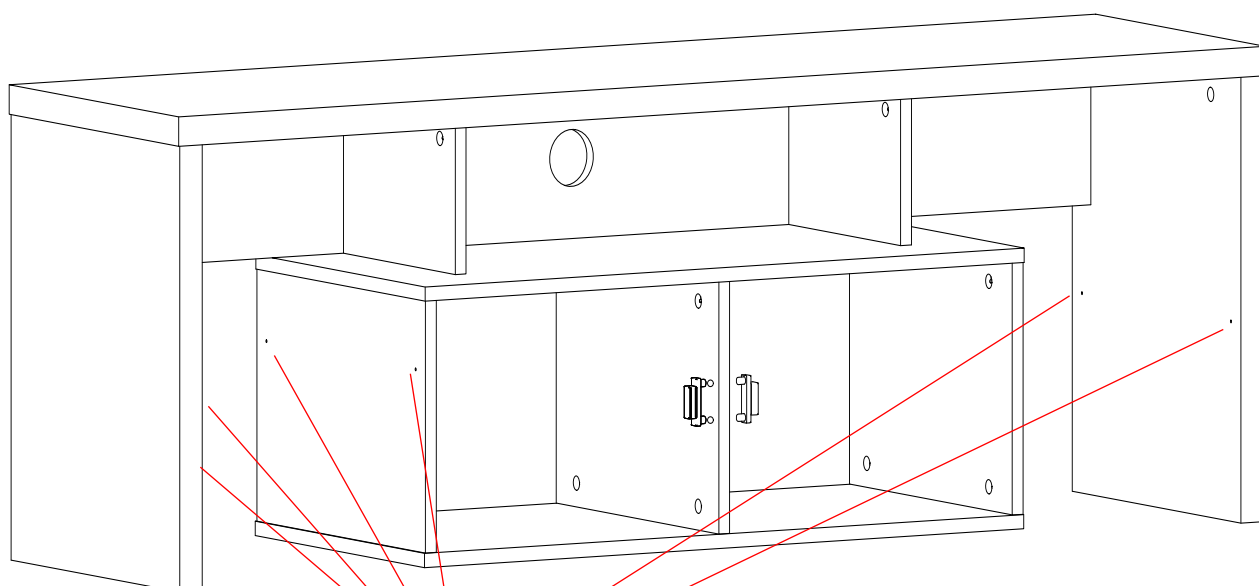


## Step 6



**B**  
 \*10

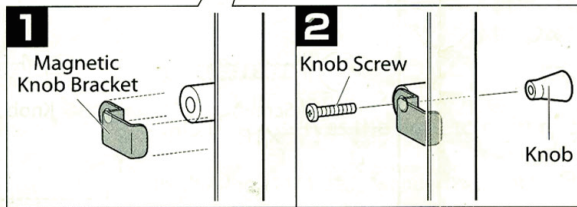
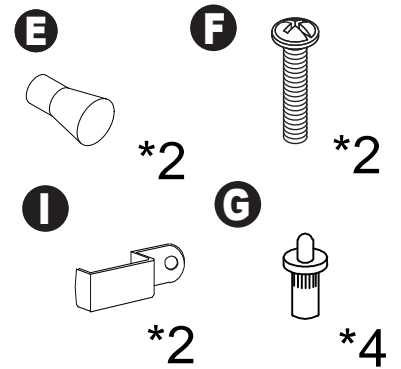
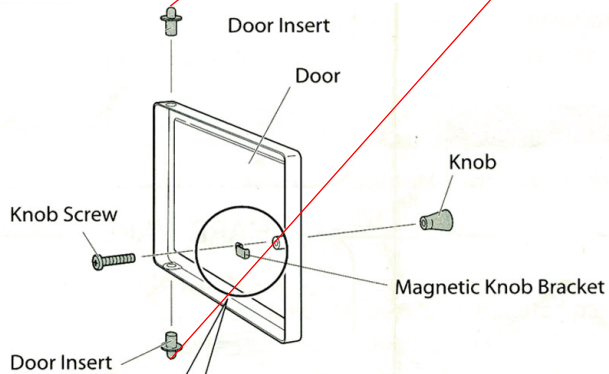
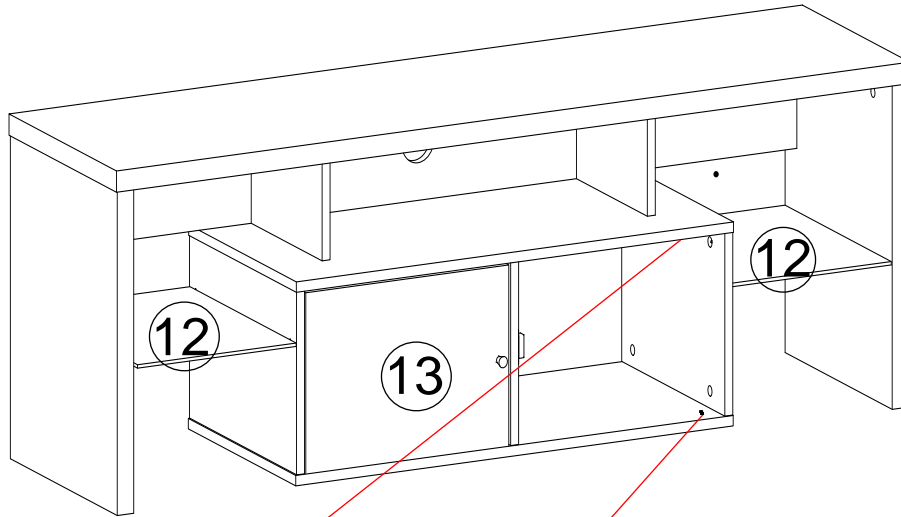
## Step 7



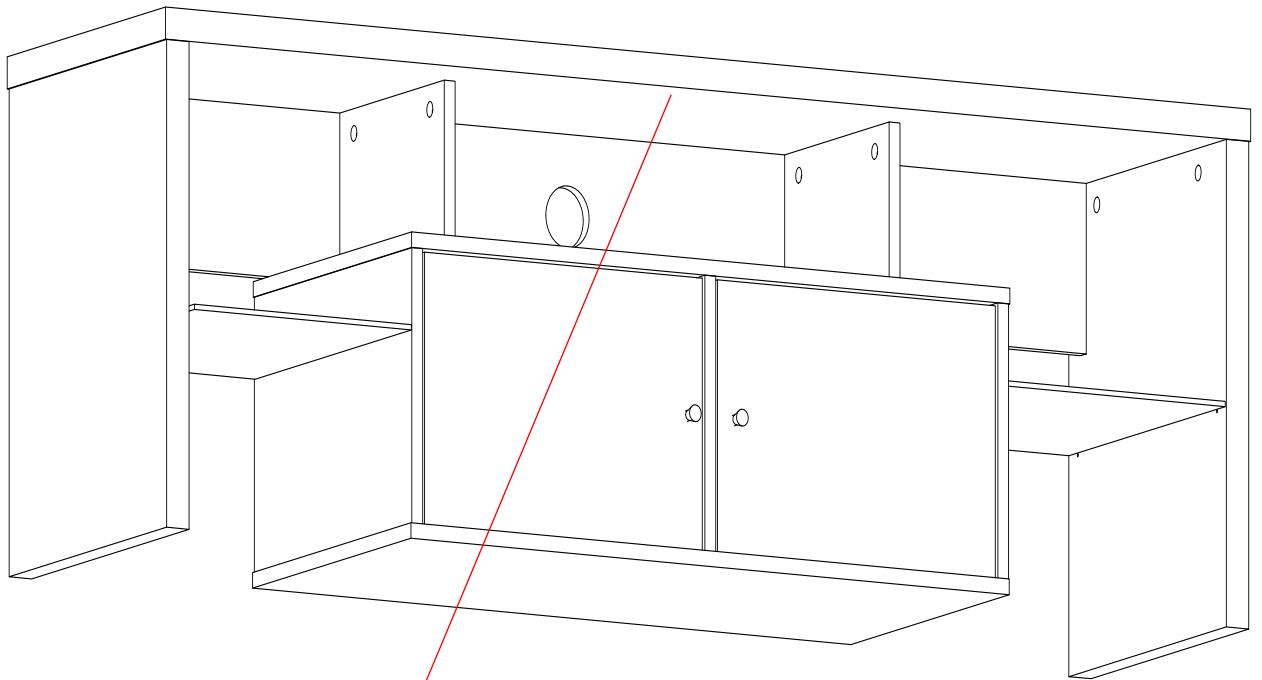
**J**  
 x8  


**H**  
 \*2

# Step 8



## Step 9



L



Control the lights with the remote.

Led  
( 1pc )