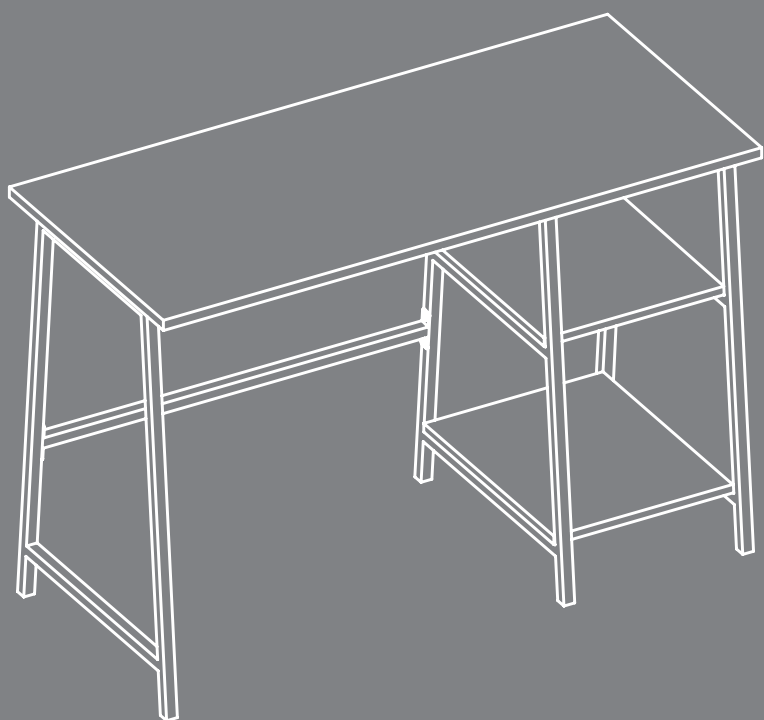


www.teknikoffice.co.uk

Teknik



Sit and surf.

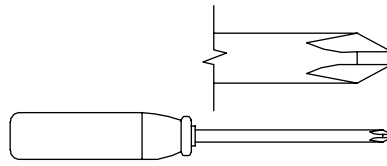
Industrial Style Bench Desk Sindoori Mango

Model 5428197

Table of Contents

Assembly Tools Required

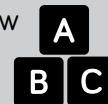
Part Identification	3
Hardware Identification	4
Assembly Steps	5-8



No. 2 Phillips Screwdriver
Tip Shown Actual Size

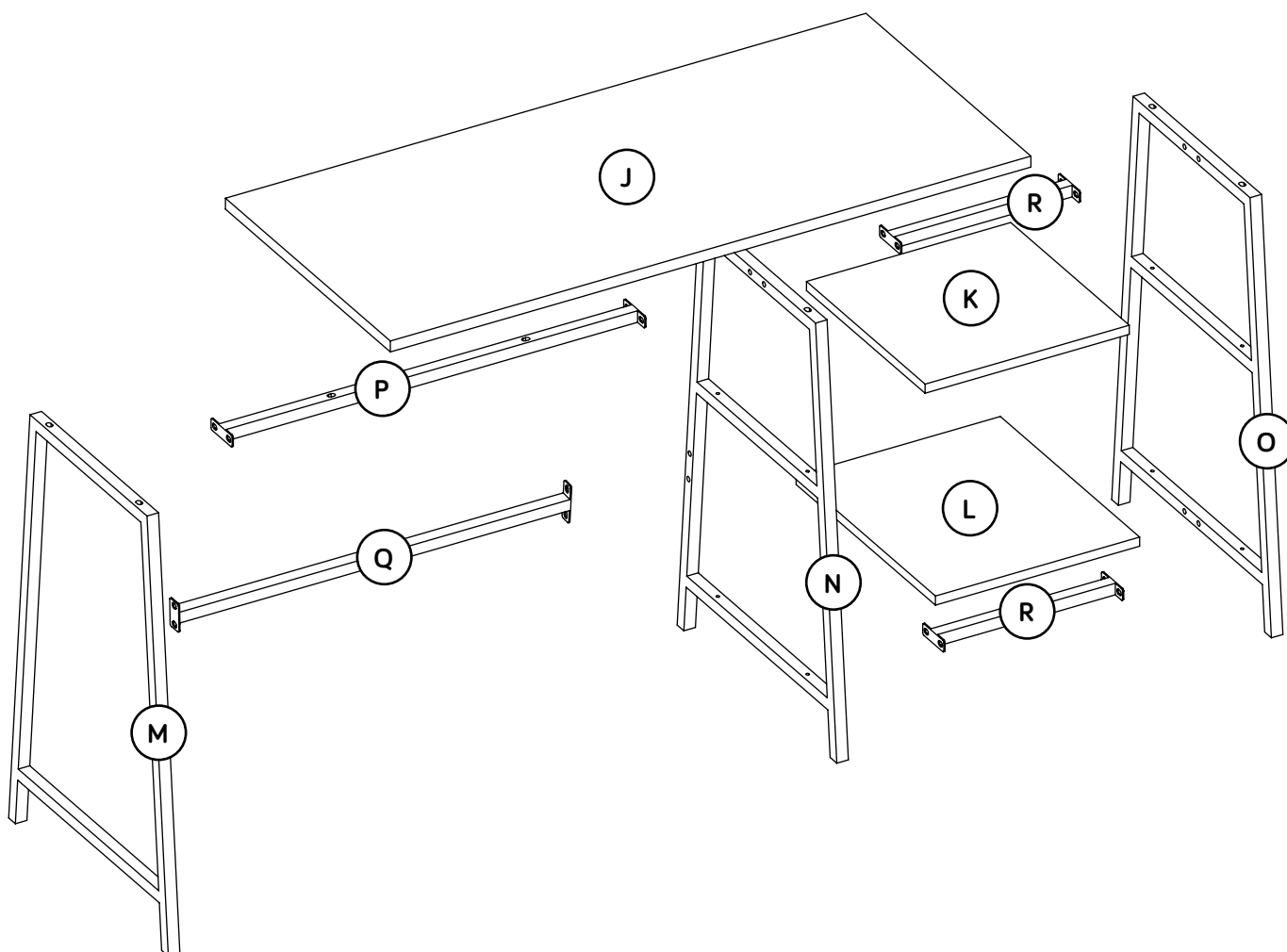
Part Identification

Now you know
our ABCs.



⚠ While not all parts are labeled, some of the parts will have a label or an inked letter on the edge to help distinguish similar parts from each other. Use this part identification to help identify similar parts.

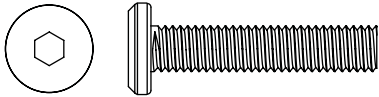
J	TOP (1)
K	SMALL SHELF (1)
L	LARGE SHELF (1)
M	LEFT END (1)
N	UPRIGHT (1)
O	RIGHT END (1)
P	LONG TOP BRACE (1)
Q	BACK BRACE (1)
R	SHORT TOP BRACE (2)



Hardware Identification

† Screws are shown actual size. You may receive extra hardware with your unit.

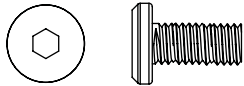
1 1-3/16" ALLEN SCREW - 8



2 1-1/8" PAN HEAD SCREW - 8



3 1/2" ALLEN SCREW - 16



4 ALLEN WRENCH - 1



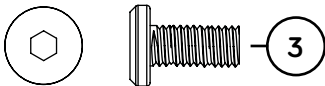
Step 1

- ✚ Assemble your unit on a carpeted floor or on the empty carton to avoid scratching your unit or the floor.
- ✚ Fasten the SHORT BRACES (R) to the RIGHT END (O) and UPRIGHT (N). Turn eight 1/2" ALLEN SCREWS (3) using the ALLEN WRENCH (4).
- ✚ Fasten the LONG TOP BRACE (P) to the UPRIGHT (N) and LEFT END (M). Turn four 1/2" ALLEN SCREWS (3) using the ALLEN WRENCH (4).
- ✚ Fasten the BACK BRACE (Q) to the UPRIGHT (N) and LEFT END (M). Turn four 1/2" ALLEN SCREWS (3) using the ALLEN WRENCH (4).

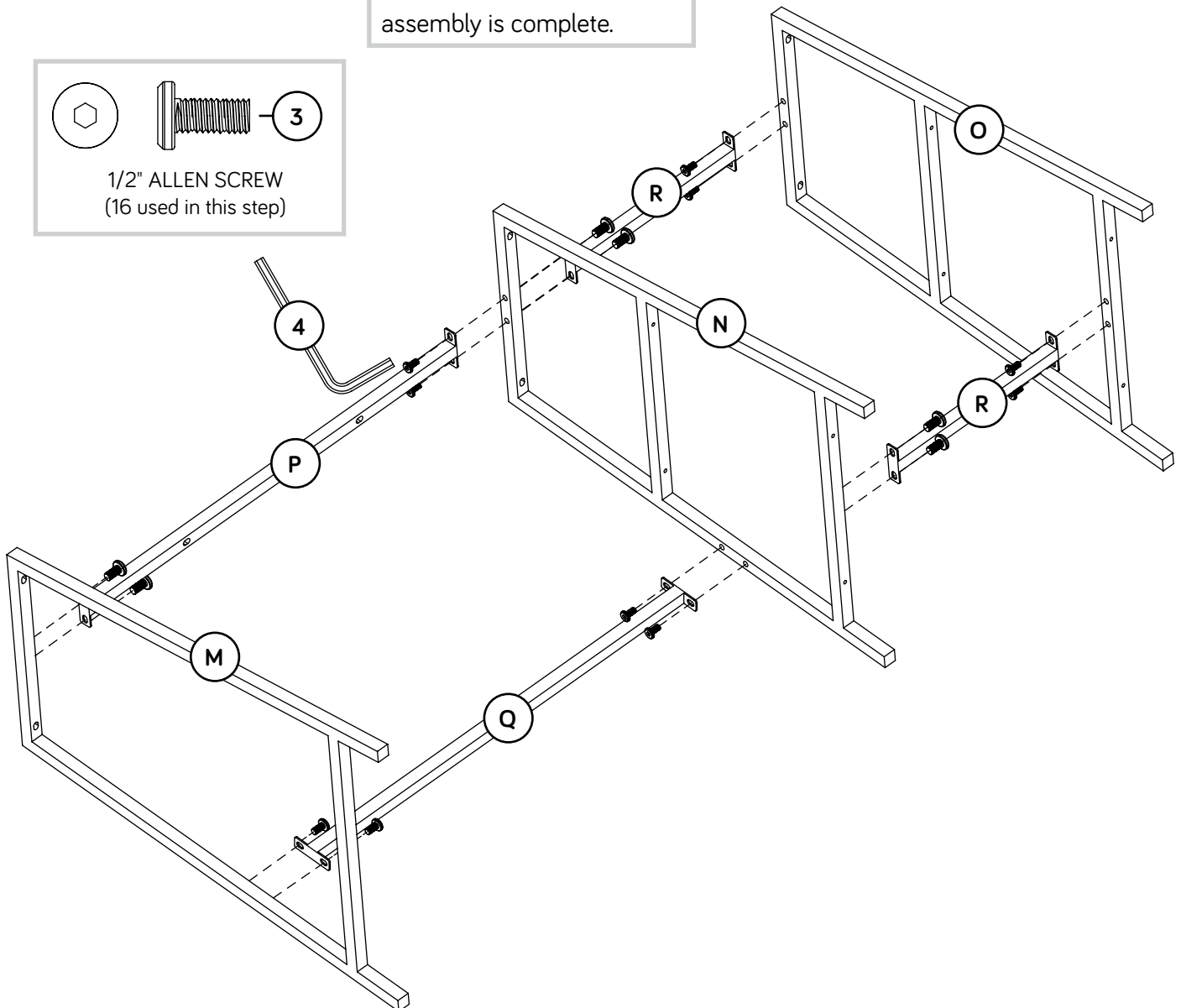


Remember:
Righty tighty.
Lefty loosey.

IMPORTANT: Do not tighten the ALLEN SCREWS until assembly is complete.



1/2" ALLEN SCREW
(16 used in this step)

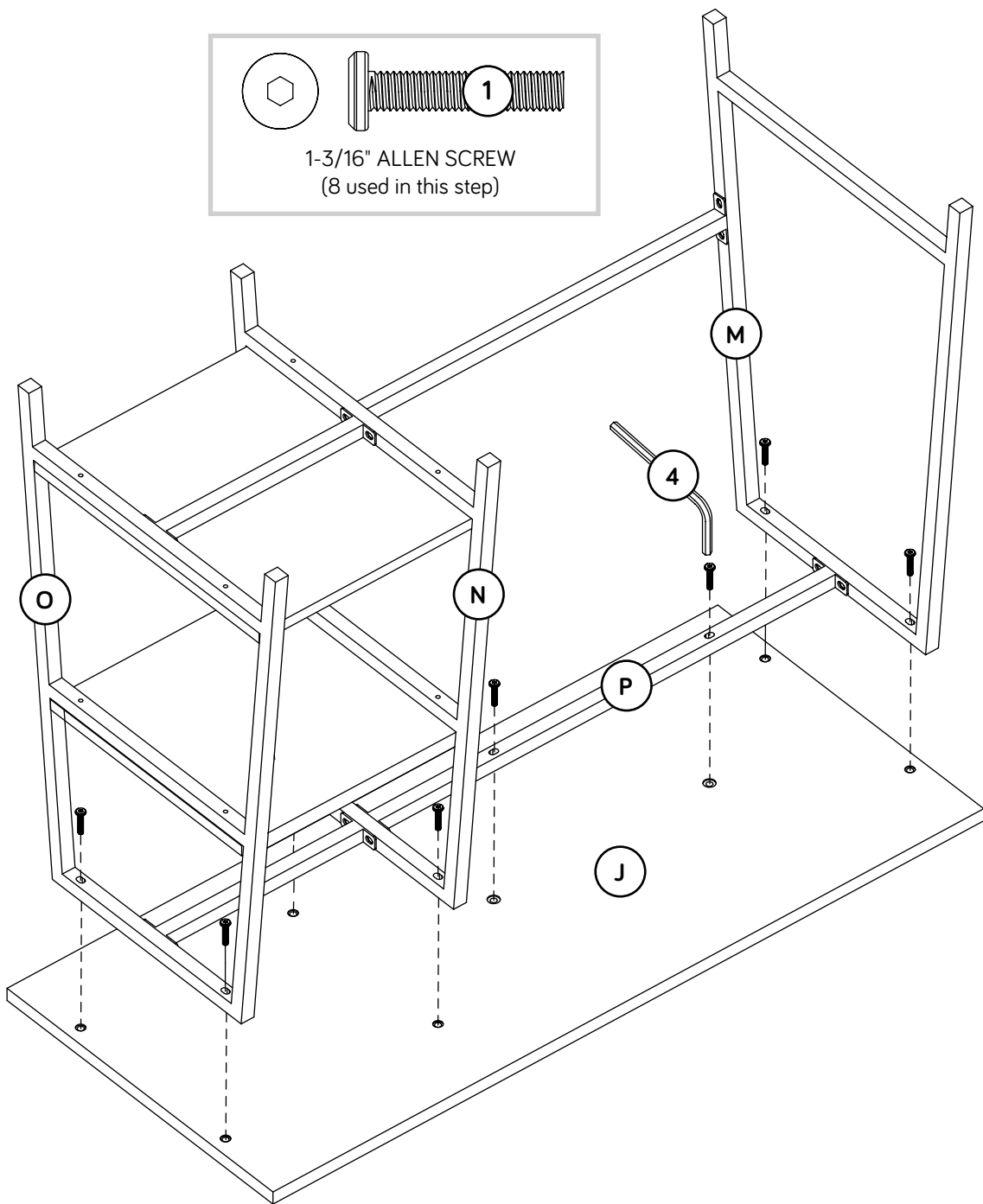
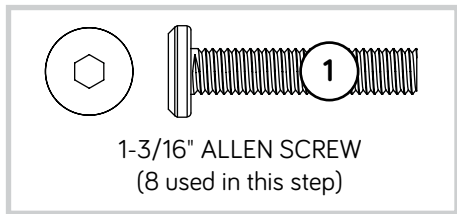


Step 3

- ✚ Flip your unit onto its TOP.
- ✚ Fasten the TOP (J) to the ENDS (M and O), UPRIGHT (N), and LONG TOP BRACE (P). Tighten eight 1-3/16" ALLEN SCREWS (1) using the ALLEN WRENCH (4).
- ✚ Tighten all ALLEN SCREWS with the ALLEN WRENCH.

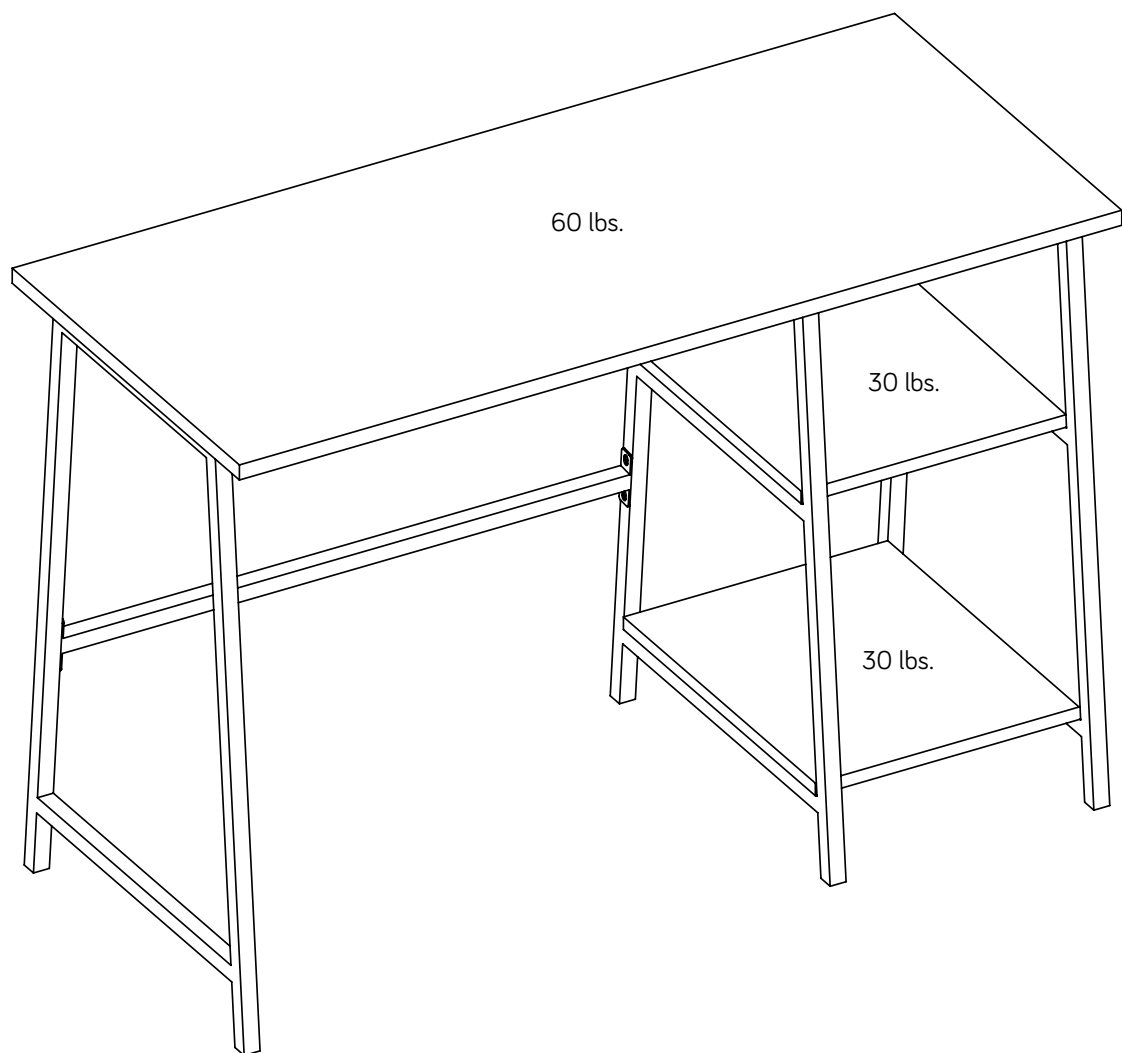


IMPORTANT: Tighten the ALLEN SCREWS before standing your unit upright.



Step 4

- ✦ Carefully stand your unit upright.
- ✦ NOTE: Please read the back pages of the instruction booklet for important safety information.
- ✦ This completes assembly. Clean with a damp cloth. Wipe dry.



⚠ WARNING

Please use your furniture correctly and safely. Improper use can cause safety hazards, or damage to your furniture or household items. *Carefully read the following chart.*

Look out for:	What can happen:	How to avoid the problem:
<ul style="list-style-type: none">• Overloaded shelves and drawers.• Improper loading can cause the product to be top-heavy.	<ul style="list-style-type: none">• Risk of injury.• Top-heavy furniture can tip over.• Overloaded shelves and drawers can break.	<ul style="list-style-type: none">• Never exceed the weight limits shown in the instructions.• Work from bottom to top when loading shelves and drawers. Place the heavier items on the lower shelves or in lower drawers.
<ul style="list-style-type: none">• Improperly moving furniture that is not designed and equipped with casters.	<ul style="list-style-type: none">• Furniture can tip over or break if improperly moved.• Physical injury. Furniture can be very heavy.• Breakage of tops - particularly with double pedestal furniture (drawers at both ends).	<ul style="list-style-type: none">• Unload shelves and drawers from top to bottom before moving the unit.• Do not push furniture, especially on a carpeted floor. Have a friend help you lift the item and set it in place.• Provide support to the center section of the top when lifting the furniture.
<ul style="list-style-type: none">• Placing TVs on furniture items that are not designed to support a television is hazardous.	<ul style="list-style-type: none">• Risk of injury or death. TVs can be very heavy. Plus the weight and location of the picture tube tends to make TVs unbalanced and prone to tipping forward.	<ul style="list-style-type: none">• This product is not designed to support a television.