

Get all **organized**  
and **stuff**.

# Credenza

Clifton Place Collection | **Model 5421317**

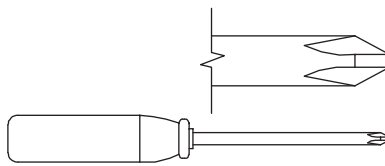
**NOTE:** THIS INSTRUCTION  
BOOKLET CONTAINS **IMPORTANT**  
SAFETY INFORMATION.

PLEASE READ AND KEEP FOR  
FUTURE REFERENCE.

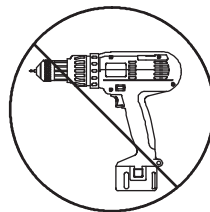
# Table of Contents

# Assembly Tools Required

Part Identification	3
Hardware Identification	3-4
Assembly Steps	5-28
Français	29-32
Español	33-36
Safety	37-38
Warranty	39



No. 2 Phillips Screwdriver  
Tip Shown Actual Size

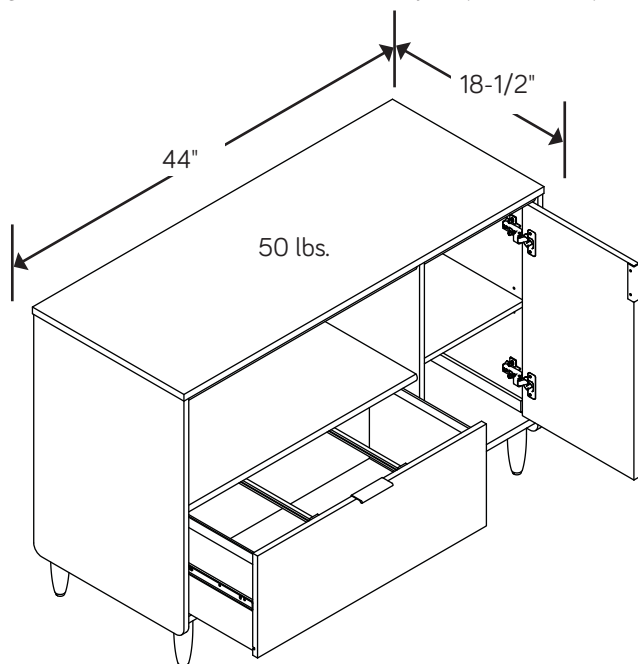


Skip the power trip.  
This time.

## WARNING

Use of a TV that is too heavy or large is hazardous. A TV that is too heavy will create a risk of a tip-over that can cause severe injury or death. A TV that is too large for the available space might be accidentally pushed or bumped off the furniture, or subject to tip-over.

- Check the size and weight of your TV. Compare it to the diagram below – **before you begin assembly!**
- This unit is designed for use with televisions weighing less than 50 pounds. **Never** use with a TV that weighs more.
- The size of the television, front-to-back and side-to-side, must fit within the space defined in the diagram.
  - **Never** place the front edge of the TV past the front edge of the TV support shelf (or stop molding – if equipped)
  - **Never** allow the sides of the TV to extend past the side edges of the TV support surface.
  - If the TV has a CRT picture tube, the picture tube cone may extend past the rear of the support shelf.
- Be sure to apply the warning label as instructed in the last assembly step. The label provides important safety related information.



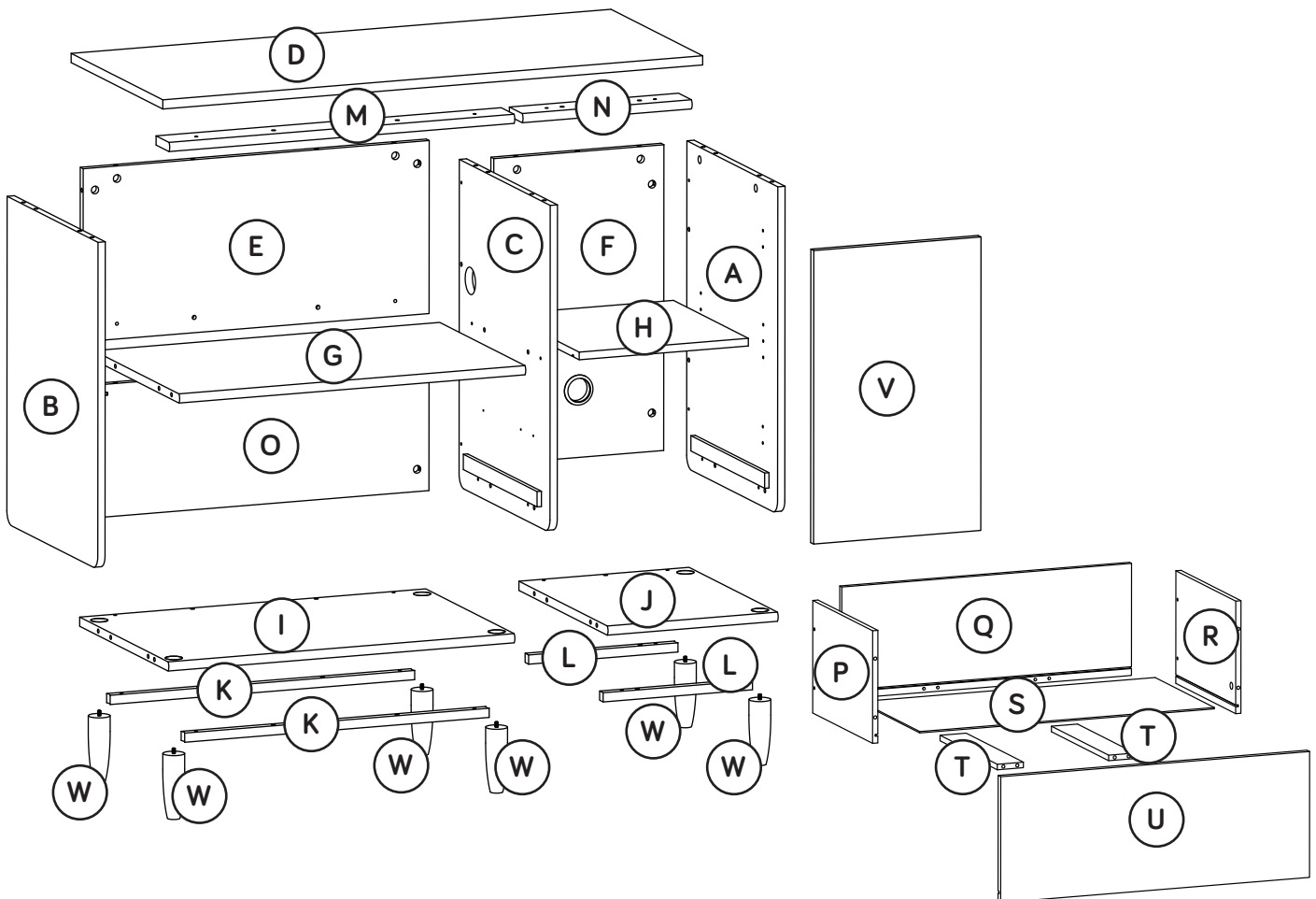
# Part Identification

Now you know  
our ABCs.



While not all parts are labeled, some of the parts will have a label or an inked letter on the edge to help distinguish similar parts from each other. Use this part identification to help identify similar parts.

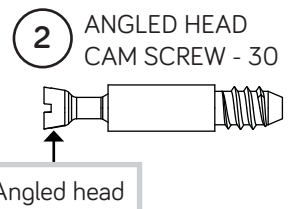
A	RIGHT END (1)	I	LARGE BOTTOM (1)	Q	DRAWER BACK (1)
B	LEFT END (1)	J	SMALL BOTTOM (1)	R	RIGHT DRAWER SIDE (1)
C	UPRIGHT (1)	L	SHORT BOTTOM MOLDING (2)	S	DRAWER BOTTOM (1)
D	TOP (1)	K	LONG BOTTOM MOLDING (2)	T	DRAWER BRACE (2)
E	UPPER BACK (1)	M	LONG TOP MOLDING (1)	U	DRAWER FRONT (1)
F	BACK (1)	N	SHORT TOP MOLDING (1)	V	DOOR (1)
G	SHELF (1)	O	LOWER BACK (1)	W	FOOT (6)
H	ADJUSTABLE SHELF (1)	P	LEFT DRAWER SIDE (1)		



## Hardware Identification

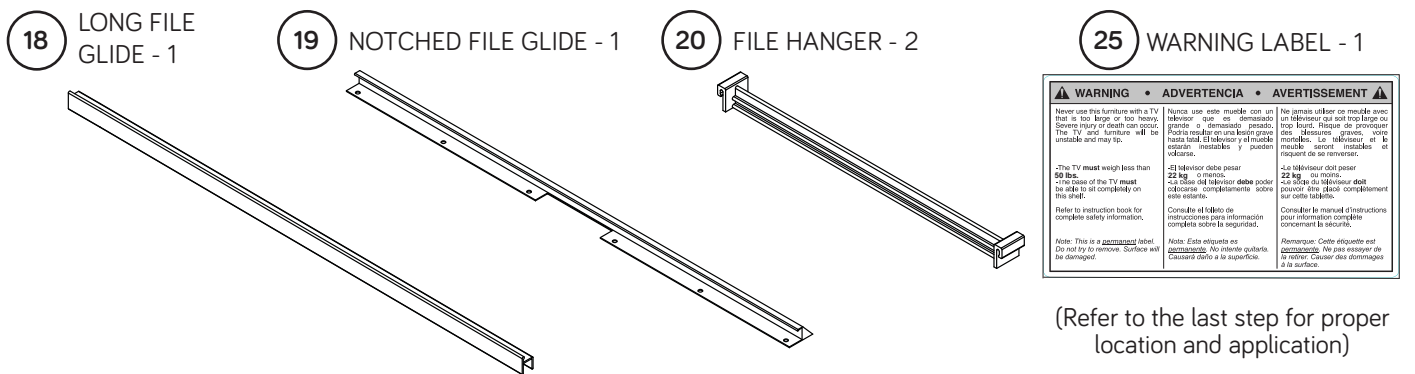
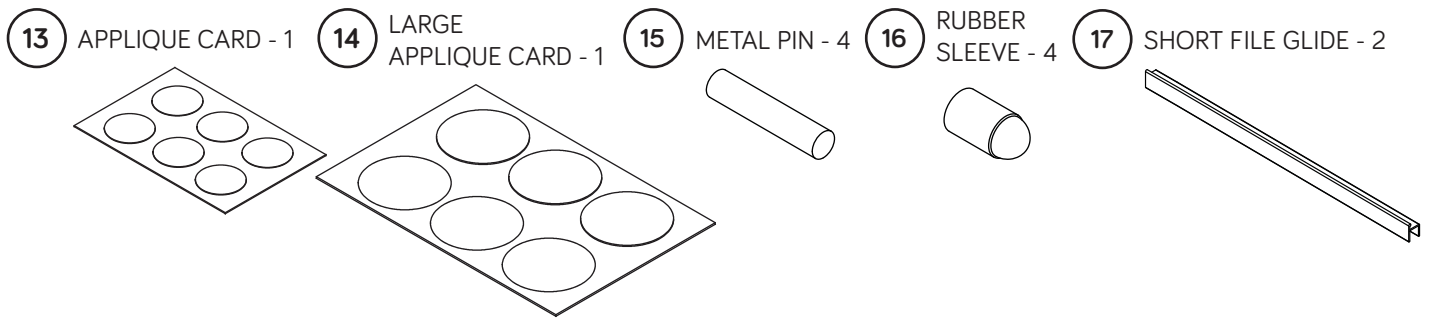
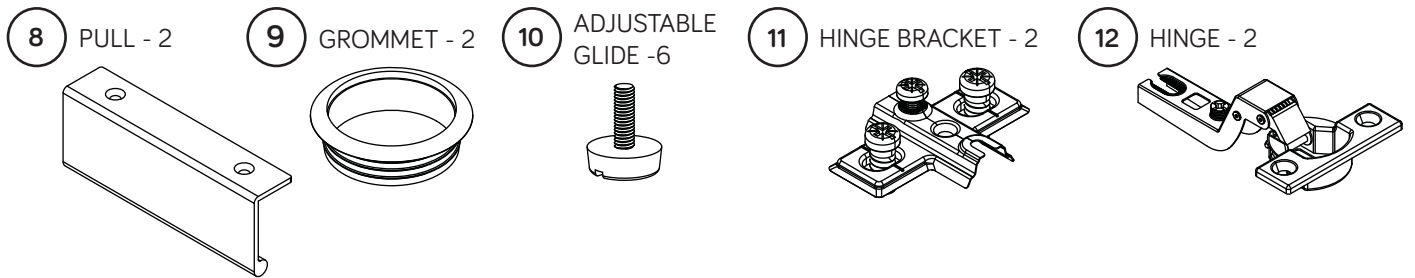
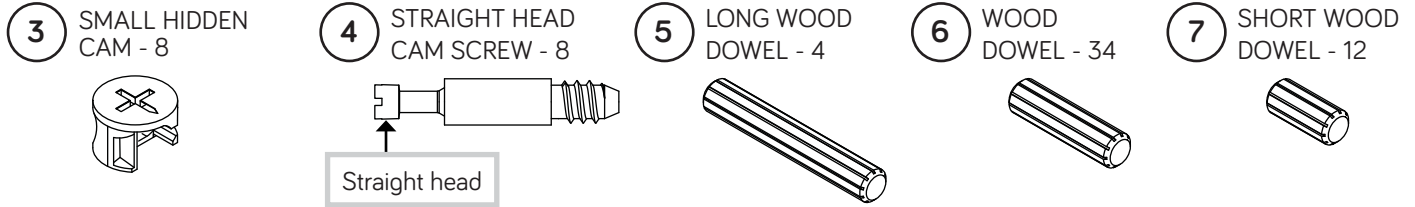


(EXTENSION SET SHOWN SEPARATED)



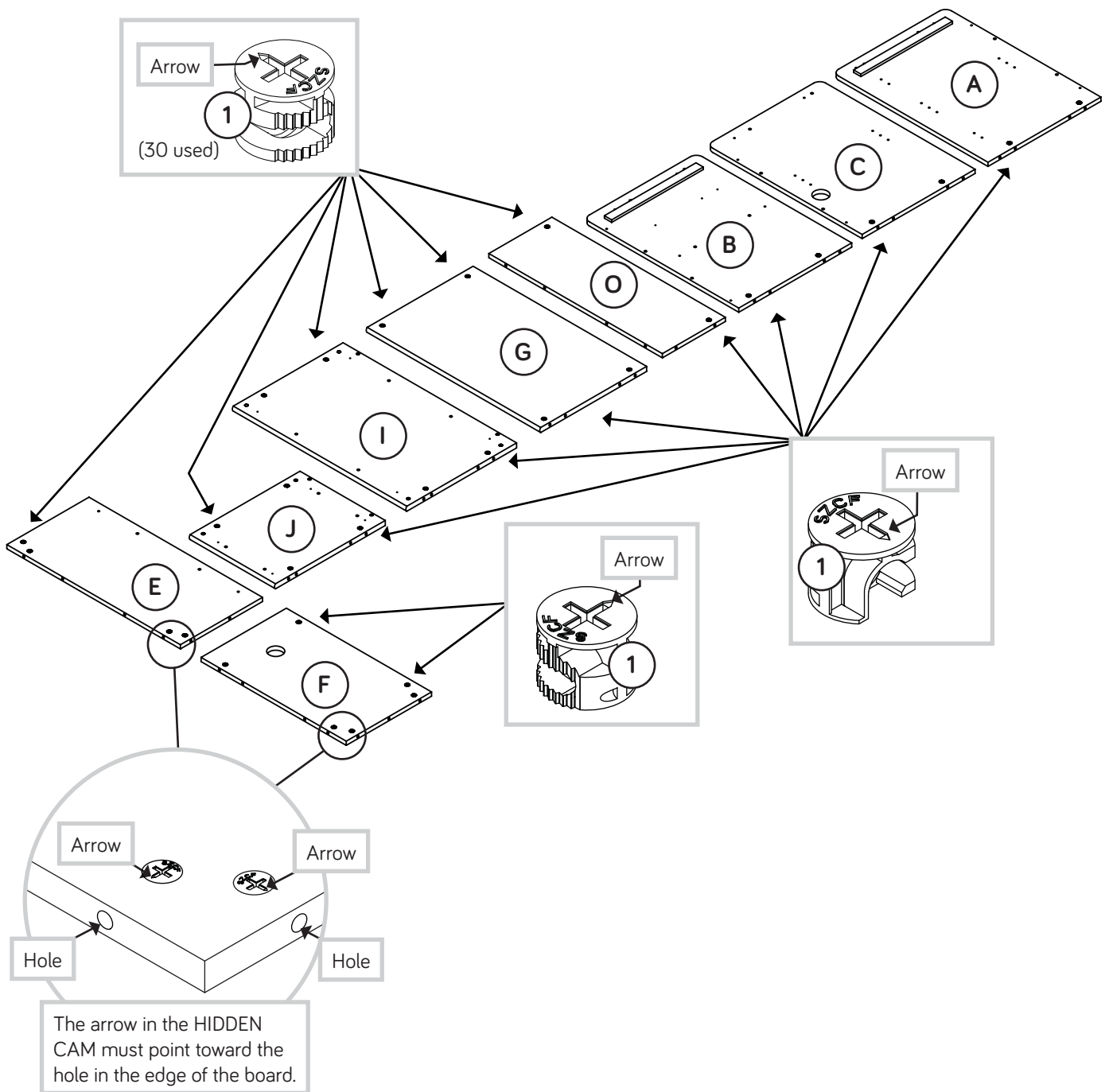
# Hardware Identification

↑ Screws are shown actual size. You may receive extra hardware with your unit.



# Step 1

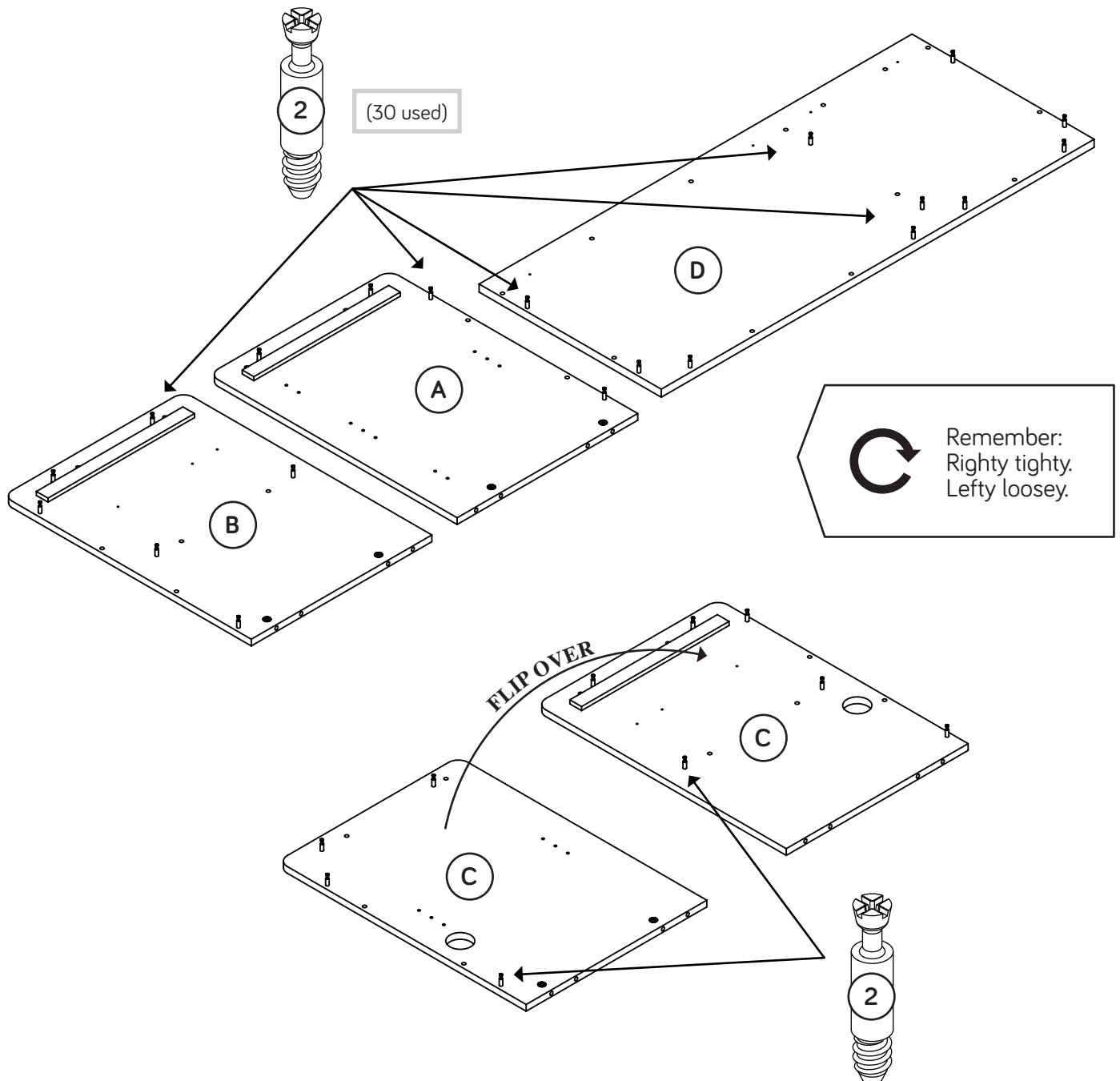
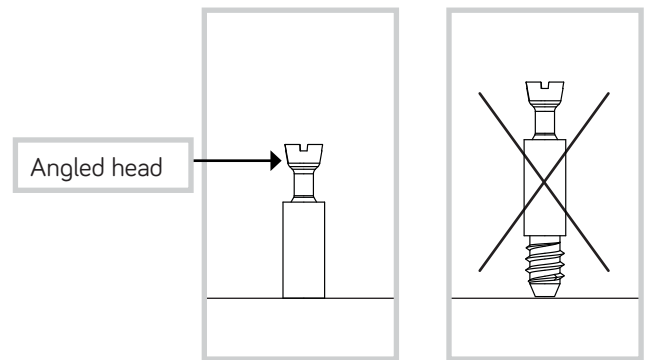
- ✚ Assemble your unit on a carpeted floor or on the empty carton to avoid scratching your unit or the floor.
- ✚ Push thirty HIDDEN CAMS (1) into the ENDS (A and B), UPRIGHT (C), SHELF (G), BACKS (E, F, and O), and BOTTOMS (I and J).



# Step 2

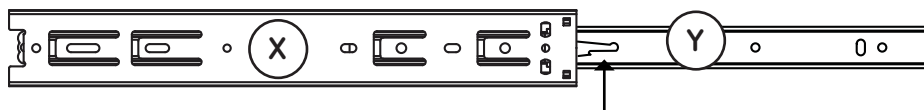
Turn thirty ANGLED HEAD CAM SCREWS (2) into the ENDS (A and B), UPRIGHT (C), and TOP (D).

**NOTE:** The UPRIGHT (C) will have four ANGLED HEAD SCREWS on one surface and six on the opposite surface.



# Step 3

- ✦ Separate the EXTENSION SLIDES (Y) from the EXTENSION RAILS (X) as shown in the enlarged diagram below. Be prepared, the parts are greasy.
- ✦ Fasten the EXTENSION RAILS (X) to the LEFT END (B) and UPRIGHT (C). Use six BLACK 1/2" PAN HEAD SCREWS (23).
- ✦ **NOTE:** For each EXTENSION RAIL, turn a SCREW into the hole shown in the enlarged diagram. Then, slide the inner cartridge of the EXTENSION RAIL in to find the other holes that lines up with the holes in the ENDS. Turn a SCREW into those holes.
- ✦ **NOTE:** The EXTENSION SLIDES (Y) will be used later for the DRAWERS.



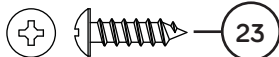
Pull down on the black release lever and pull the SLIDE from the RAIL.



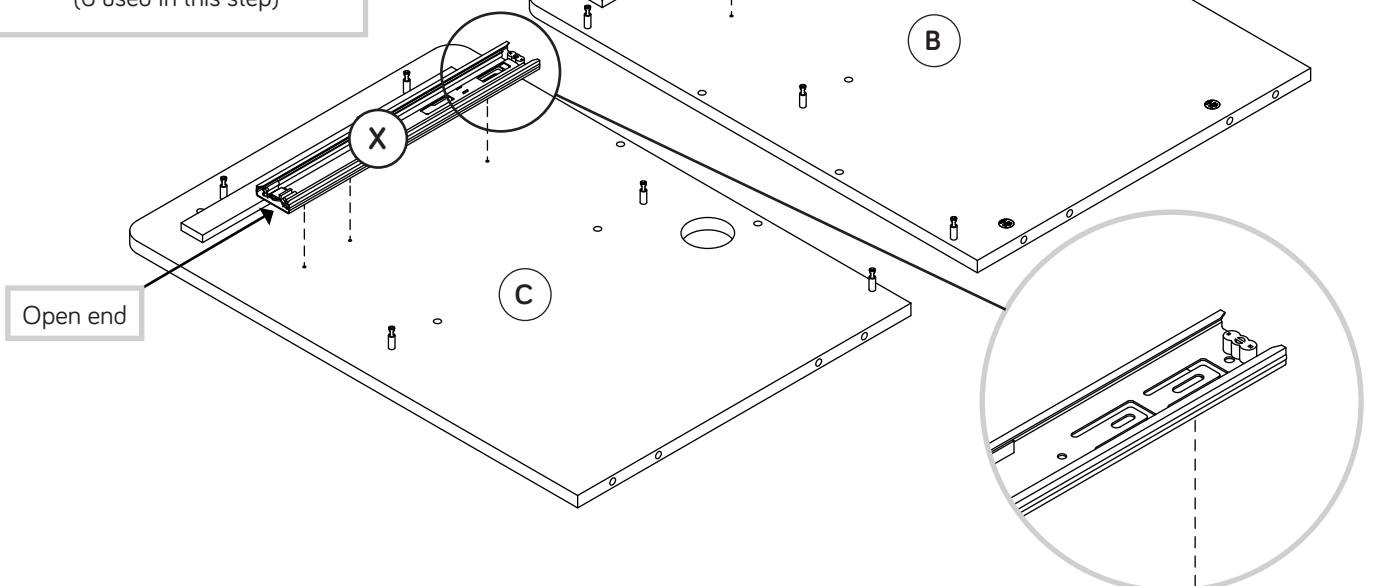
Use these holes.



Open end

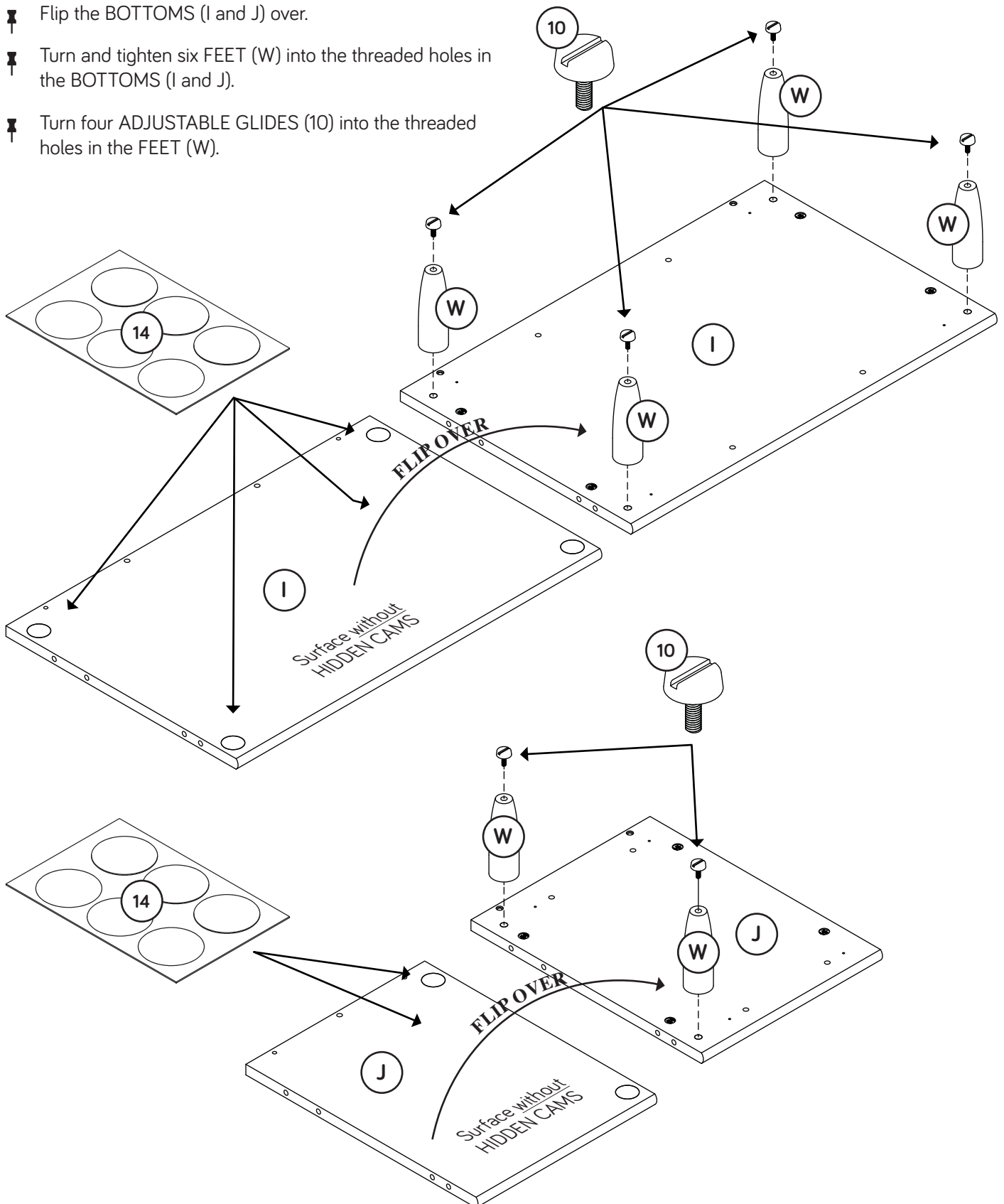


BLACK 1/2" PAN HEAD SCREW  
(6 used in this step)



# Step 4

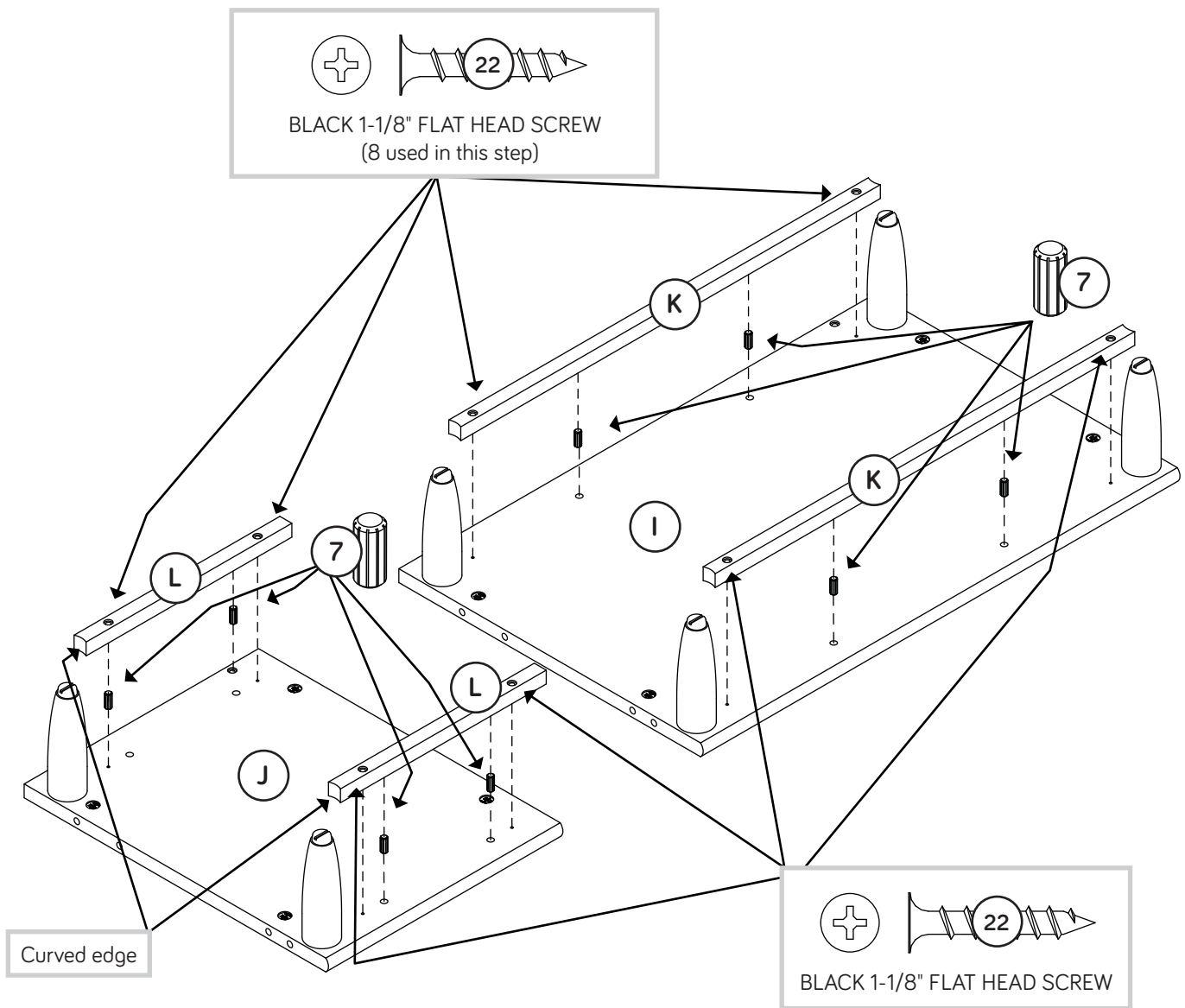
- ✦ Peel an applique from the LARGE APPLIQUE CARD (14) and stick one on each large hole in the BOTTOMS (I and J).
- ✦ Flip the BOTTOMS (I and J) over.
- ✦ Turn and tighten six FEET (W) into the threaded holes in the BOTTOMS (I and J).
- ✦ Turn four ADJUSTABLE GLIDES (10) into the threaded holes in the FEET (W).





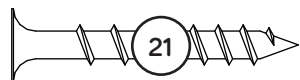
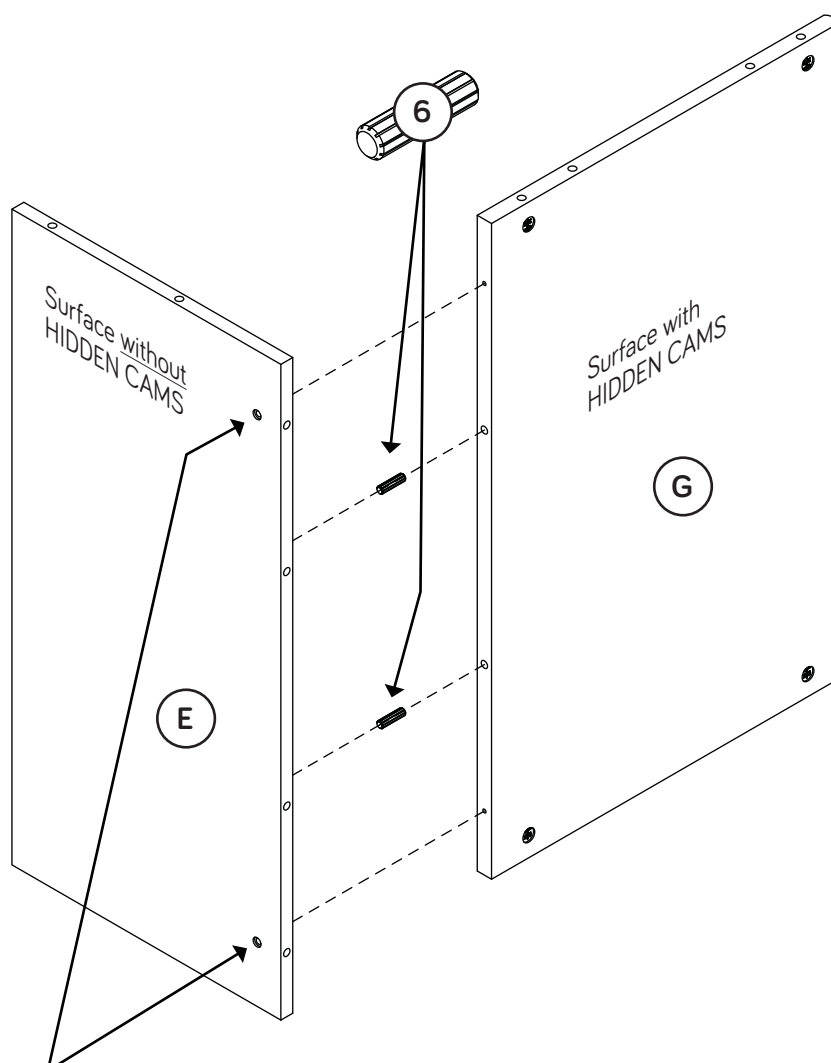
# Step 5

- ✚ Insert eight SHORT WOODEN DOWELS (7) into the BOTTOMS (I and J).
- ✚ Fasten the LONG BOTTOM MOLDINGS (K) to the LARGE BOTTOM (I). Use four BLACK 1-1/8" FLAT HEAD SCREWS (22).
- ✚ Fasten the SHORT BOTTOM MOLDINGS (L) to the SMALL BOTTOM (J). Use four BLACK 1-1/8" FLAT HEAD SCREWS (22).
- ✚ NOTE: Be sure the SHORT WOODEN DOWELS insert into the holes in the BOTTOM MOLDINGS.



# Step 6

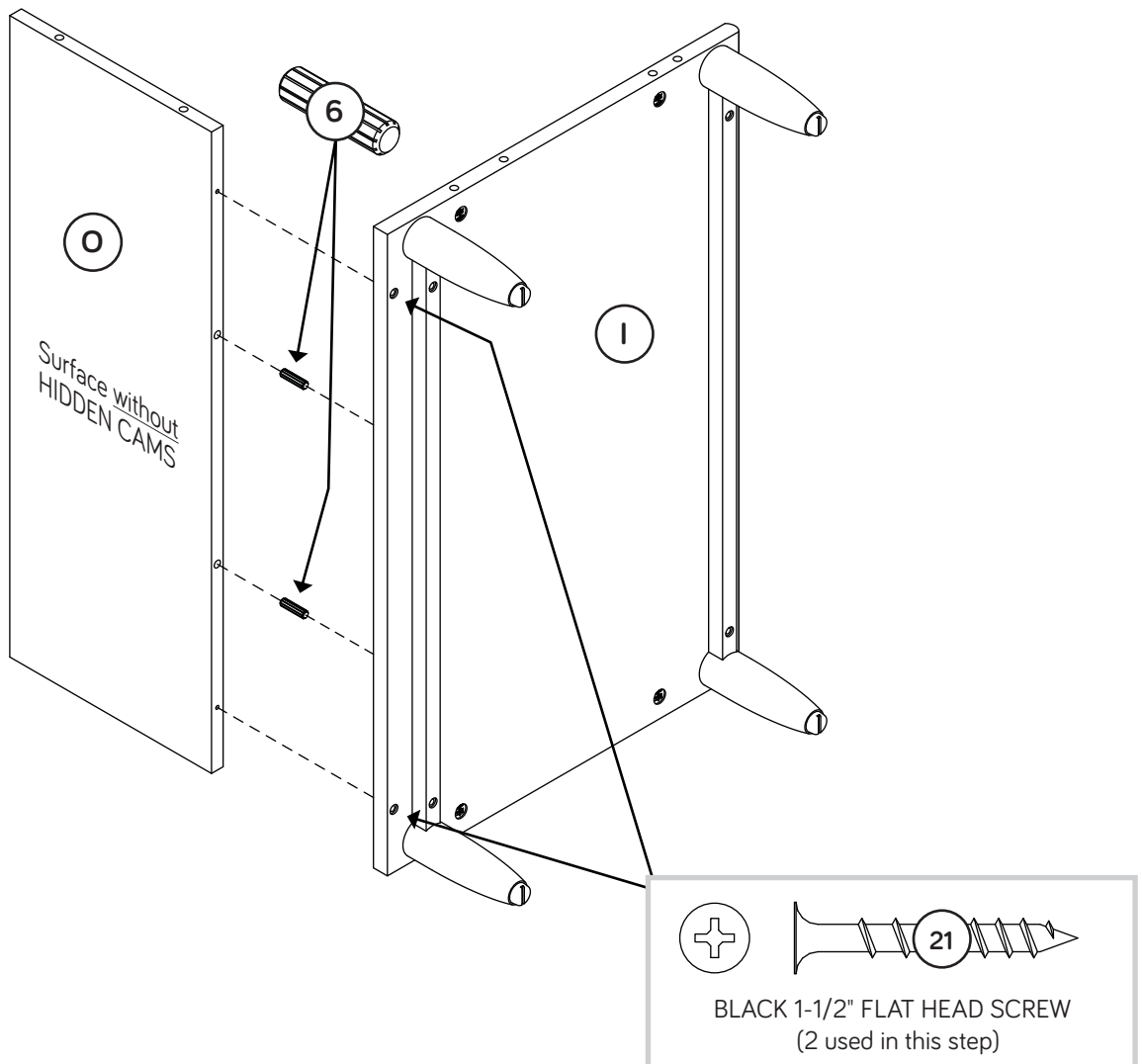
- ✚ Insert two WOOD DOWELS (6) into the edge of the SHELF (G).
- ✚ Fasten the SHELF (G) to the UPPER BACK (E). Use two BLACK 1-1/2" FLAT HEAD SCREWS (21).
- ✚ **NOTE:** Be sure the WOOD DOWELS in the SHELF insert into the holes in the UPPER BACK.



BLACK 1-1/2" FLAT HEAD SCREW  
(2 used in this step)

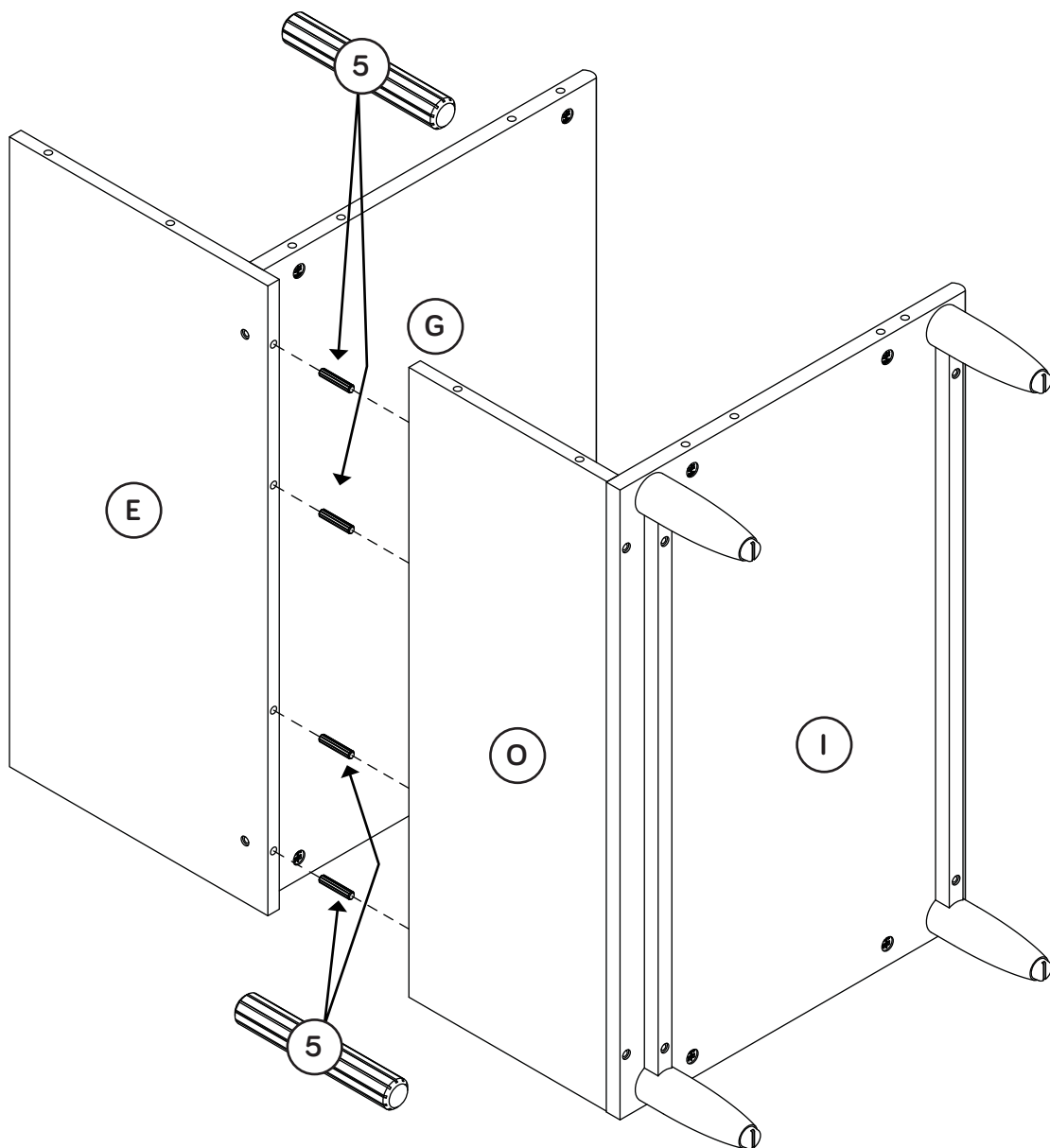
# Step 7

- ✚ Insert two WOOD DOWELS (6) into the edge of the LOWER BACK (O).
- ✚ Fasten the LOWER BACK (O) to the BOTTOM (I). Use two BLACK 1-1/2" FLAT HEAD SCREWS (21).
- ✚ **NOTE:** Be sure the WOOD DOWELS in the LOWER BACK insert into the holes in the BOTTOM.



# Step 8

- ✚ Insert four LONG WOOD DOWELS (5) into the edge of the LOWER BACK (O).
- ✚ Fasten the UPPER BACK (E) to the LOWER BACK (O), by pushing it onto the WOOD DOWELS in the LOWER BACK.
- ✚ Lay your unit onto the BACKS (E and O) to prepare for the next step.

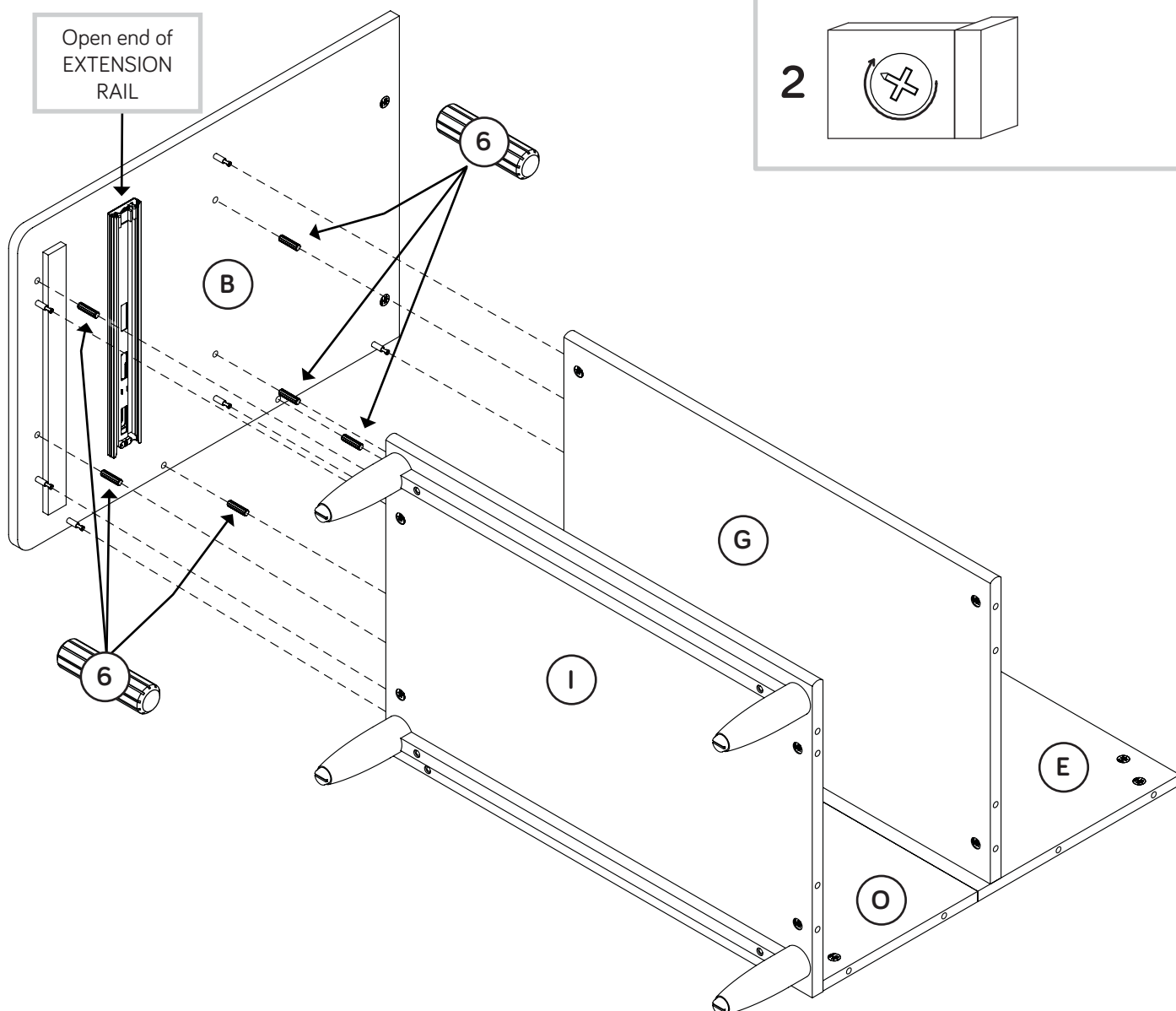


# Step 9

- ✚ Insert six WOOD DOWELS into the LEFT END (B).
- ✚ Fasten the LEFT END (B) to the SHELF (G), BACKS (E and O), and BOTTOM (I). Tighten six HIDDEN CAMS.
- ✚ **NOTE:** Be sure the WOOD DOWELS in the LEFT END insert into the holes in the SHELF, BACKS, and BOTTOM.

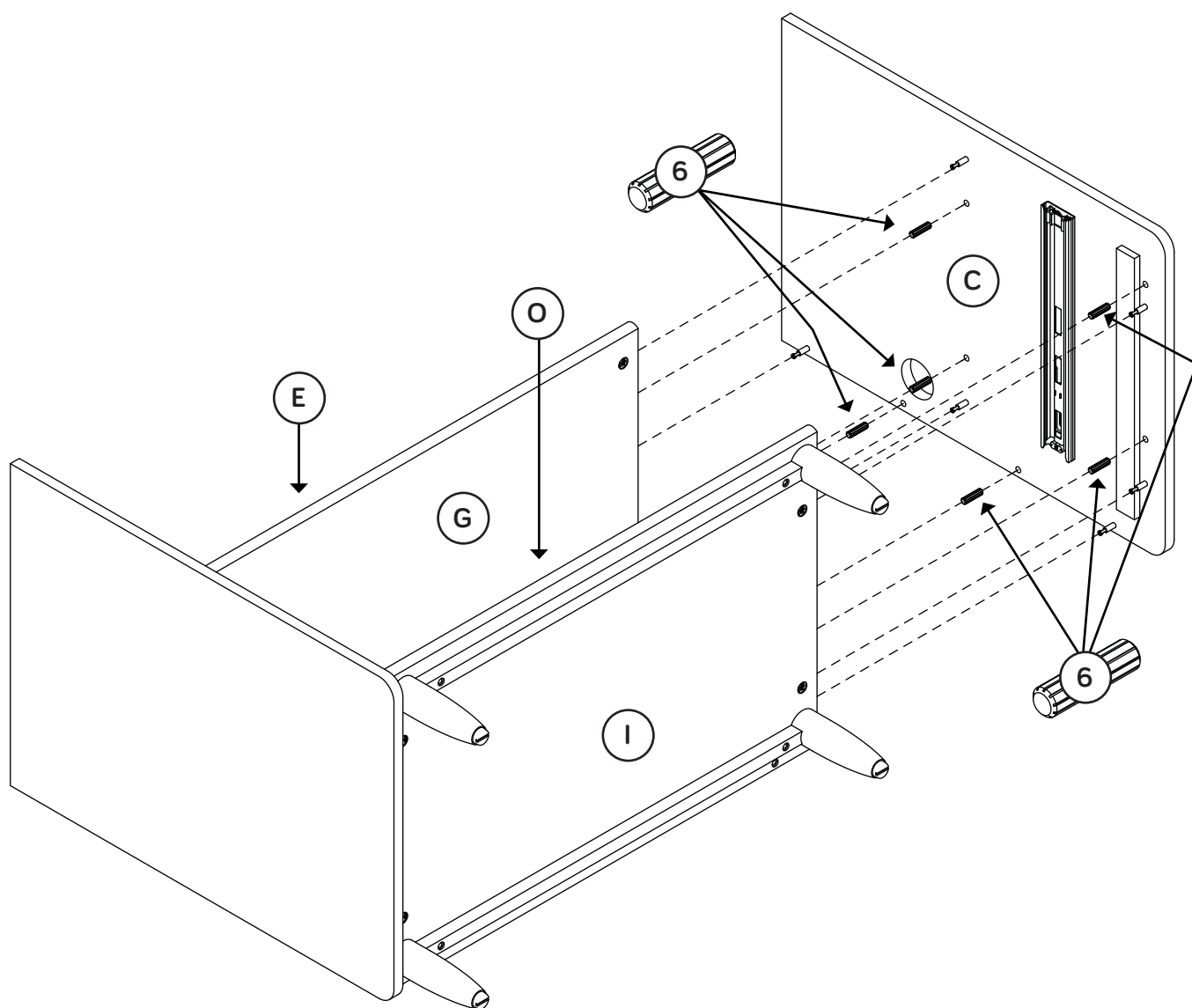
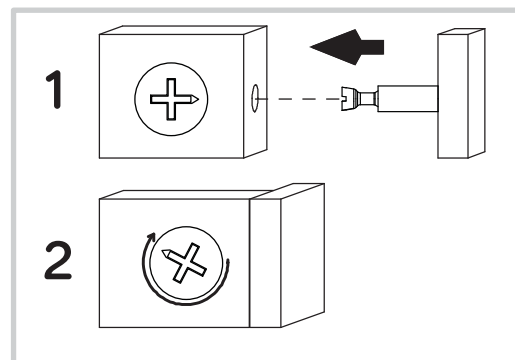


Just breathe.  
It's going to be ok.



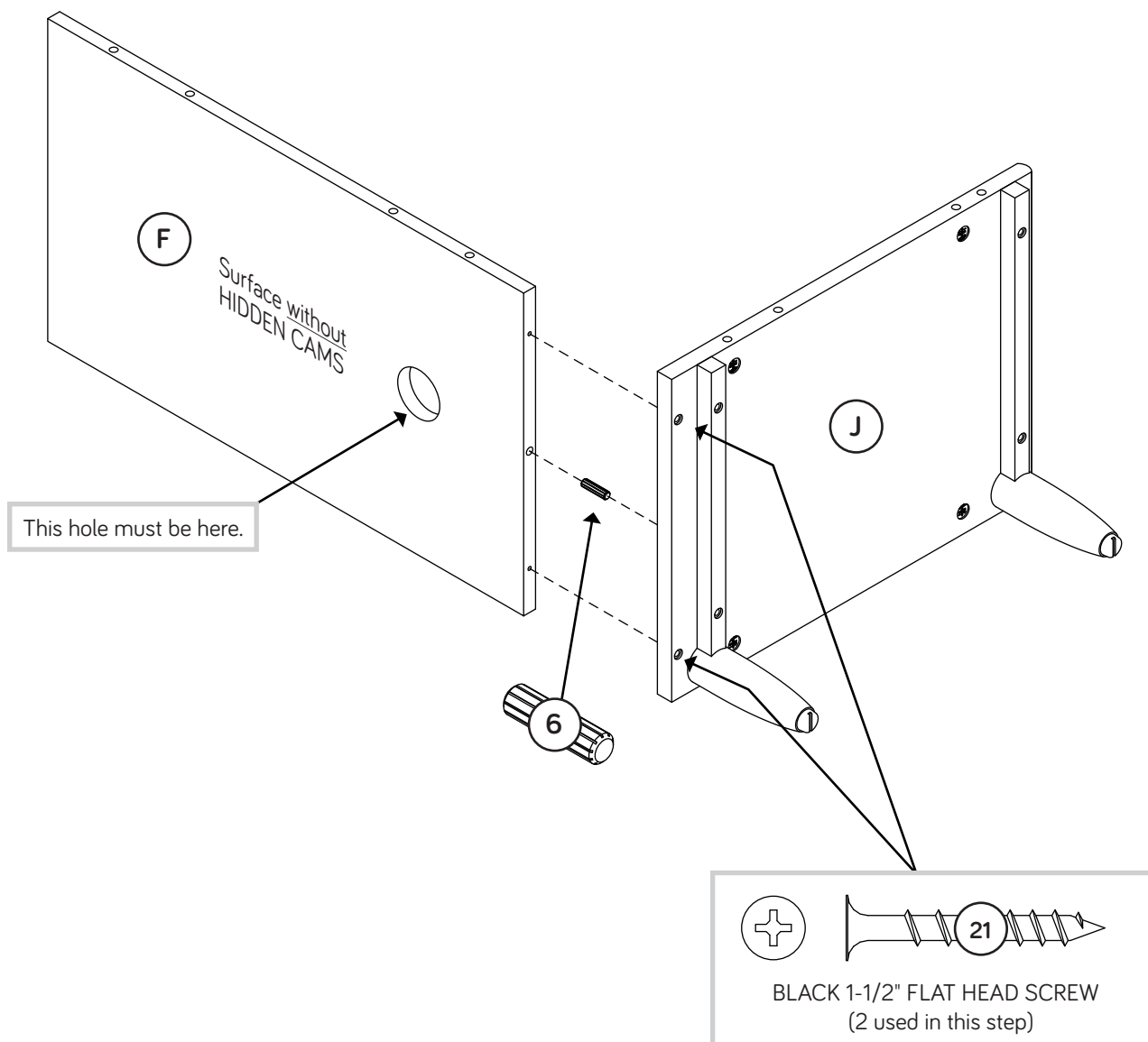
# Step 10

- ✚ Insert six WOOD DOWELS (6) into the UPRIGHT (C).
- ✚ Fasten the UPRIGHT (C) to the SHELF (G), BACKS (E and O), and BOTTOM (I). Tighten six HIDDEN CAMS.
- ✚ **NOTE:** Be sure the WOOD DOWELS in the UPRIGHT (C) insert into the holes in the SHELF, BACKS, and BOTTOM.



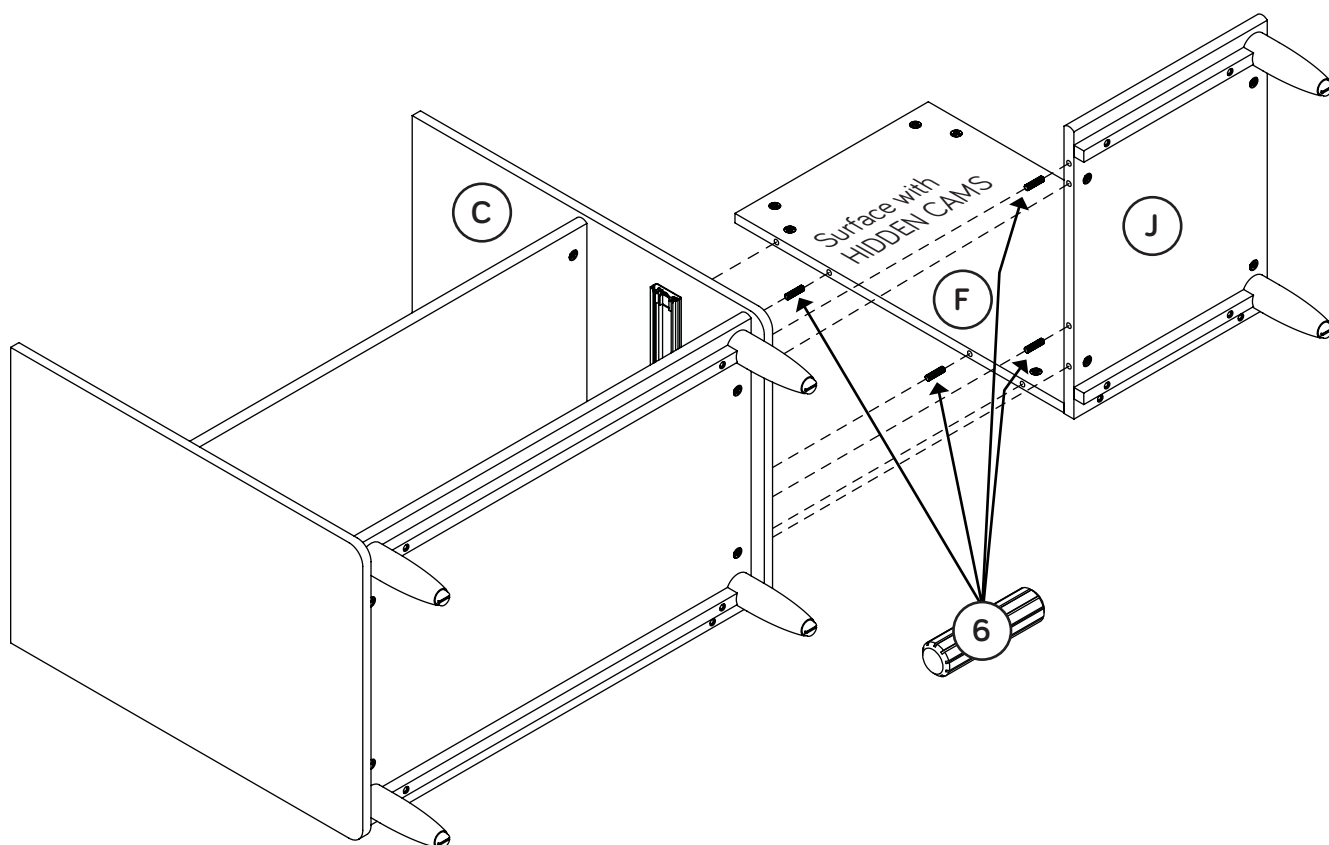
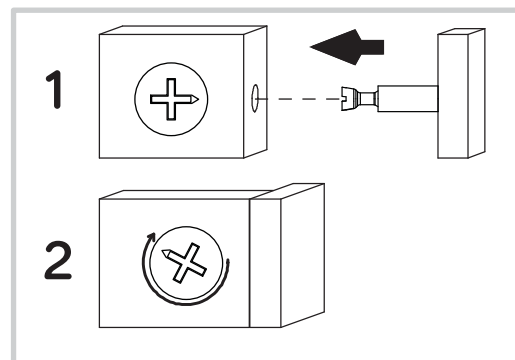
# Step 11

- ✚ Insert a WOOD DOWEL (6) into the hole in the edge of the BACK (F).
- ✚ Fasten the SMALL BOTTOM (J) to the BACK (F). Use two BLACK 1-1/2" FLAT HEAD SCREWS (21).
- ✚ **NOTE:** Be sure the WOOD DOWEL in the BACK inserts into the holes in the SMALL BOTTOM.
- ✚ Lay the BACK (F) onto the floor to prepare for the next step.



# Step 12

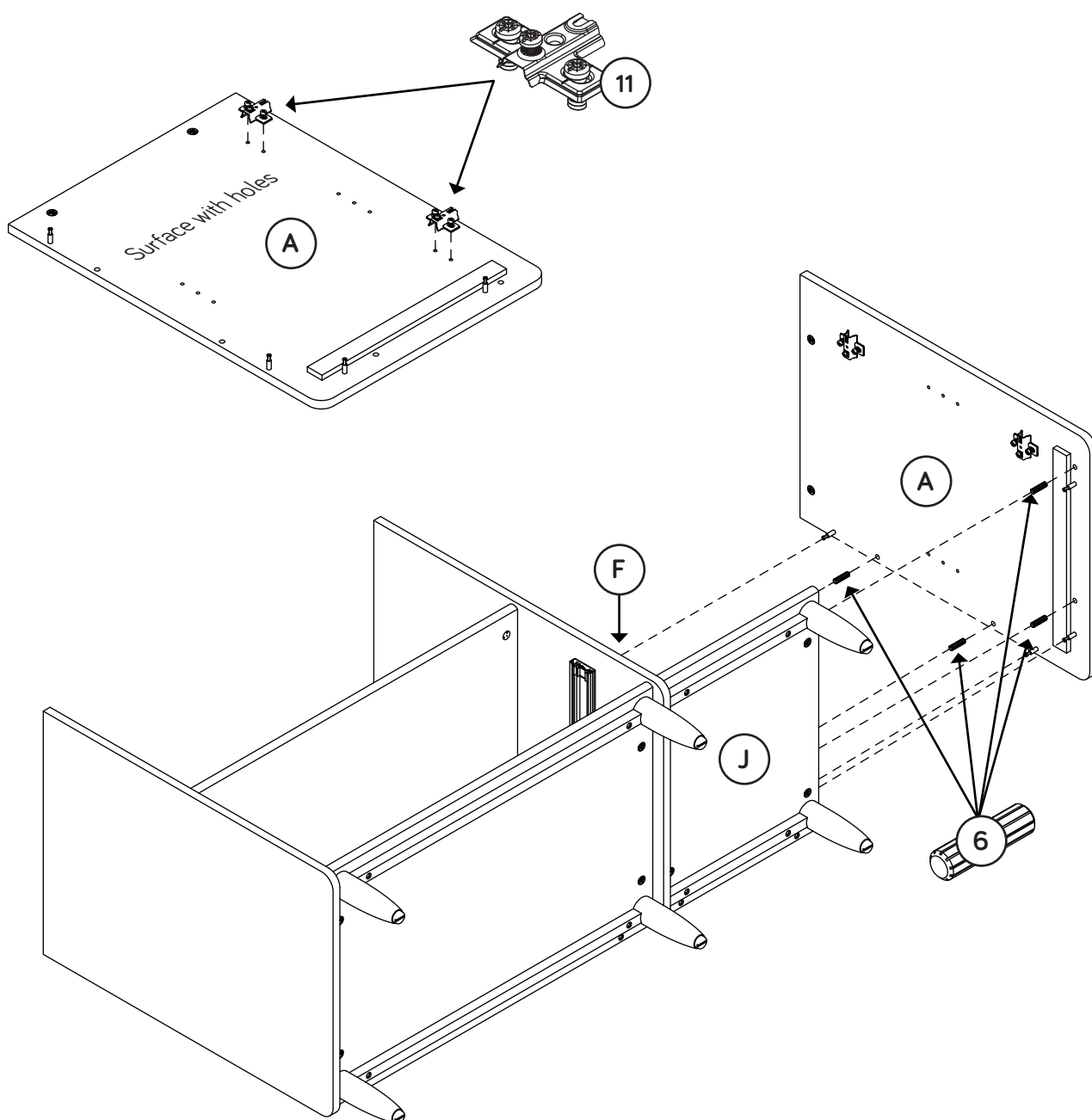
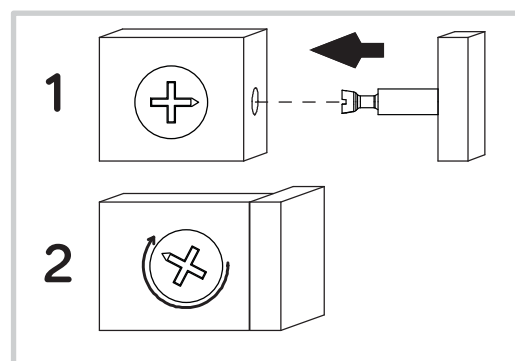
- ✚ Insert four WOOD DOWELS (6) into the UPRIGHT (C).
- ✚ Fasten the BACK (F) and SMALL BOTTOM (J) to the UPRIGHT (C). Tighten four HIDDEN CAMS.
- ✚ **NOTE:** Be sure the WOOD DOWELS in the UPRIGHT (C) insert into the BACK and SMALL BOTTOM.





# Step 13

- Fasten the HINGE BRACKETS (11) to the RIGHT END (A) exactly as shown in the upper diagram. Use the SCREWS in the brackets.
- Insert four WOOD DOWELS (6) into the RIGHT END (A).
- Fasten the RIGHT END (A) to the BACK (F) and SMALL BOTTOM (J). Tighten four HIDDEN CAMS.
- NOTE:** Be sure the WOOD DOWELS in the RIGHT END (A) insert into the holes in the BACK and SMALL BOTTOM.

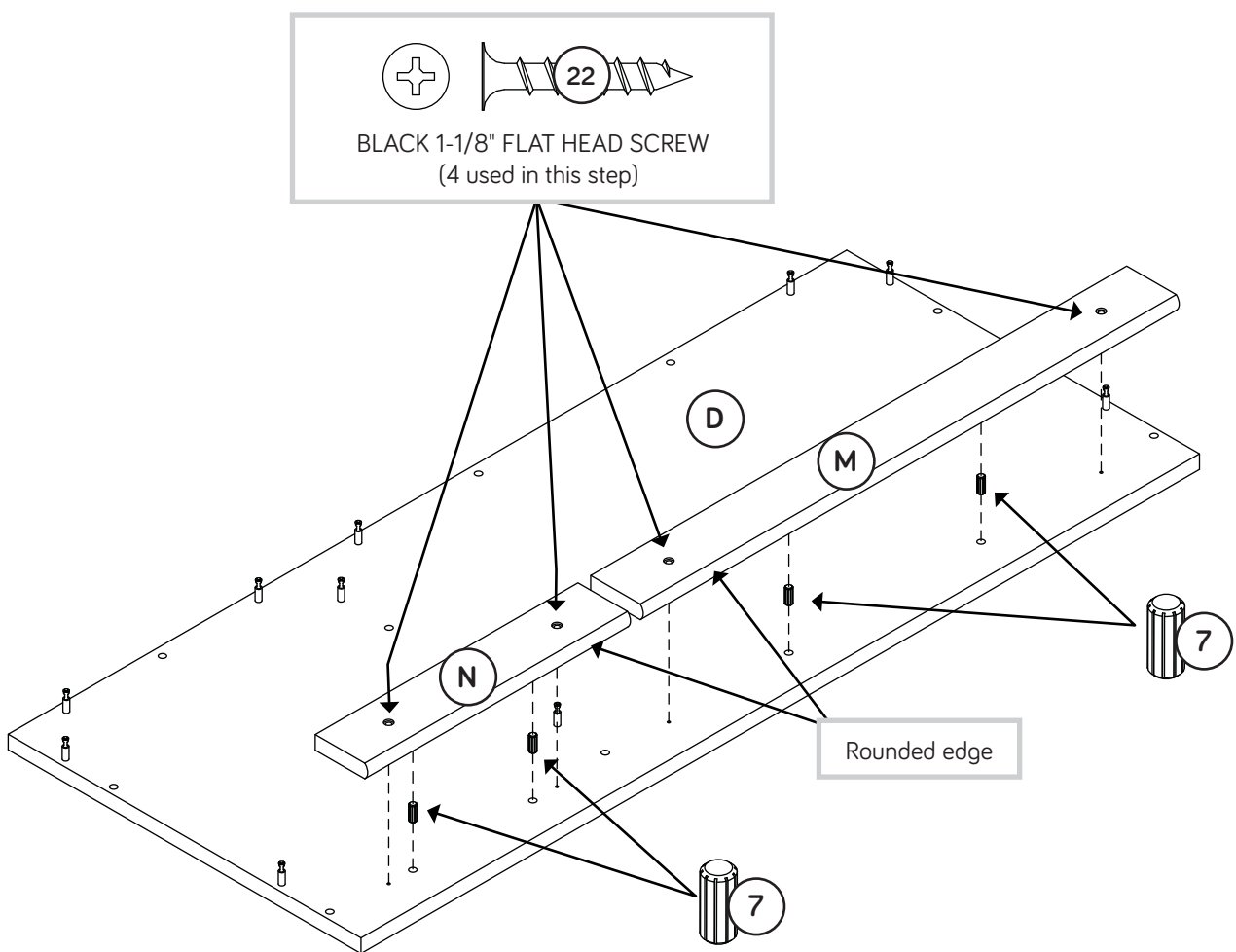


# Step 14

- ✚ Insert four SHORT WOODEN DOWELS (7) into the TOP (D).
- ✚ Fasten the TOP MOLDINGS (M and N) to the TOP (D).  
Use four BLACK 1-1/8" FLAT HEAD SCREWS (22).
- ✚ **NOTE:** Be sure the SHORT WOOD DOWELS in the TOP insert into the holes in the TOP MOLDINGS.



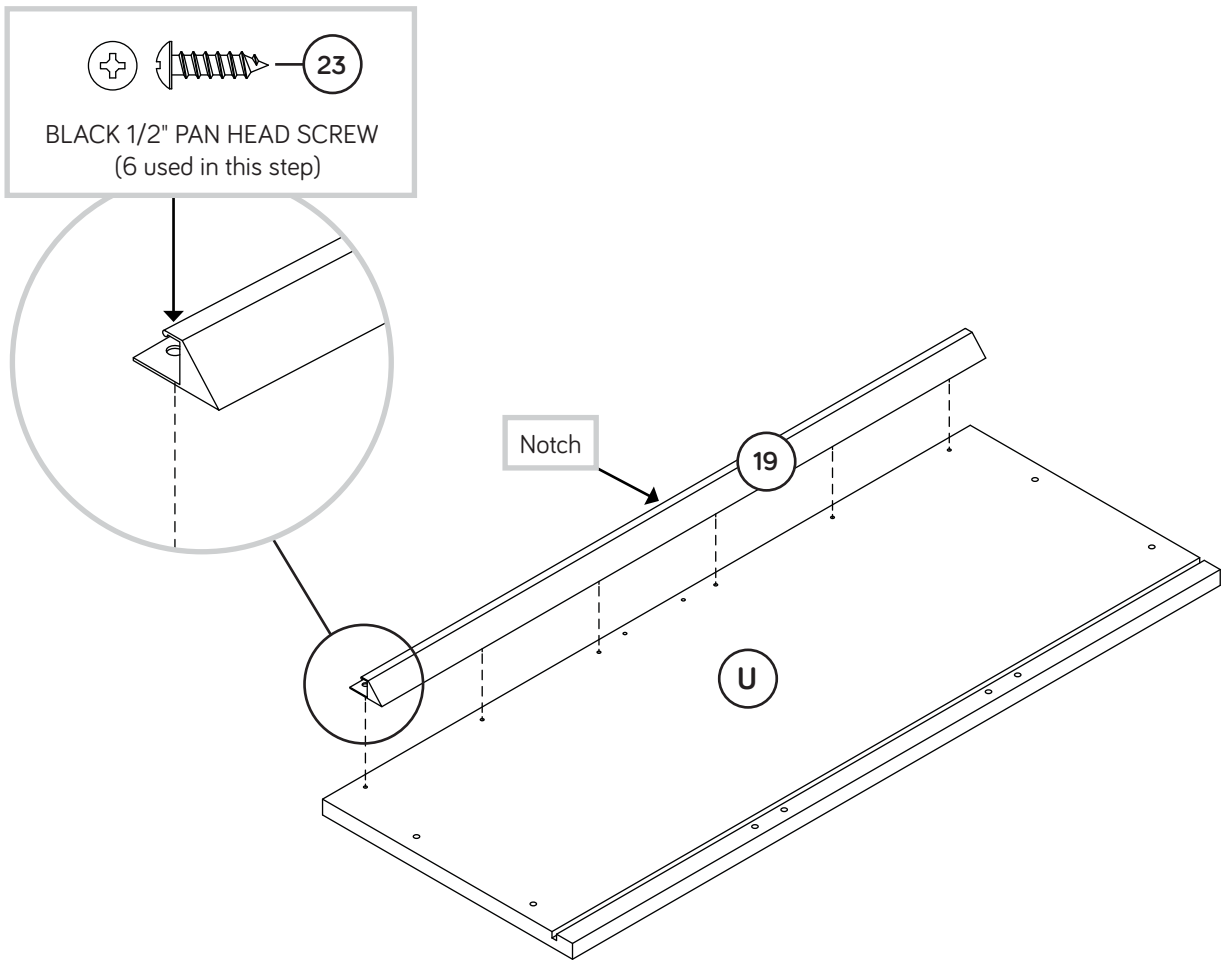
Now might be a good time to refresh your drink.





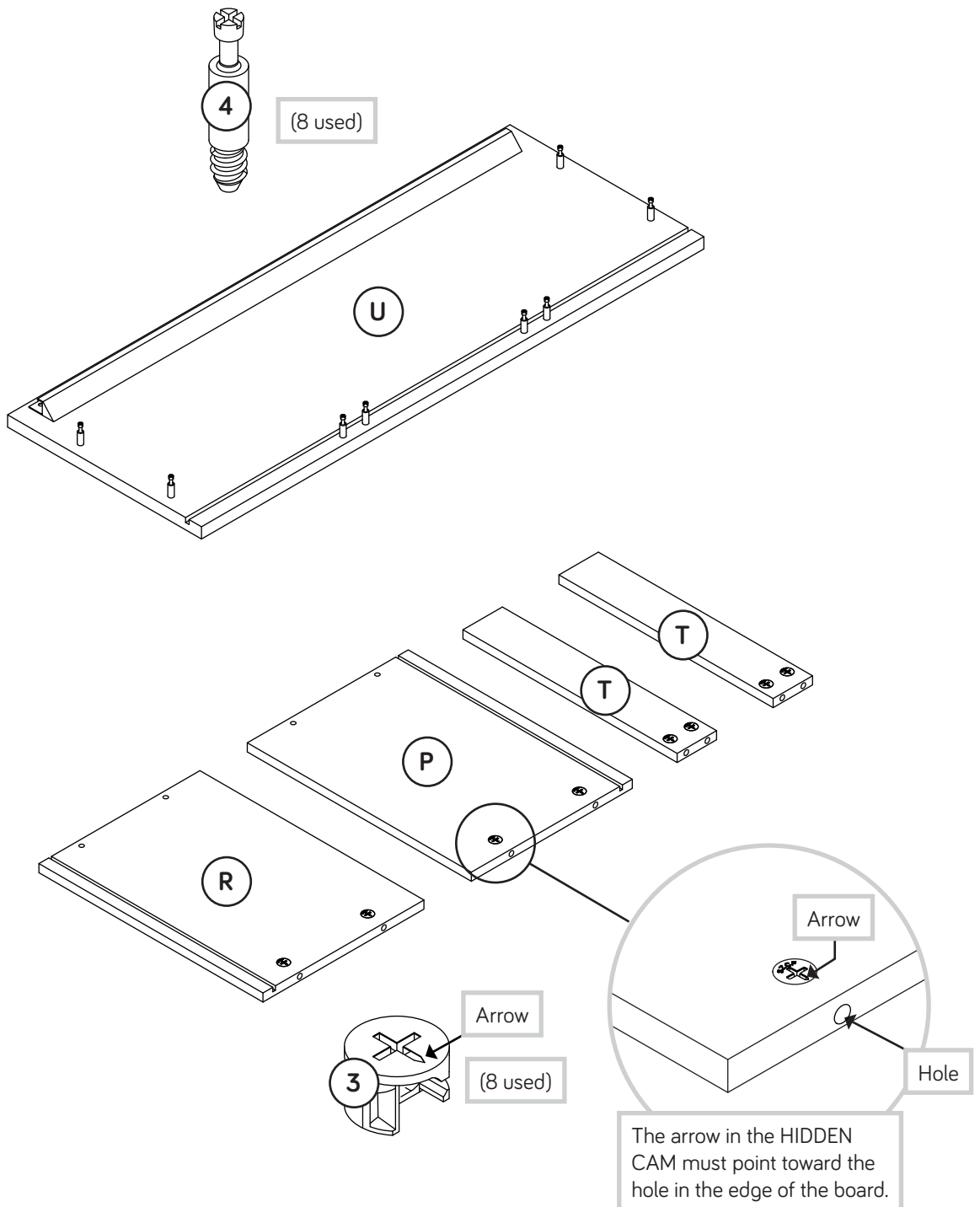
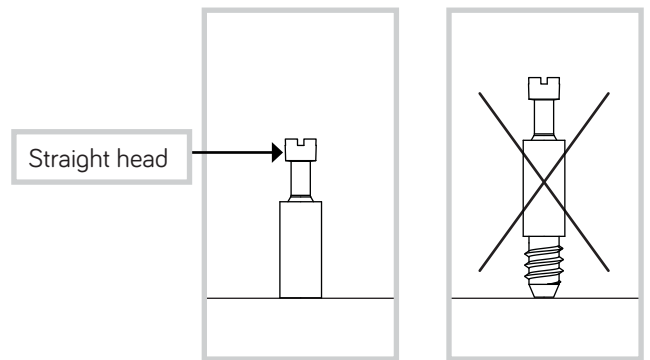
# Step 16

- Fasten the NOTCHED FILE GLIDE (19) to the DRAWER FRONT (U). Use six BLACK 1/2" PAN HEAD SCREWS (23).

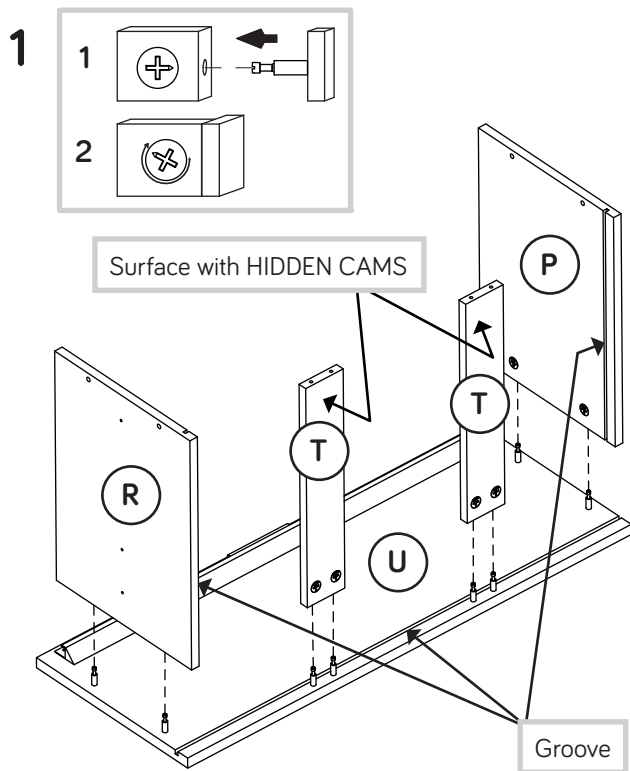


# Step 17

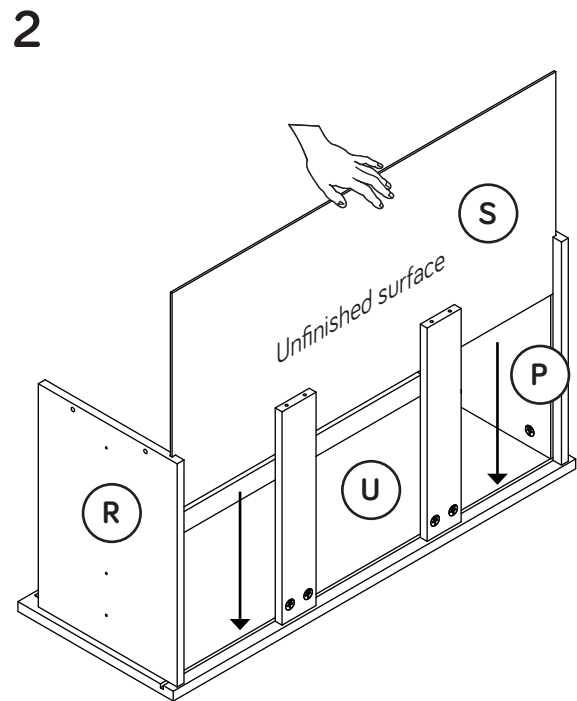
- Turn eight STRAIGHT HEAD CAM SCREWS (4) into the DRAWER FRONT (U).
- Push eight SMALL HIDDEN CAMS (3) into the large holes in the DRAWER SIDES (P and R) and DRAWER BRACES (T).



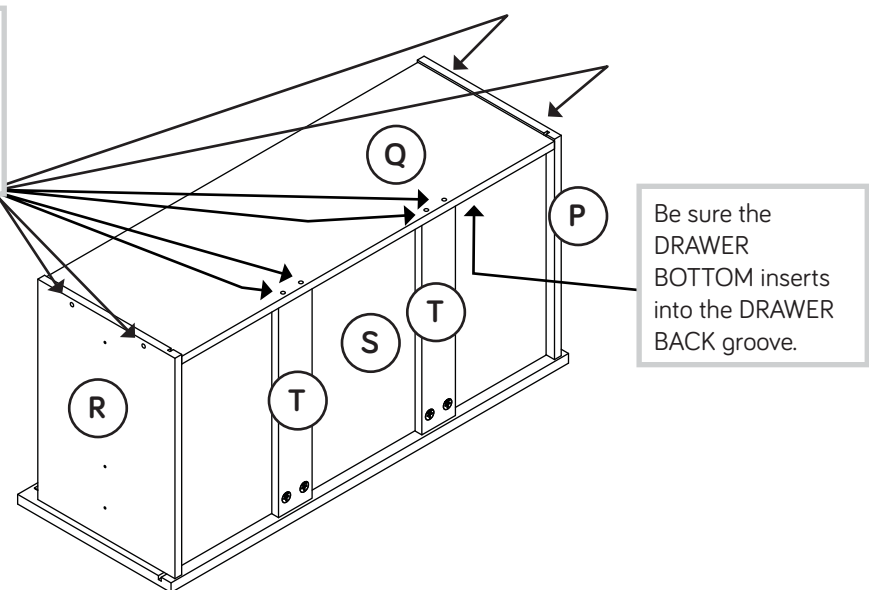
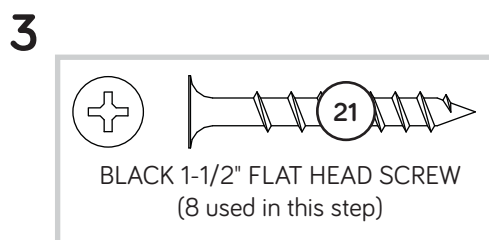
# Step 18



🔧 Fasten the DRAWER SIDES (P and R) and the DRAWER BRACES (T) to the DRAWER FRONT (U). Tighten eight SMALL HIDDEN CAMS.



🔧 Slide the DRAWER BOTTOM (S) into the grooves in the DRAWER SIDES (P and R) and DRAWER FRONT (U).



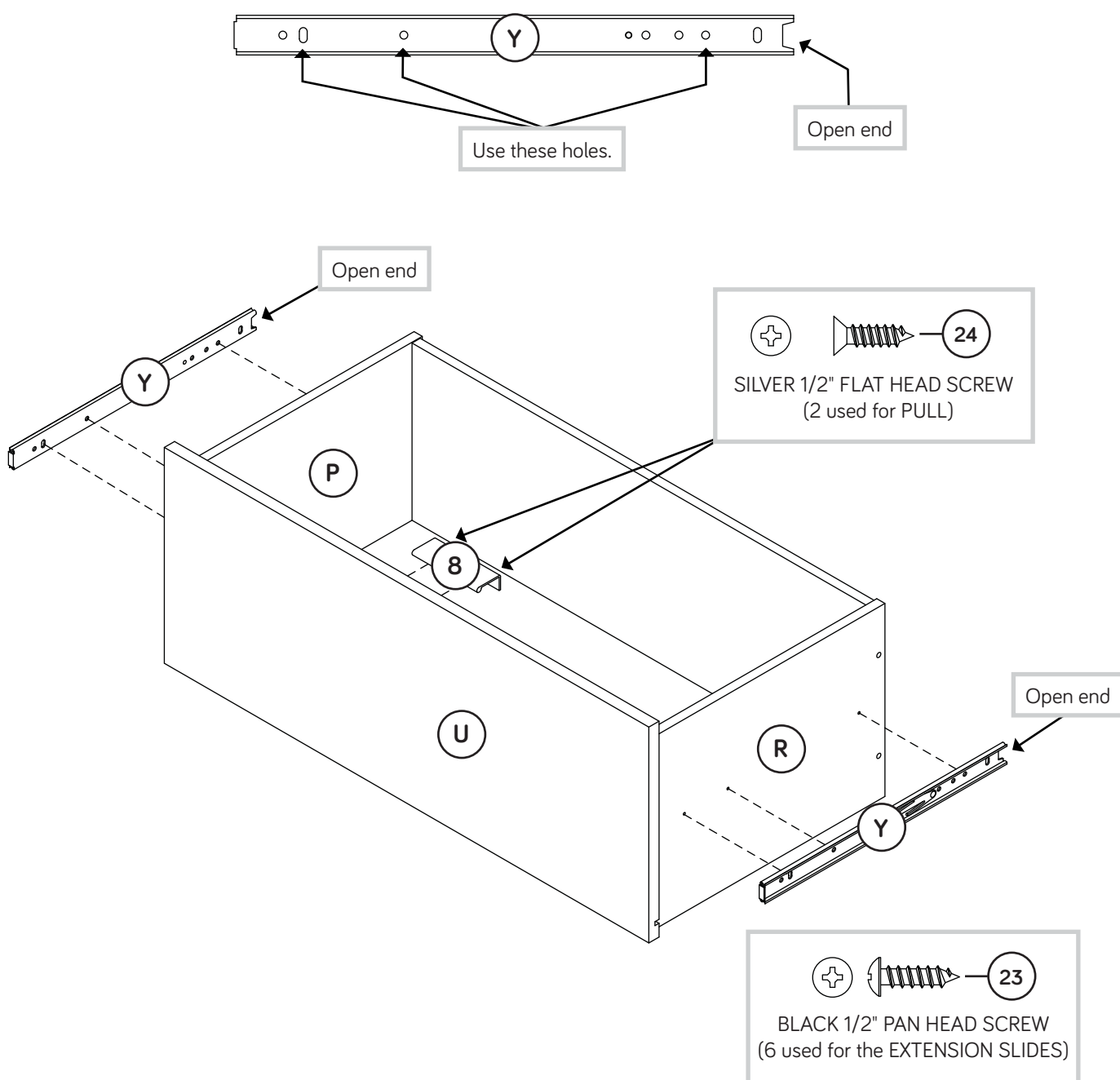
🔧 Fasten the DRAWER BACK (Q) to the DRAWER SIDES (P and R) and DRAWER BRACES (T). Use eight BLACK 1-1/2" FLAT HEAD SCREWS (21).

🔧 NOTE: Be sure the DRAWER BOTTOM (S) inserts into the groove of the DRAWER BACK (Q).

# Step 19

Fasten the EXTENSION SLIDES (Y) to the DRAWER SIDES (P and R). Use six BLACK 1/2" PAN HEAD SCREWS (23).

Fasten a PULL (8) to the DRAWER FRONT (U). Use two SILVER 1/2" FLAT HEAD SCREWS (24).

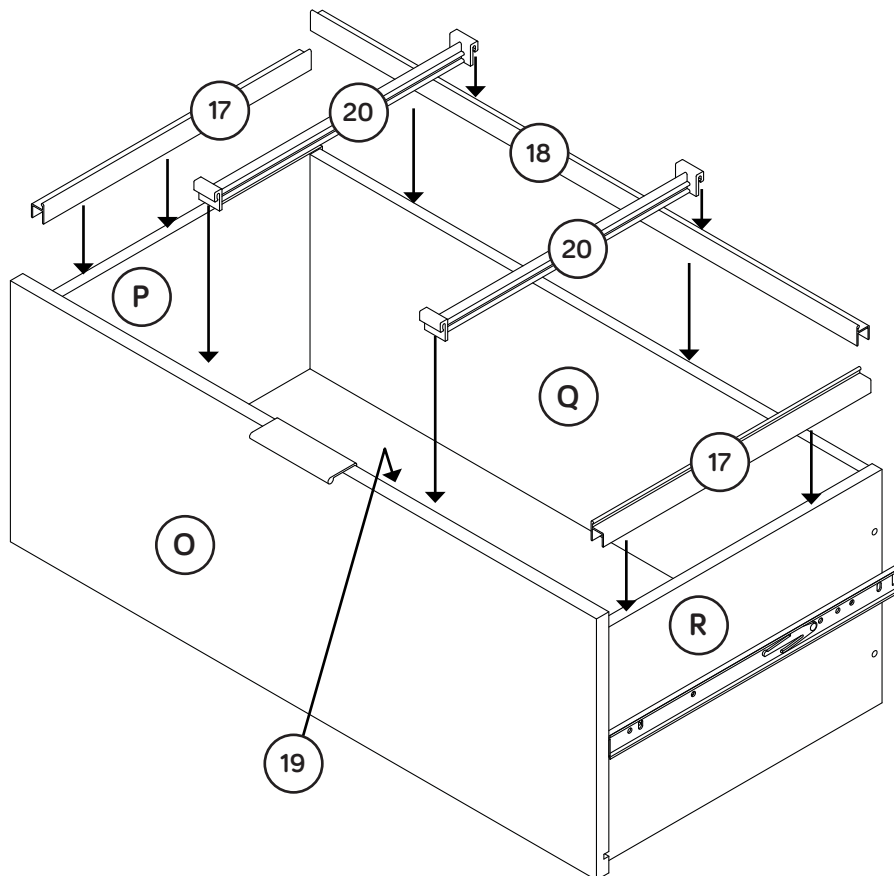


# Step 20

- ✚ Push two SHORT FILE GLIDES (17) onto the top edges of the DRAWER SIDES (P and R).
- ✚ Push the LONG FILE GLIDE (18) onto the top edge of the DRAWER BACK (Q).
- ✚ Push two FILE HANGERS (20) onto the NOTCHED FILE GLIDE (19) and LONG FILE GLIDE (18).



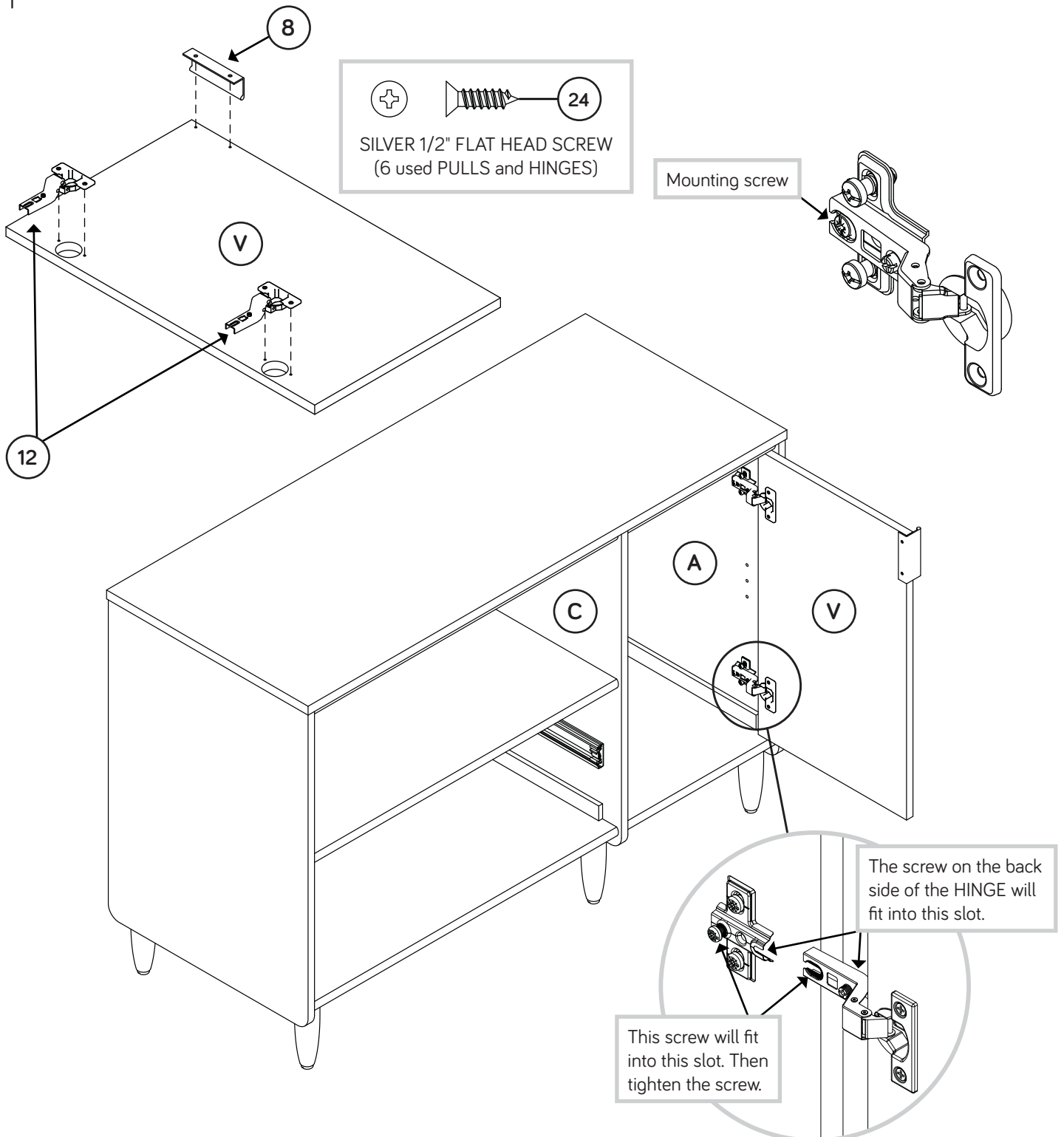
If you're doing this to help a friend, don't leave without a bite.





# Step 21

- ✦ Fasten the HINGES (12) to the DOOR (V). Use four SILVER 1/2" FLAT HEAD SCREWS (24).
- ✦ Fasten the PULL (8) to the DOOR (V). Use two SILVER 1/2" FLAT HEAD SCREWS (24).
- ✦ Fasten the HINGES on the DOOR (V) to the HINGE BRACKETS on the RIGHT END (A).
- ✦ Follow the large diagram below fastening both HINGES to the HINGE BRACKETS keeping the DOOR vertical at all times.
- ✦ Tighten the mounting screws in the HINGE BRACKETS.



# Step 22

✚ Refer to the enlarged diagram to identify the parts on the HINGES.

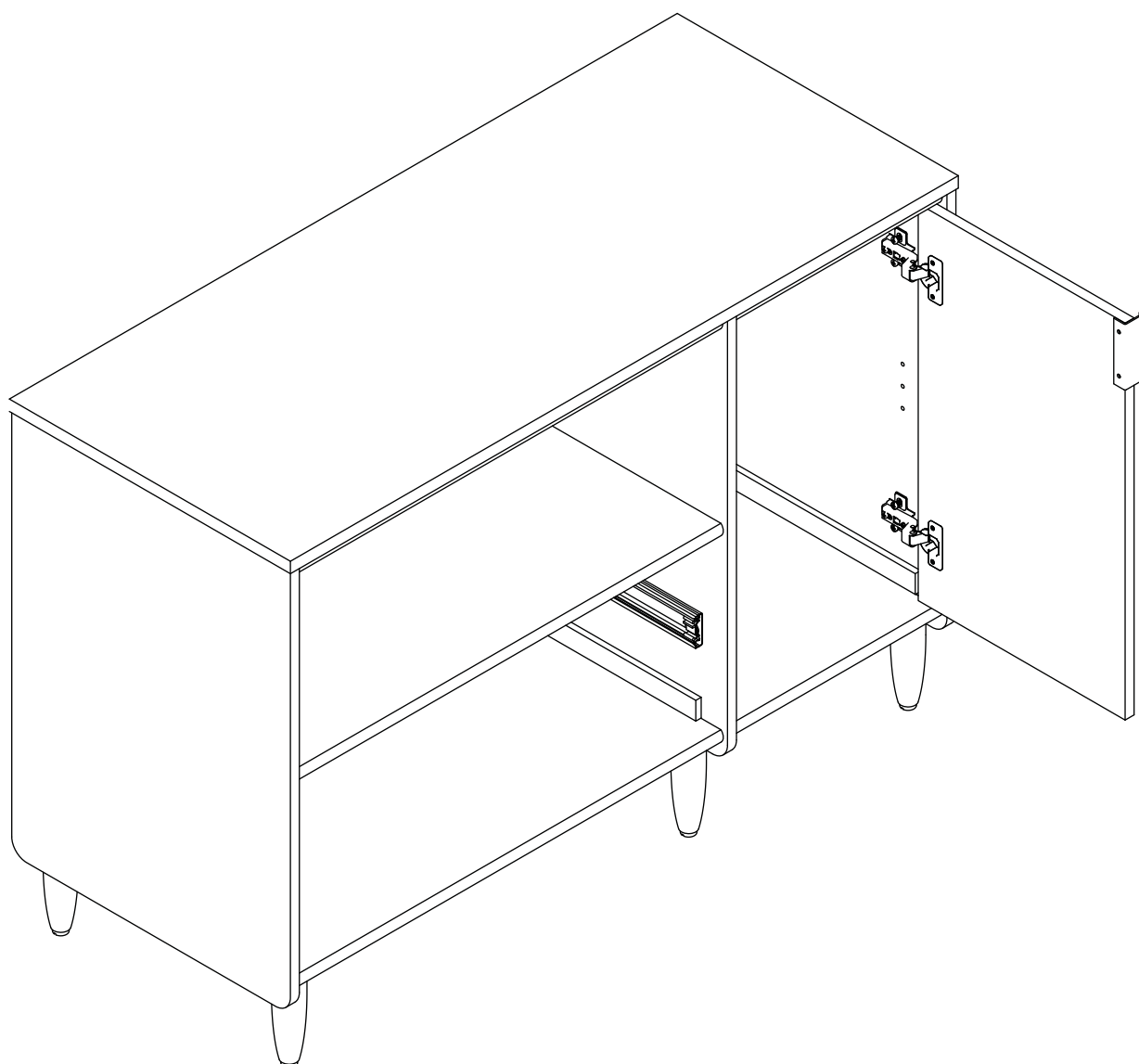
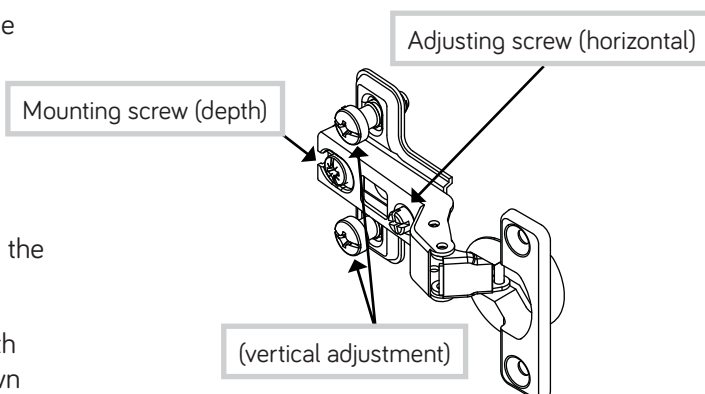
✚ The DOORS may need some adjustments. Follow the text below to make needed adjustments.

✚ **DOOR ADJUSTMENTS:**

To adjust the DOORS from side to side (horizontal), turn the adjusting screw in or out.

✚ To adjust the DOORS up and down (vertical), loosen both vertical adjustment screws. Move the DOORS up or down to the desired location. Tighten the screws after making adjustments.

✚ To adjust the DOORS in or out (depth), loosen the mounting screw one turn and move the DOORS in or out, as needed. Tighten the mounting screw after making adjustments.

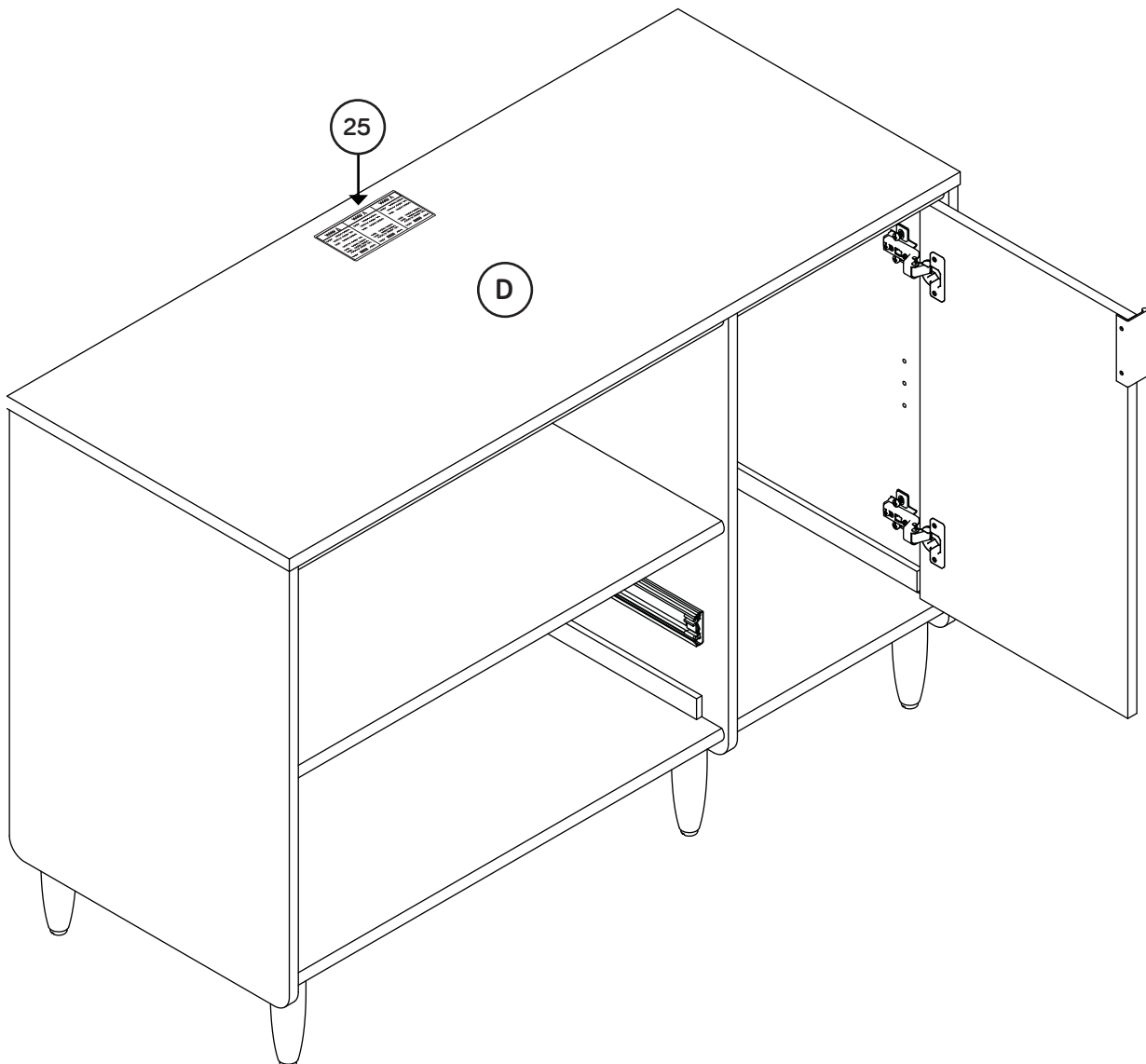


# Step 23

Apply the WARNING LABEL (25) to the TOP (D). You should be able to read the label when the TV is removed from the unit. When the TV is in place, it should hide the label. Peel off the backing and apply the label as shown in the diagram.

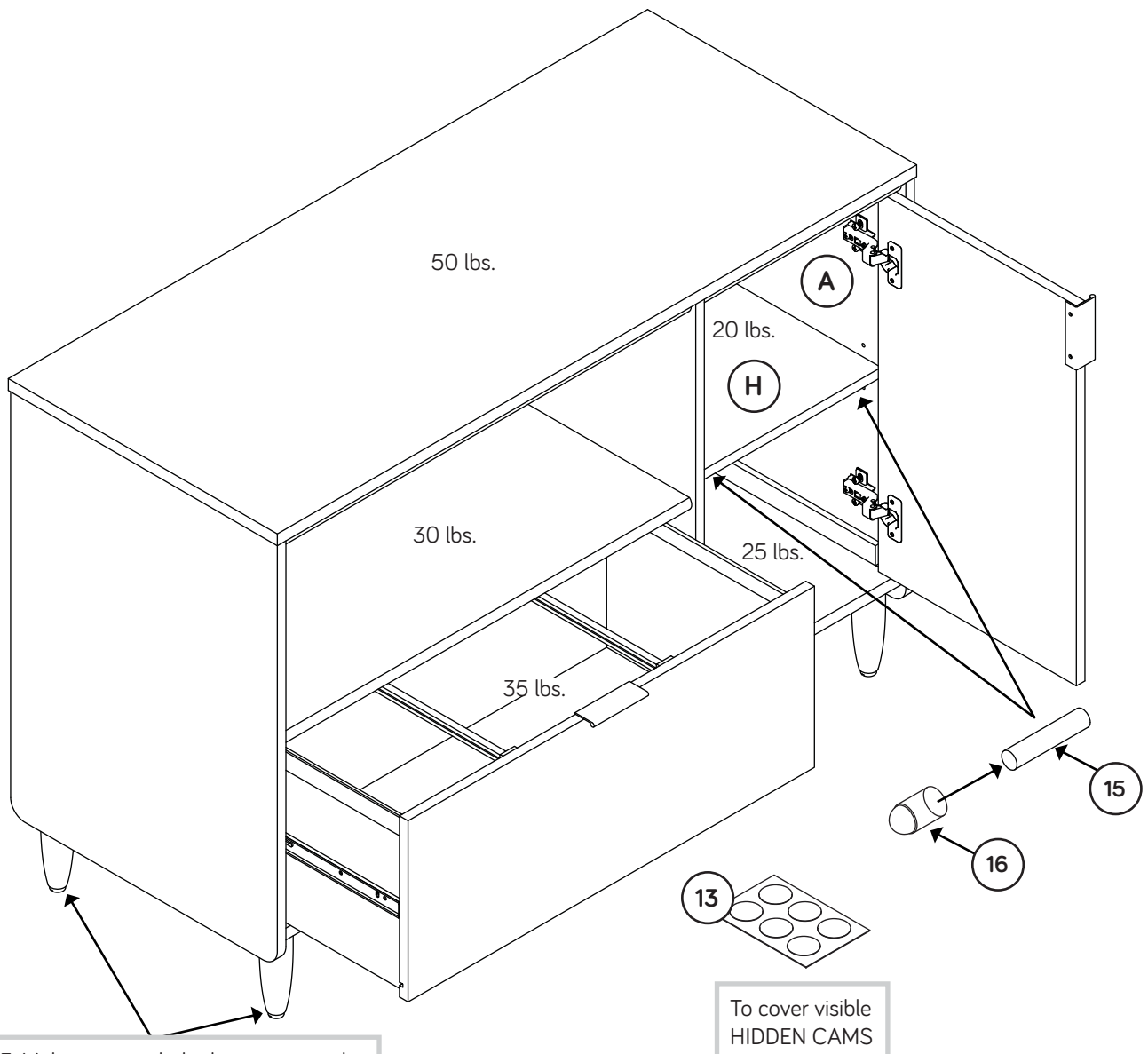
**NOTE:** This is a permanent label intended to last for the life of the product. Once applied, do not try to remove it.

⚠ WARNING • ADVERTENCIA • AVERTISSEMENT ⚠		
Never use this furniture with a TV that is too large or too heavy. Severe injury or death can occur. The TV and furniture will be unstable and may tip.	Nunca use este mueble con un televisor que es demasiado grande o demasiado pesado. Podría resultar en una lesión grave hasta fatal. El televisor y el mueble estarán inestables y pueden volcarse.	Ne jamais utiliser ce meuble avec un téléviseur qui soit trop large ou trop lourd. Risque de provoquer des blessures graves, voire mortelles. Le téléviseur et le meuble seront instables et risquent de se renverser.
-The TV <b>must</b> weigh less than <b>50 lbs.</b> -The base of the TV <b>must</b> be able to sit completely on this shelf.	-El televisor debe pesar <b>22,68 kg</b> o menos. -La base del televisor <b>debe</b> poder colocarse completamente sobre este estante.	-Le téléviseur doit peser <b>22,68 kg</b> ou moins. -Le socle du téléviseur <b>doit</b> pouvoir être placé complètement sur cette tablette.
Refer to instruction book for complete safety information.	Consulte el folleto de instrucciones para información completa sobre la seguridad.	Consulter le manuel d'instructions pour information complète concernant la sécurité.
<i>Note: This is a <u>permanent</u> label. Do not try to remove. Surface will be damaged.</i>	<i>Nota: Esta etiqueta es <u>permanente</u>. No intente quitarla. Causará daño a la superficie.</i>	<i>Remarque: Cette étiquette est <u>permanente</u>. Ne pas essayer de la retirer. Causera des dommages à la surface.</i>



# Step 24

- ✚ Push the RUBBER SLEEVES (16) over the METAL PINS (15). Insert the METAL PINS into the hole locations of your choice in the RIGHT END (A) and UPRIGHT (C). Set the ADJUSTABLE SHELF (H) onto the METAL PINS.
- ✚ To insert a drawer into your unit, line up the EXTENSION SLIDES on the drawer with the EXTENSION RAILS on the unit and push the drawer into the unit until the drawer is fully inserted. The drawer will push in hard until it is all the way in, then it will slide in and out easier.
- ✚ Peel an applique from the SMALL APPLIQUE CARD (13) and stick them on the visible HIDDEN CAMS.
- ✚ **NOTE:** To raise a corner of the unit, turn the ADJUSTABLE GLIDE counter-clockwise. To lower a corner, turn the ADJUSTABLE GLIDE clockwise.
- ✚ **NOTE:** Please read the back pages of the instruction booklet for important safety information.
- ✚ This completes assembly. Clean with your favorite furniture polish or a damp cloth. Wipe dry.



**NOTE:** Make any needed adjustments to the ADJUSTABLE GLIDES to level your unit.

**⚠ WARNING**

Please use your furniture correctly and safely. Improper use can cause safety hazards, or damage to your furniture or household items. ***Carefully read the following chart.***

Look out for:	What can happen:	How to avoid the problem:
<ul style="list-style-type: none"><li>• Overloaded shelves or drawers.</li><li>• Improper loading can cause the product to be top-heavy.</li></ul>	<ul style="list-style-type: none"><li>• Risk of injury.</li><li>• Top-heavy furniture can tip over.</li><li>• Overloaded shelves and drawers can break.</li></ul>	<ul style="list-style-type: none"><li>• Never exceed the weight limits shown in the instructions.</li><li>• Work from bottom to top when loading shelves and drawers. Place the heavier items on the lower shelves or in lower drawers.</li></ul>
<ul style="list-style-type: none"><li>• Improperly moving furniture that is not designed and equipped with casters.</li></ul>	<ul style="list-style-type: none"><li>• Furniture can tip over or break if improperly moved.</li><li>• Physical injury. Furniture can be very heavy.</li><li>• Breakage of tops - particularly with double pedestal furniture (drawers at both ends).</li></ul>	<ul style="list-style-type: none"><li>• Unload shelves and drawers from top to bottom before moving the unit.</li><li>• Do not push furniture, especially on a carpeted floor. Have a friend help you lift the item and set it in place.</li><li>• Provide support to the center section of the top when lifting the furniture.</li></ul>
<ul style="list-style-type: none"><li>• Placing TVs on furniture items that are not designed to support a television is hazardous.</li></ul>	<ul style="list-style-type: none"><li>• Risk of injury or death. TVs can be very heavy. Plus the weight and location of the picture tube tends to make TVs unbalanced and prone to tipping forward.</li></ul>	<ul style="list-style-type: none"><li>• This product is not designed to support a television.</li></ul>