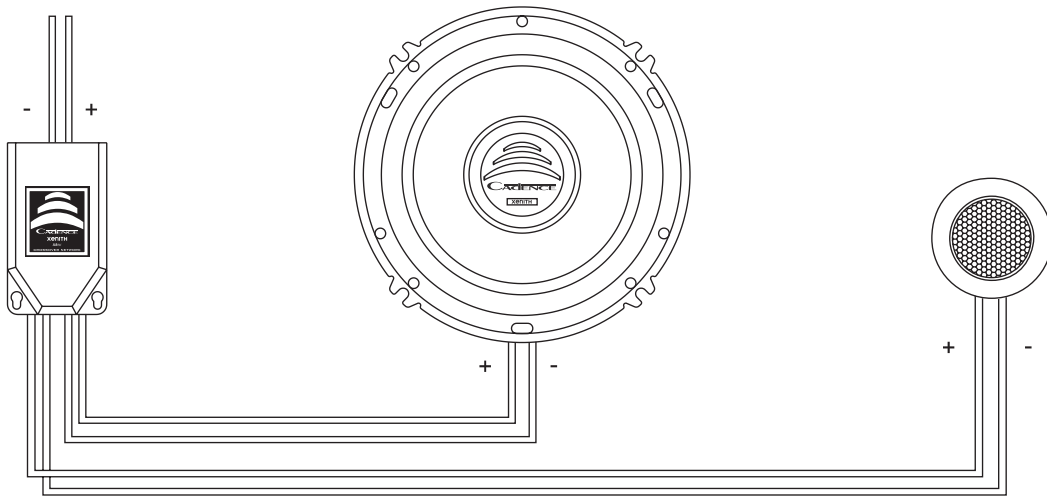


# XS6K 6.5" Component Kits



## INSTALLATION INSTRUCTIONS

Tweeters can be installed in one of three ways, flush, surface or angle mount with included hardware.

(A) SURFACE MOUNT	(B) ANGLE MOUNT	(C) FLUSH MOUNT
<p>Diagram (A) illustrates the surface mount installation. A circular tweeter is positioned above a circular mounting ring. A screw is shown passing through the center of the ring and the tweeter into a surface plate below.</p>	<p>Diagram (B) illustrates the angle mount installation. A circular tweeter is positioned above a circular mounting ring. A screw is shown passing through the center of the ring and the tweeter into a surface plate below, with the tweeter angled away from the surface.</p>	<p>Diagram (C) illustrates the flush mount installation. A circular tweeter is positioned above a circular mounting ring. A screw is shown passing through the center of the ring and the tweeter into a surface plate below, with the tweeter flush against the surface.</p>

# TEMPLATE

FOR 6.5" SPEAKER

