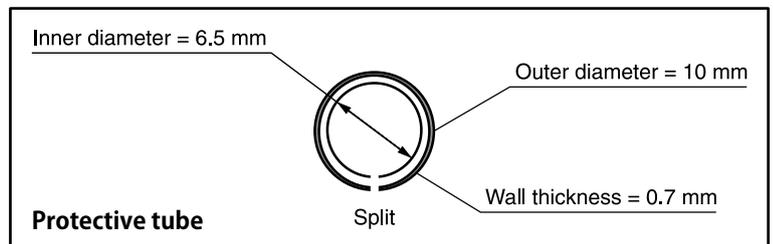
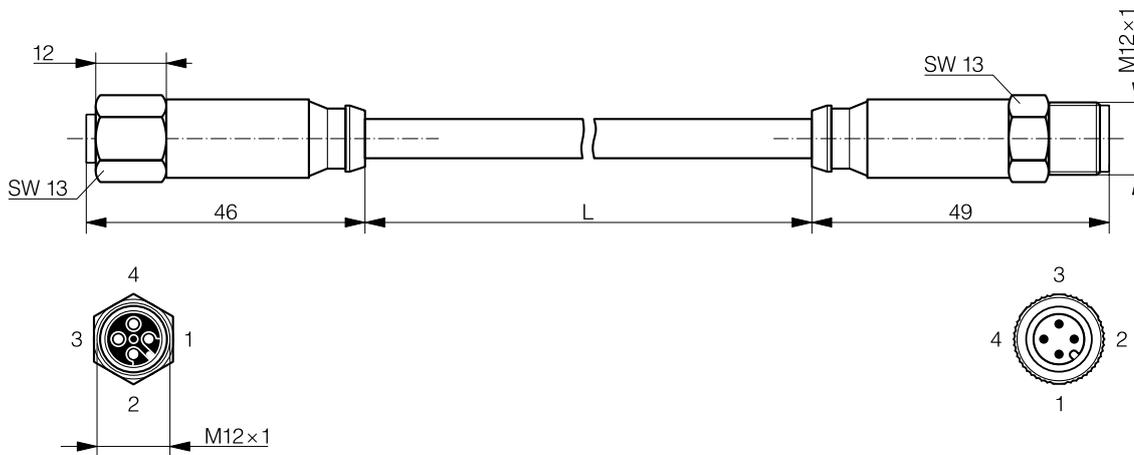


CONNECTIVITY CABLE CONNECTOR S12-4FAG-020-NPWN-12MG

- ✓ Highest degree of protection for welding environment
- ✓ Metal connector with ACTIVSTONE® anti spatter coating
- ✓ PTFE protection with reinforcements at connector ends
- ✓ Size S12, 4 poles, IP68/IP69K, Santoprene cable jacket



TECHNICAL DATA*

Jacket material	Santoprene + PTFE protection	Insulation group	IEC 60664-1, category I
Connector material	V4A/1.4404 + ACTIVSTONE® Coating	Enclosure rating	IP68/IP69K
Rated voltage	max. 32 V AC/DC	Ambient temperature range	-40 ... +85°C
Rated current per contact	max. 4 A	Tightening torque	0.6 Nm
Rated surge voltage	2.5 kV	Outer cable diameter	∅6.5 mm
Wire structure	4 × 0.34 mm ²		

*according to DIN EN 61076-2-101

AVAILABLE TYPES

Part number	Part reference	Type	Cable color	Length	Weight
605-002-366	S12-4FAG-020-NPWN-12MG	straight	gray	2.0 m	220 g

Note: additional suffix can appear to indicate a revision version or a special version.

Operators of the products we supply are responsible for compliance with measures for the protection of persons. The use of our equipment in applications where the safety of persons might be at risk is only authorized if the operator observes and implements separate, appropriate and necessary measures for the protection of persons and machines. Terms of delivery and rights to change design reserved. Please check our website for updates.