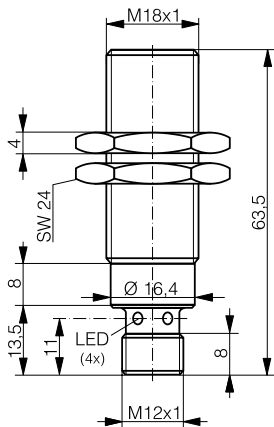
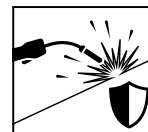
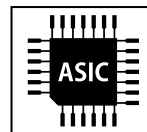


HOUSING	OPERATING DISTANCE	MOUNTING	✓ High performance anti-spatter coating	✓ Exceptional price-performance ratio
M18	8 mm	embeddable	✓ Magnetic field resistant in welding applications	✓ High repeatability



DW-AS-623-M18-6xx

DETECTION DATA		INTERFACE	
Rated operating distance ( $S_n$ )	8 mm	Indicator LED, yellow	Sensing state ( $0 \leq s \leq S_n$ )
Assured operating distance ( $S_a$ )	$\leq (0.81 \times S_n)$ mm	IO-Link	No IO-Link
Repeat accuracy	$\leq 0.4$ mm	MTTF (@40°C)	1028 y
Hysteresis	$3\% S_r \leq \text{Hyst} \leq 15\% S_r$		
Temperature drift	$\leq 10\% S_r$		
Standard target	24 x 24 x 1 mm <sup>3</sup> , FE360		

Note:  $0.9S_n \leq S_a \leq 1.1S_n$ .

ELECTRICAL DATA		MECHANICAL DATA	
Supply voltage range ( $U_b$ )	10 ... 30 VDC	Mounting	Embeddable
Residual ripple	$\leq 20\% U_b$	Housing material	V2A / 1.4305 / AISI 303 (+ coating)
Output current	$\leq 200$ mA	Sensing face material	PEEK
Output voltage drop	$\leq 2.0$ VDC	Max tightening torque	50 Nm
Power consumption (no-load)	$\leq 10$ mA	Ambient operating temperature	-25 ... +70°C <sup>1</sup>
Residual current	$\leq 0.1$ mA	Enclosure rating	IP67
Switching frequency	$\leq 15$ Hz	Weight (cable / connector)	see page 2
Short-circuit protection	✓	Shock and vibration	IEC 60947-5-2
Voltage reversal protection	✓		
Cable length max.	$\leq 300$ m		

Note: all data measured according to IEC 60947-5-2 standard with  $U_b=20 \dots 30$ VDC,  $T_A=23^\circ\text{C} \pm 5^\circ\text{C}$ .

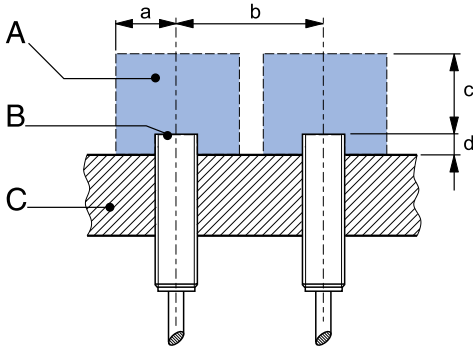
<sup>1</sup>Maximum temperature according to UL: 70°C.

## CORRECTION FACTORS

Steel FE 360	1	Copper	0.9	Aluminum	1.2	Brass	1.4	Stainless Steel V2A	0.2
--------------	---	--------	-----	----------	-----	-------	-----	---------------------	-----

Note: the operating distance of the sensor must be multiplied by the correction factor of the material. For example, the operating distance on Aluminum is  $S_{n,Al} = S_n \times CF_{Al}$ . In case of embeddable mounting, the distance is multiplied by the additional correction factor of the support, thus  $S_{n,Al} = S_n \times CF_{Al} \times CF_{emb,Al}$ .

## INSTALLATION CONDITIONS

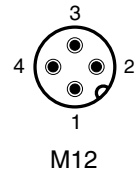
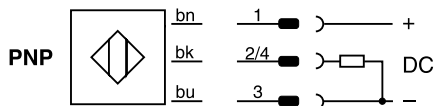


A : metal free zone	a : 18 mm
B : sensing face	b : 60 mm
C : support	c : 24 mm
	d : steel 0 mm

Note: additional installation information can be found in the glossary of the Contrinex General Catalog.

## WIRING DIAGRAM

## PIN ASSIGNMENT



## AVAILABLE TYPES

### UNCOATED

Part number	Part reference	Old ref.	Polarity	Connection	Output on pin 2	Output on pin 4 / bk	Weight
320-420-792	DW-AS-623-M18-673	xxx-694	PNP	M12 4-pin	–	Normally open (NO)	33.4 g

### COATED

Part number	Part reference	Old ref.	Polarity	Connection	Output on pin 2	Output on pin 4 / bk	Weight
320-420-793	DW-AS-623-M18-693	xxx-697	PNP	M12 4-pin	–	Normally open (NO)	33.4 g

Note: part reference may include additional suffix to indicate a revision version or special version. Further information is available on request.

Operators of the products we supply are responsible for compliance with measures for the protection of persons. The use of our equipment in applications where the safety of persons might be at risk is only authorized if the operator observes and implements separate, appropriate and necessary measures for the protection of persons and machines. Terms of delivery and rights to change design reserved.