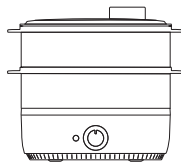


## 迷你雙層電蒸鍋 DOUBLE ELECTRIC STEAMER



## 使用說明 USER MANUAL



使用產品前，請仔細閱讀本使用說明書。本產品僅限家居使用。

Before using the product, please read this user manual carefully and keep it for future reference. This product is intended for indoor use.



本說明書中產品設計、規格及功能僅供參考，實際產品功能和規格可能會有所不同。產品資料如有更改，恕不另行通知。如中英文版本有差異時，應以中文版為準。

The product design, specifications and functions in this manual are for reference only. Actual product may vary. Product details are subject to change without prior notice. In case there is any inconsistency or conflict between English version and Chinese version of the terms, the Chinese version shall prevail.

## Bear•為香港蝸居而誕生

成立於2006年3月，於2019年8月23日正式掛牌上市。

Bear微家電/小家電集合實用、多功能、簡約、時尚、小巧等多種特色，放在家裡每個角落，也能成為裝潢的一部分，營造出家居品味。這些特點讓 Bear成為香港小家庭及單身男女在選購小家電時的優先選擇。

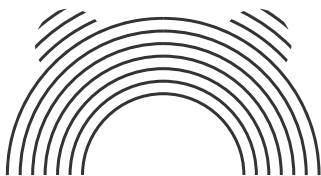
Bear以人為本，產品由入廚到生活家電，滿足你生活上各種需求，對於繁忙又對生活有要求的人，絕對是家中必備。

幸福就是那麼簡單！

Bear帶給你生活中的一點甜蜜幸福。無論是忙碌早晨的一片果醬鬆脆厚多士，夏日午後的一杯清新慢磨果汁，還是冬日睡前的暖暖花果茶。Bear為香港人繁忙的生活打造出片刻寧靜與優雅，療癒你的身心靈。

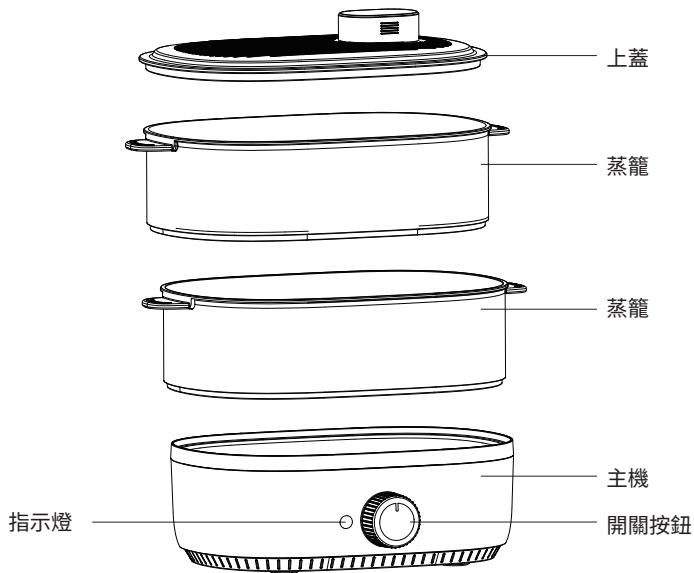
## Bear•小餐桌上的廚樂

不需要大廚房，不需要巧手廚藝，只要一張小餐桌及Bear小廚具家電，你也做到的簡單料理，讓每個人也可體驗入廚樂趣。

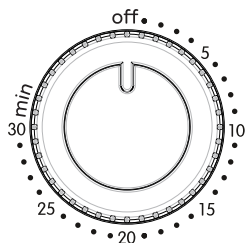




## 產品簡介



## 控制旋鈕



-  焗蛋  
15-20分鐘
-  蒸水蛋  
15-20分鐘
-  粟米  
20-25分鐘
-  蕃薯  
25-30分鐘
-  急凍包點  
15-20分鐘



## 使用指南

### 安全注意事項

為防止觸電、火災、燙傷等事故，使用前請仔細閱讀並且遵循以下安全事項：

- 使用前請確保電源電壓與本產品銘牌上所標明的額定電壓一致。
- 請使用有接地保護的電源，以確保人身安全。
- 為避免熱斷路器的誤復位產生危險，請勿通過外部開關裝置供電，例如定時器或連接到通用部件定時進行連接或斷電。
- 使用時產品應放置於穩固的平台上，並放置於兒童觸摸不到的地方。
- 請勿在地毯、塑料凳等不耐熱的表面或者附近使用，會因蒸氣受損的物體不要放置在本產品上方。
- 若產品出現乾燒情況，請往鍋內加入水或者拔掉電源，切勿觸碰發熱體以防燙傷，不使用時請拔掉電源，避免連續乾燒損壞產品。
- 請勿把本產品置放在熱源的表面上或熱源旁，如烹調器、烘爐等。
- 如電源線有可見的損壞跡象或接觸不良現象，請勿使用。必須用專用軟線或由製造商或維修部買到的專用組件來更換。
- 請勿沿尖端物品或鋒利邊沿來拉扯電線、壓線或讓它懸垂下來，同時要遠離熱源和濕源。
- 本產品在使用時嚴禁小孩以及肢體不健全、感覺或精神上有障礙或缺乏相關經驗和知識的人單獨操作，若有小孩在旁，須加倍小心使用本產品。切勿將本產品置於小孩能觸及的地方。
- 請勿將電源線、插頭、發熱盤等浸入水或其它液體裡，以免損壞本產品及觸電。
- 清潔前或不使用時，請關閉電源並拔下電源插頭，待產品完全冷卻後再進行清洗。
- 底座、電源線及其它部件有損壞時，請不要使用，並送到指定的維修服務點檢查維修。
- 產品使用時會產生蒸氣從玻璃蓋的蒸氣口排出，小心被蒸氣燙傷。
- 機器具有熱保護功能，如需連續蒸煮雞蛋，第二次蒸雞蛋前必須讓機器適當冷卻，待溫控器復位後，再開始蒸煮。
- 本體內用於加熱用的PTC不可與食物直接接觸。

## 基本操作步驟

1. 在電蒸鍋內用量杯加入適量的水(可參照下表),接通電源後,選擇所需的蒸煮時間,開始蒸煮後,指示燈會亮起。

功能選擇	食材	加水量(滿杯)	蒸煮時間(分鐘)
水煮蛋	全蛋	2	20
水蛋	水蛋	2	20
雜糧	蕃薯	3	30
	粟米	3	25
包點	包點	2	20
肉類	蒸魚	2	20
	蒸肉	2	30
	排骨	3	30

### 溫馨提示:

1. 以上時間為小熊實驗室測試得出,數據僅供參考,使用時根據實際需求調節時間。
2. 加水請勿超出最高水位線。
3. 雜糧請切塊放入蒸籠烹飪。

## 常見食材蒸煮使用方法

### 1. 蒸水煮蛋

在電蒸鍋內加入2杯水，將雞蛋朝上放在蒸籠上立著進行蒸製，蓋上上蓋，定時旋鈕調整到15~20分鐘，蒸煮完成後即可取出食用。剛結束時食用請注意燙傷。

### 2. 蒸水蛋

在電蒸鍋內加入2杯水，在碗內加入雞蛋、適量的水和調味然後拌勻，放入蒸籠內後蓋上上蓋，定時旋鈕調整到20~25分鐘，蒸煮完成後即可取出食用。剛結束時食用請注意燙傷。

### 3. 蒸蕃薯

在電蒸鍋內加入3杯水，將蕃薯切塊放入蒸籠內，蓋上上蓋，定時旋鈕調整到25~30分鐘，蒸煮完成後即可取出食用。剛結束時食用請注意燙傷。



#### 溫馨提示：

1. 為避免蛋殼爆裂，蒸蛋前，可先用量杯底部的打孔針輕擊雞蛋的頂端，打個小孔，然後將雞蛋朝上放置在蒸盤上。
2. 將蒸好的雞蛋迅速放入冷水中，有效幫助剝雞蛋殼。



## 清潔與保養

1. 使用完畢後，請及時拔掉電源插頭。
2. 蒸盤、蒸籠及上蓋可用洗潔精和海綿清洗，請勿使用鋼絲球等硬物質刷洗，以免損壞表面。
3. 請勿將整機放入水中清洗，產品表面可用擰乾的濕布擦拭，不可沖洗，以免漏電或故障。
4. 產品長時間不使用時，應保持機器乾淨，可裝入包裝盒中，放置在通風乾燥的地方，以免受潮，影響使用。
5. 產品在經過2-3次使用後，如發熱盤表面出現一層水垢須及時清除，以免因長時間水垢存留在發熱盤上產生隔熱導致蒸煮功能減弱，食物無法熟透。



## 常見問題

故障現象	原因分析
指示燈不亮	停電
	電源線插頭沒插好
	電源插座處於關閉狀態
	未按好開關按鈕
	缺水，產品處於防乾燒狀態中
食物太熟	水加得太多
食物太生	水加得太少

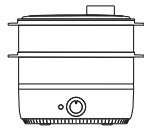


### 備註：

經以上現象分析後仍無法排除故障，請與本公司維修點或經銷商聯繫，嚴禁非專業人員對本機自行拆裝。



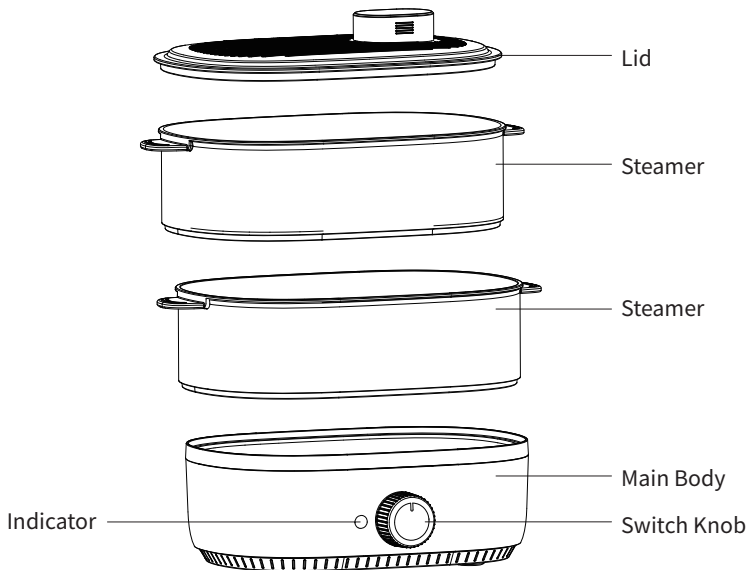
## 產品規格



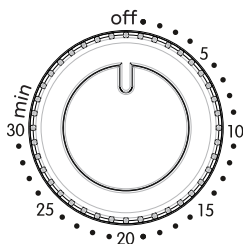
產品型號	ZDQ-B06G1
電壓/頻率	220V~ 50Hz
額定功率	350W
額定容量	2L
產品尺寸	236x153x208mm




## Product Overview



## Control Panel



-  **Boiled Egg**  
15-20mins
-  **Steamed Egg**  
15-20mins
-  **Corn**  
20-25mins
-  **Sweet Potato**  
25-30mins
-  **Frozen Bun**  
15-20mins



# Instructions

## Safety Instructions

Strictly observe the following instructions to prevent any accidents or injuries:

- Before use, please ensure that the power supply voltage is consistent with the rated voltage indicated on the nameplate of this product.
- Please use a power supply with grounding protection to ensure safety.
- To avoid danger from resetting thermal cut-out, the device should not be powered with external switch device, such as timer or timed open/close circuit of general parts.
- Please use this product on a stable platform and out of the reach of children.
- Do not use this product on or near heat-labile surfaces such as carpets and plastic stools. Do not place objects that will be damaged by steam on top of this product.
- If the product is dry-burning, please add water to the pot or unplug the power supply. Do not touch the heating element to prevent burns. Please unplug the power supply when the product is not in use to avoid continuous dry-burning damage to the product.
- Do not place this product on or near heat sources such as cookers, ovens, etc.
- Do not use this product if there are visible signs of damage or poor contact on the power cord. It must be replaced with a dedicated cord or dedicated components bought from the manufacturer or maintenance department.
- Do not pull, crimp, or dangle wires along pointed objects or sharp edges, and keep away from heat and moisture sources.
- Do not fill the pot with water more than 2/3 (about 1.2L) to avoid overflow and burns. Do not fill the pot with water lower than 1/3 (about 0.4L) in the pot to avoid dry burning and damage to the product.
- This appliance cannot be used by children and persons with reduced physical, sensory or mental capabilities or lack of experience and knowledge, but only if they have been given supervision. Great care is necessary in using the appliance, especially near children. Please place the appliance out of reach of children.

- Please turn off the power and unplug the power plug before cleaning. Please let the product cool down completely before cleaning.
- Please do not use this product if the base, power cord and other parts are damaged. Please contact the designated maintenance service point for inspection and maintenance.
- Hot steam will be discharged from the steam hole on the lid while the product is in use. Be careful of being scalded by the steam.
- It is strictly forbidden to immerse the main body in water or other liquids for cleaning, so as to avoid damage or danger caused by water entering the machine.
- Do not put any food on the heating body.
- There is a thermal protection function in this product. If you need to steam the eggs continuously, it must be properly cooled before the second round of cooking. After the thermostat is reset, the cooking can be resumed.

## Operating Instructions

Add water into the product with reference of the table below. Turn on the steamer and adjust the knob to set the corresponding cooking time. The indicator light will be on when it is working.

Functions	Food	Water (Cup)	Time (min)
Boiled Egg	Egg	2	20
Steamed Egg	Egg + Water	2	20
Grains	Sweet Potato	3	30
	Corn	3	25
Bun	Bun	2	20
Meat	Fish	2	20
	Meat	2	30
	Pork Ribs	3	30



### Reminder:

1. To prevent the egg shell from bursting, tap the top of the egg with the punch at the bottom of the measuring cup to make a small hole before steaming the egg. Then place the egg facing up on the steaming plate.
2. Sharply put the steamed eggs sharply into cold water to help peel the eggshell effectively.

## Recipe & instructions

### 1. Boiled eggs

Add 2 cups of water into the heating body. Place the eggs facing up on the steamer and put the lid on. Adjust the knob to 15 ~20 minutes. When cooking is done, you can take it out and enjoy it.

### 2. Steamed egg

Add 2 cups of water into the heating body. Whisk the egg into a bowl with water and seasoning. Put the bowl in the steamer and put lid on. Adjust the knob to 20-25 minutes. When cooking is done, you can take it out and enjoy it.

### 3. Steamed sweet potato

Add 3 cups of water into the heating body. Cut the sweet potatoes into small pieces. Put them into the steamer and put the lid on. Adjust the knob to 25-30 minutes. When cooking is done, you can take it out and enjoy it.



## Cleaning and Maintenance

1. Please unplug the power plug in time after using.
2. Please remove the power plug from the power socket before cleaning after cooling down completely.
3. Use a soft cloth or sponge to wipe the steam plates and containers with a little detergent after using. Do not use abrasive materials such as steel balls to scrub the them.
4. Do not immerse the whole machine in water for cleaning. Please be careful not to let water enter the bottom. Wipe it with a wrung wet cloth.
5. When the product will not be used for a period of time, the machine should be kept clean. Put it into the packaging box and place it in a ventilated and dry place to prevent dampness.
6. After 2-3 times of cooking, there might be limescale occurred on the surface of the heating body. Please clean it timely to avoid it from blocking the heat for cooking.



## Troubleshooting

Faults	Possible Cause
The product is not working and the indicator is off.	The power is off.
	The power cord is not well-connected.
	The socket is off.
	The switch button is not pressed.
	The product is suspended due to overheat.
Food is overcooked	Too much water is added.
Food is not well-cooked	Too little water is added.

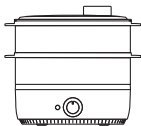


### Warning:

If the problem cannot be solved after the above troubleshooting, please contact the customer service center. It is strictly forbidden for non-professionals to disassemble the appliance.



## Specifications



Model	ZDQ-B06G1
Voltage/Frequency	220V~ 50Hz
Power	350W
Capacity	2L
Dimensions	236x153x208mm



[www.bears.com.hk](http://www.bears.com.hk)

**Distributor:**  
**HOMESTUFF INTERNATIONAL COMPANY LIMITED**

電郵 Email: [info@bears.com.hk](mailto:info@bears.com.hk)

官方網站 Official Website: [www.bears.com.hk](http://www.bears.com.hk)

Find Us On



Bear Hong Kong