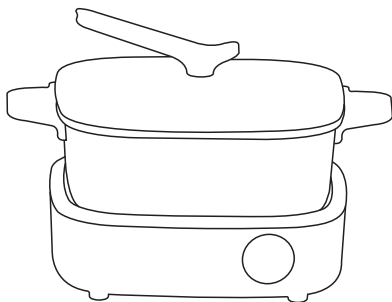




適用型號 MODEL

MHP-151

多功能電熱火鍋
**MULTIFUNCTIONAL
ELECTRIC HOT POT**



使用說明
USER MANUAL

i 使用產品前，請仔細閱讀本使用說明書。本產品僅限家居使用。

Before using the product, please read this user manual carefully and keep it for future reference. This product is intended for indoor use.

i 本說明書中產品設計、規格及功能僅供參考，實際產品功能和規格可能會有不同。產品資料如有更改，恕不另行通知。如中英文版本有差異時，應以中文版為準。

The product design, specifications and functions in this manual are for reference only. Actual product may vary. Product details are subject to change without prior notice. In case there is any inconsistency or conflict between English version and Chinese version of the terms, the Chinese version shall prevail.

Bear•為香港蝸居而誕生

成立於2006年3月，於2019年8月23日正式掛牌上市。

Bear微家電/小家電集合實用、多功能、簡約、時尚、小巧等多種特色，放在家裡每個角落，也能成為裝潢的一部分，營造出家居品味。這些特點讓 Bear成為香港小家庭及單身男女在選購小家電時的優先選擇。

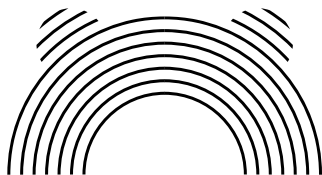
Bear以人為本，產品由入廚到生活家電，滿足你生活上各種需求，對於繁忙又對生活有要求的人，絕對是家中必備。

幸福就是那麼簡單！

Bear帶給你生活中的一點甜蜜幸福。無論是忙碌早晨的一片果醬鬆脆厚多士，夏日午後的一杯清新慢磨果汁，還是冬日睡前的暖暖花果茶。Bear為香港人繁忙的生活打造出片刻寧靜與優雅，療癒你的身心靈。

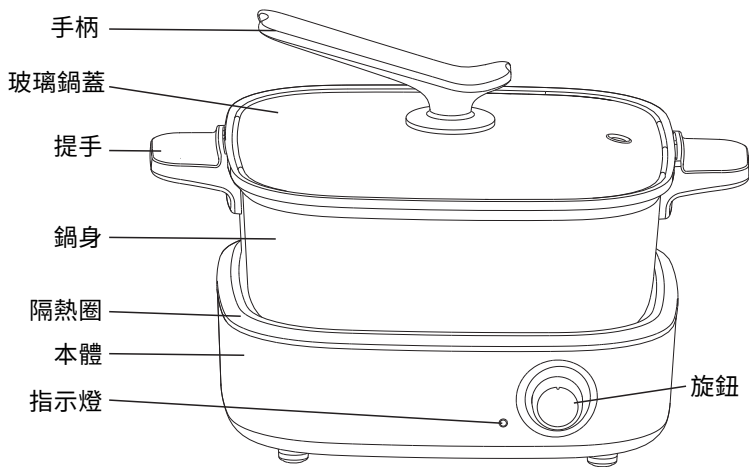
Bear•小餐桌上的廚樂

不需要大廚房，不需要巧手廚藝，只要一張小餐桌及Bear小廚具家電，你也做到的簡單料理，讓每個人也可體驗入廚樂趣。





產品簡介





使用指南

安全注意事項

為防止觸電、火災、燙傷等事故，請遵守以下內容。

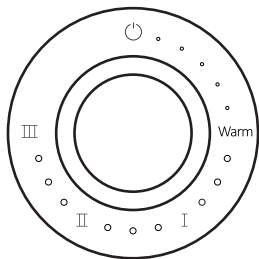
- 請勿在無人看管下使用本產品。本產品僅適用於家庭使用。
- 使用本產品時，請單獨使用10A或以上的插座，使用前請確保插座可正常使用。
- 在拆、裝或搬動產品的任何部件前，請先斷開電源。
- 切勿擅自改裝產品或使用非生產商提供的零件進行維修，否則可造成危險既令保修服務無效。
- 在使用過程中，若發生問題時，請先將電源插頭拔起，請勿用濕手拔、插插頭，以免觸電。
- 清潔本產品前，請先將電源插頭拔起，讓機體自然降溫。為避免漏電，切勿將插頭
- 或者本機浸入水中或其他液體中。
- 請勿將金屬或其他異物插入散熱孔或間隙中，否則否能會導致損壞或觸電意外。
- 本產品在運作時會產生大量蒸氣從蒸氣口噴出，請勿觸碰蒸氣以免燙傷。
- 本產品不可長時間乾燒（不放任何食材或水），建議不環連續使用超過這3小時，以免因過熱而引起加熱盤崩裂、自燃等事故。
- 請勿在地毯、塑膠表面等不耐熱的平面上使用本產品。會因蒸氣而受損的物品亦不要放置在本產品上方。
- 本產品在使用時嚴禁小孩以及肢體不健全、感覺或精神上有障礙或缺乏相關經驗和知識的人單獨操作，若有小孩在旁，須加倍小心使用本產品。切勿將本產品置於小孩能觸及的地方。
- 本產品不可在外接定時器或獨立的控溫系統時使用，以免發生短路、自燃等意外。為防止漏電而造成意外，請確保電源線不會與尖銳的邊沿、毛邊、其他尖沿物或表面高溫的物品接觸。

使用方法

i 溫馨提示：本產品在首次使用時請先把鍋體清潔乾淨並抹乾。

- 先將插頭接上電源，由於本產品功率較大，請單獨使用一個插座，電源線請勿靠近火源、熱源等。
- 使用時將火力調到小火預熱，然後放入食油或水，再調節檔位。
- 初次使用時，鍋體預熱會有煙冒出屬於正常現象，待煙霧散去即可正常使用。
- 當油溫或水溫達到料理所需時即可開始放入食料。
- 請酌量添加水或清湯，請勿一次性倒入過量，以免放入食材後湯水溢出。
- 將開關調節到節需的火力檔位，注意在燜煮時會產生大量蒸氣。
- 當料理完畢後，請將檔位調到“○”，並且把插頭從電源插頭中拔出。
- 請用木鏟進行需要翻炒的料理。使用金屬鍋鏟會導致鍋體內的塗層脫落。

功能說明



根據使用需求調節旋鈕，可以選擇不同的檔位，分別為保溫“Warm”、小火“Ⅰ”、中火“Ⅱ”、大火“Ⅲ”，四種火力選擇，此旋鈕調節至“○”時，發熱盤處於斷電狀態。當調節至保溫“Warm”、小火“Ⅰ”、中火“Ⅱ”、大火“Ⅲ”時，發熱盤則處於運作狀態。



清潔及保養

1. 在清潔本產品前，請先關閉電源並且拔去電線插頭，待機體完全冷卻後再進行清潔。
2. 請勿使用汽油、去污粉、硬質刷或不銹鋼絲檢擦拭，以免破壞機體接觸面。
3. 可往鍋內加入少量的清水及清潔液，用柔軟的布或海綿擦洗鍋內壁，擦乾淨後再用清水清洗至乾淨，清潔過後擦乾即可。請勿用水直接沖洗本體機身。
4. 請勿將本體機體浸入水中清洗，電火鍋外表面可用濕布擦拭，不可用水沖洗以免發生漏電問題及發生故障。
5. 加熱後鍋底內部出現白色痕跡為加熱後的正常現象，請放心使用。清洗時加入適量的白醋即可將痕跡清洗乾淨。
6. 長時間不使用時，請先清潔乾淨，裝入包裝箱中，置於通風並乾燥的地方，以免受潮。

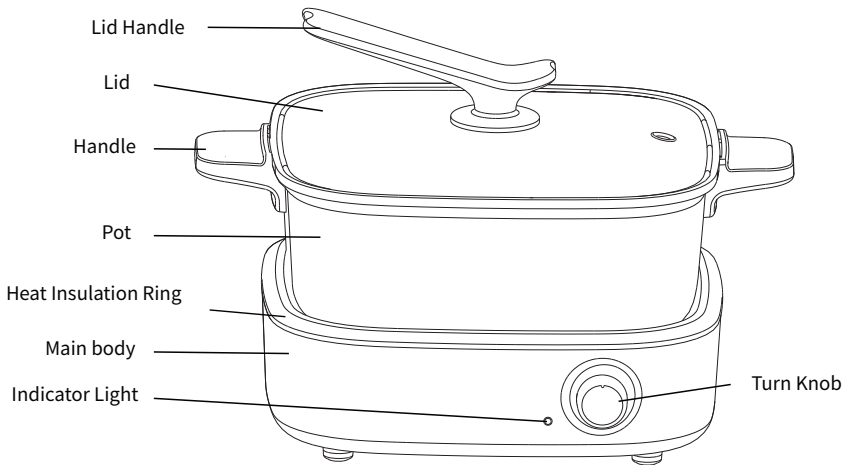


常見問題

| 故障現象 | 原因分析 | 解決方法 |
|---------------------|------------|-----------------------|
| 接通電源後，電源指示燈不亮，無法運作。 | 停電 | 檢查電源線插頭與插座是否插好，打開電源開關 |
| | 電源插頭是否插好 | |
| | 電源插座處於關閉狀態 | |



Product Overview



Instructions

Safety Instructions

Strictly observe the following instructions to prevent any accidents or injuries:

- This product belongs to class I appliance. Please use the socket of 10A or above alone.
- Please ensure that the grounding of the socket is effective before use. Also confirm that the input power supply is 220-240V~ 50-60Hz.
- Be sure to disconnect the power before removing, installing or moving any part of the product. This product is suitable for home use only.
- If the power cord is damaged, it must be replaced by the manufacturer's repair department or similar department to avoid danger.
- In use, please unplug the power plug from the socket. It is prohibit that using wet hands to pull and plug in order to avoid electric shock.
- Before cleaning, unplug the power plug to let it cool down. In order to avoid leakage, do not soak the plug or the machine in liquid or water.

- Do not insert any objects such as metal into the heat dissipation hole or gap, otherwise it may cause damage or electric shock. When this product produces a large amount of steam ejected from the steam mouth, it is easy to cause burns. Please be careful.
- This product shall not be dry burned for a long time (without any food ingredients). It is recommended not to use it continuously for more than 3 hours to prevent the heating plate cracking and spontaneous combustion caused by overheating, etc., resulting in injury accidents and property losses.
- It is forbidden to use the product on unstable or inclined surfaces to avoid injury or fire accidents caused by product inclination.
- Do not place this product above carpets or plastic stools when you use it.
- This product is not suitable for children, or psychiatric or inexperienced people.
- Do not let the liquid flow into the product when cleaning, and do not put the power cord, plug, and the whole machine into the liquid to avoid danger.
- The appliance cannot be operated by external timer or independent thermostat control system to prevent short circuit, spontaneous combustion and other hazards.
- Make sure the power cord does not contact sharp edges, hairy edges, other protruding objects or hot surfaces.
- Prevent electricity leakage, causing electric shock or fire.


Usage Method

- i** Warm tip: Please clean the pot body for the first time. Plug the plug into the power supply and use the 220-240V~ 50-60Hz dedicated socket.
- i** Note: due to the high power, please use a separate socket, the power cord do not close to the fire, heat source, etc.
- i** When using, adjust the fire to a low fire, warm up first (use the cooking oil or water, then adjust the gear). Note: Smoke is normal for the pot when preheating, which can be used normally after the smoke is dispersed.
- i** Warm tip: Please clean the pot body for the first time.
Plug the plug into the power supply and use the 220V~ 50Hz dedicated socket.
- i** Note: due to the high power, please use a separate socket, the power cord do not close to the fire, heat source, etc.

When using, adjust the fire to low and warm up first (use the cooking oil or water, then adjust the gear). Note: Smoke is normal for the pot when preheating, which can be used normally after the smoke is dispersed.

i Note: Please pour in the appropriate amount of water or soup so as not to cause overflow when putting in any ingredients. It may lead to scald. Switch back to the desired gear position.

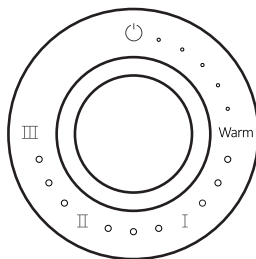
i Note: When taking up the lid, a lot of steam will be discharged. Please be careful of steam so as to avoid scald.


After cooking, switch to “” and unplug it to avoid danger.

Use wooden shovel when stir fry is recommended.

i Note: There will be little white stain on the bottom of the pot when it is heating. Please wash it with a little bit vinegar.

Functional Operation



There are 4 tier of heating temperature for your choice: Keep Warm “ Warm ”, Low “ I ”, Medium “ II ”, High “ III ”. When the knob is switched to “”, the heating plate is off. When the knob switched to “Warm”, Low “ I ”, Medium “ II ” and High “ III ”, the heating plate is in work.

Troubleshooting

| Faults | Possible Cause | Solution |
|--|---|--|
| Appliance is not working and the indicator light is off. | No power supply. | Check if the appliance is well connected with power supply |
| | The appliance is not plugged into the socket. | |
| | The socket is not on. | |

Cleaning and Maintenance

- Before cleaning and maintenance, always unplug the power plug and let it cool down before cleaning.
- Do not use gasoline, decontamination powder, hard brush or stainless steel wire to wipe, so as not to damage the surface.
- Add a little bit water and detergent to the pot, scrub the inner surface of the pot with soft cloth or sponge, remove the washing water, then clean the inner surface of the pot with water to clean, pour out the water in the pot with wring cloth, do not directly clean the outer surface of the product with water.
- The appliance shall not be immersed in water for cleaning. The outer surface of the electric hot pot can be wiped with a wet towel, and shall not be washed with water to avoid leakage and failure.
- After heating, white traces at the bottom of the pot is normal for heating. Please rest assured to use the right amount of vinegar to wash the traces.
- When the product is not in use for a long time, please clean it, put it into the packaging box, and put it in a ventilated and dry place to avoid moisture and affect use.



Specifications

| | |
|-------------------|-------------------|
| Model | MHP-151 |
| Voltage/Frequency | 220-240V~ 50-60Hz |
| Capacity | 4.0L |
| Power | 1500W |
| Dimensions | 337x273x236 (mm) |



產品規格

| | |
|---------|-------------------|
| 產品型號 | MHP-151 |
| 額定電壓/頻率 | 220-240V~ 50-60Hz |
| 容量 | 4.0L |
| 額定功率 | 1500W |
| 產品尺寸 | 337x273x236 (mm) |

Bear

www.bears.com.hk

Bear

Manufacturer: BEAR ELECTRIC APPLIANCE CO., LTD.

Distributor: HOMESTUFF INTERNATIONAL COMPANY LIMITED

電郵 Email: info@bears.com.hk

官方網站 Official Website: www.bears.com.hk

Find Us On



Bear Hong Kong