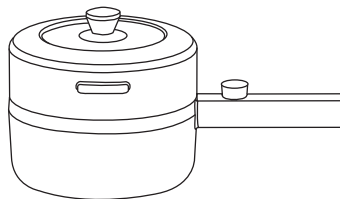


多功能懶人電煮鍋 MULTIFUNCTIONAL ELECTRIC COOKER



使用說明 USER MANUAL

i 使用產品前，請仔細閱讀本使用說明書。本產品僅限家居使用。

Before using the product, please read this user manual carefully and keep it for future reference.
This product is intended for indoor use.

i 本說明書中產品設計、規格及功能僅供參考，實際產品功能和規格可能會有不同。
產品資料如有更改，恕不另行通知。如中英文版本有差異時，應以中文版為準。

The product design, specifications and functions in this manual are for reference only. Actual product may vary. Product details are subject to change without prior notice. In case there is any inconsistency or conflict between English version and Chinese version of the terms, the Chinese version shall prevail.

Bear•為香港蝸居而誕生

成立於2006年3月，於2019年8月23日正式掛牌上市。

Bear微家電/小家電集合實用、多功能、簡約、時尚、小巧等多種特色，放在家裡每個角落，也能成為裝潢的一部分，營造出家居品味。這些特點讓 Bear成為香港小家庭及單身男女在選購小家電時的優先選擇。

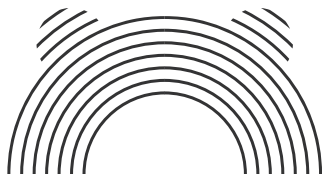
Bear以人為本，產品由入廚到生活家電，滿足你生活上各種需求，對於繁忙又對生活有要求的人，絕對是家中必備。

幸福就是那麼簡單！

Bear帶給你生活中的一點甜蜜幸福。無論是忙碌早晨的一片果醬鬆脆厚多士，夏日午後的一杯清新慢磨果汁，還是冬日睡前的暖暖花果茶。Bear為香港人繁忙的生活打造出片刻寧靜與優雅，療癒你的身心靈。

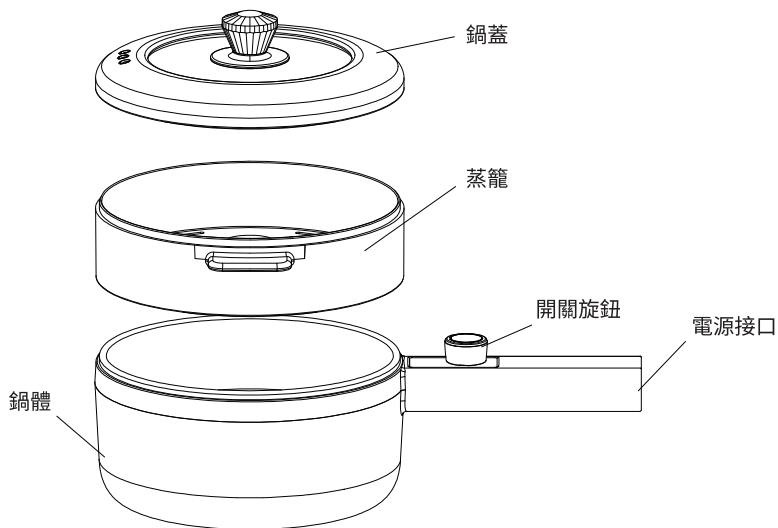
Bear•小餐桌上的廚樂

不需要大廚房，不需要巧手廚藝，只要一張小餐桌及Bear小廚具家電，你也做到的簡單料理，讓每個人也可體驗入廚樂趣。

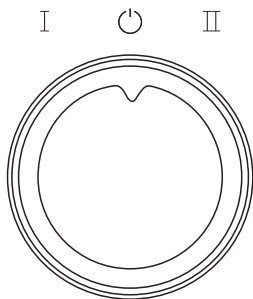




產品簡介



控制旋鈕





使用指南

安全注意事項

為防止觸電、火災、燙傷等事故，使用前請仔細閱讀並且遵循以下安全事項：

- 使用前請確保電源電壓與本產品銘牌上所標明的額定電壓一致。
- 請使用有接地保護的電源，以確保人身安全。
- 為避免熱斷路器的誤復位產生危險，請勿通過外部開關裝置供電，例如定時器或連接路由通用部件定時進行連接或斷電。
- 使用時產品應放置於穩固的平台上，並放置於兒童觸摸不到的地方。
- 請勿在地毯、塑料凳等不耐熱的表面或者附近使用，會因蒸氣受損的物體不要放置在本產品上方。
- 若產品出現乾燒情況，請往鍋內加入水或者拔掉電源，切勿觸碰發熱體以防燙傷，不使用時請拔掉電源，避免連續乾燒損壞產品。
- 請勿把本產品置放在熱源的表面上或熱源旁，如烹調器、烘爐等。
- 如電源線有可見的損壞跡象或接觸不良現象，請勿使用。必須用專用軟線或由製造商或維修部買到的專用組件來更換。
- 請勿沿尖端物品或鋒利邊沿來拉扯電線、壓線或讓它懸垂下來，同時要遠離熱源和濕源。
- 請勿將金屬等異物插入散熱孔或間隙中，否則可能導致損壞或者觸電。
- 本產品在使用時嚴禁小孩以及肢體不健全、感覺或精神上有障礙或缺乏相關經驗和知識的人單獨操作，若有小孩在旁，須加倍小心使用本產品。切勿將本產品置於小孩能觸及的地方。
- 請勿將電源線、插頭、整機等浸入水或者其它液體裡，以免損壞本產品及觸電。
- 清潔前或不使用時，請關閉電源並拔下電源插頭，待產品完全冷卻後再進行清洗。
- 底座、電源線及其它部件有損壞時，請不要使用，並送到指定的維修服務點檢查維修。
- 產品使用時會產生蒸氣從玻璃蓋的蒸氣口排出，小心被蒸氣燙傷。
- 請勿注水超過最高水位線，如果水裝得太滿，水沸騰時有可能會溢出引致燙傷。
- 嚴禁將鍋體浸入水中或其他液體中清洗，以免機器進水導致損壞或發生危險。
- 本產品在烹飪時嚴禁使用鋼鐵等堅硬材料製作的鍋鏟，以免破壞內膽不沾塗層。
- 首次使用時需要用洗潔精將其洗乾淨，再用剛剛燒開的沸水沖燙1分鐘以上，對其進行殺菌除臭。
- 切勿擅自改裝產品或使用非生產商提供的零件進行維修，否則可造成危險既令保修服務無效。
- 請勿以濕手拔除電源線，否則可能導致短路或觸電等危險。

基本操作步驟

1. 使用前，需將開關旋鈕旋至“關”檔，然後確認電源為額定電源後，插上電源。
2. 根據烹飪食物的需要，選擇向左或向右旋轉開關旋鈕。
3. 使用完後，將旋鈕調至“關”檔，關閉電源。
4. 待產品完全冷卻後再進行清潔與保養工作。
5. 本產品具有熱保護功能，當發熱盤加熱到一定的溫度時，產品會停止運作，工作指示燈不亮；當發熱盤表面溫度下降到一定溫度時，產品會重新運作。

i 溫馨提示：

1. 產品第一次使用時可能存在輕微異響和冒煙，這是屬於正常現象，請放心使用。
2. 第一次使用或長時間不使用本產品前，請及時清洗鍋內以及鍋蓋部分，清洗時請注意機器進水而導致損壞，嚴禁將機器浸入水中清洗。
3. 本產品具有熱保護功能，產品使用過程中可能有溫控跳斷情況，為正常情況，請放心使用。

功能操作

在電源接口處插上電源，開關旋鈕指示點指向“關”位置，電源指示燈不亮。左右旋轉旋鈕，旋鈕指示線所指位置為當前工作檔位，可根據自己的烹飪要求向左右調節旋鈕的角度調整火力，烹飪食物。

功能鍵	機器狀態	工作指示燈狀態
	關機	熄滅
I	開始低功率加熱	亮起
II	全功率加熱	亮起

i 溫馨提示：火力可根據烹飪要求旋轉到合適的檔位。



清潔與保養

1. 使用完畢後，請及時拔掉電源插頭。
2. 清潔產品前請務必先拔掉電源線，待產品冷卻後再進行清潔。
3. 產品高溫狀態下請勿直接放入冷水中，以免驟冷驟熱產生破裂。
4. 清潔時可用柔軟抹布或海綿滴少許洗滌劑擦拭，切勿使用鋼絲球等硬物質刷洗機器。
5. 請勿將整機放入水中清洗，請注意切勿讓底部進水，可用擰乾的濕布擦拭。
6. 產品長時間不使用時，應保持機器乾淨，可裝入包裝盒中，放置在通風乾燥的地方，以免受潮，影響使用。



常見問題

故障現象	原因分析	故障排除
指示燈不亮， 產品不加熱	停電	檢查插頭插座是否有電， 電源線引線是否完好， 插頭是否插好
	電源線插頭沒插好	
	電源插座處於關閉狀態	
	電源線尾插與機體尾插沒插緊	
指示燈亮， 產品不加熱	發熱盤損壞	聯繫售後服務部門進行維修
指示燈不亮， 產品不加熱	指示燈損壞	聯繫售後服務部門進行維修
使用過程中 突然不加熱	產品溫控跳斷保護	等待鍋內溫度降下來後自動復位

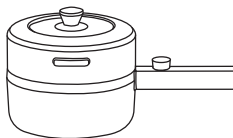


備註：

經以上現象分析後仍無法排除故障，請與本公司維修點或經銷商聯繫，嚴禁非專業人員對本機自行拆裝。



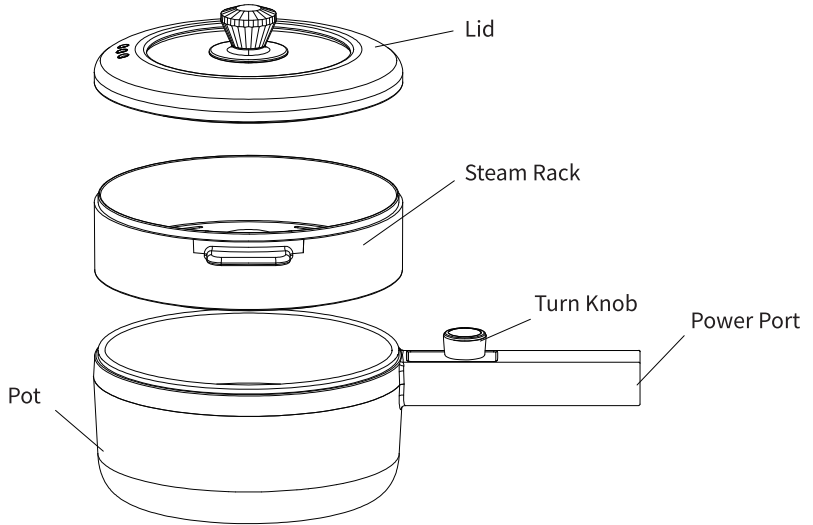
產品規格



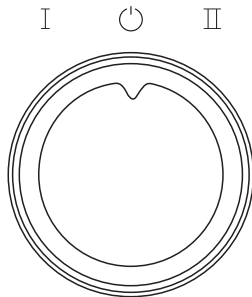
產品型號	MEC-716
電壓/頻率	220V~ 50Hz
額定容量	1.6L
額定功率	700W
產品尺寸	361x243x199.5mm



Product Overview



Control Panel





Instructions

Safety Instructions

Strictly observe the following instructions to prevent any accidents or injuries:

- Before use, please ensure that the power supply voltage is consistent with the rated voltage indicated on the nameplate of this product.
- Please use a power supply with grounding protection to ensure safety.
- To avoid danger from resetting thermal cut-out, the device should not be powered with external switch device, such as timer or timed open/close circuit of general parts.
- Please use this product on a stable platform and out of the reach of children.
- Do not use this product on or near heat-labile surfaces such as carpets and plastic stools. Do not place objects that will be damaged by steam on top of this product.
- If the product is dry-burning, please add water to the pot or unplug the power supply. Do not touch the heating element to prevent burns. Please unplug the power supply when the product is not in use to avoid continuous dry-burning damage to the product.
- Do not place this product on or near heat sources such as cookers, ovens, etc.
- Do not use this product if there are visible signs of damage or poor contact on the power cord. It must be replaced with a dedicated cord or dedicated components bought from the manufacturer or maintenance department.
- Do not pull, crimp, or dangle wires along pointed objects or sharp edges, and keep away from heat and moisture sources.
- Do not insert foreign objects such as metal into the heat dissipation holes or gaps. It may cause damage or electric shock.
- This appliance cannot be used by children and persons with reduced physical, sensory or mental capabilities or lack of experience and knowledge, but only if they have been given supervision. Great care is necessary in using the appliance, especially near children. Please place the appliance out of reach of children.
- Do not immerse the power cord, plug and the whole machine in water or other liquids to avoid damage to the product and electric shock.
- electricity shock.

- Please turn off the power and unplug the power plug before cleaning. Please let the product cool down completely before cleaning.
- Please do not use this product if the base, power cord and other parts are damaged. Please contact the designated maintenance service point for inspection and maintenance.
- Hot steam will be discharged from the steam port of the glass cover while the product is in use. Be careful of being scalded by the steam.
- Do not fill the water above the maximum water level. Water may overflow and cause burns when it boils.
- It is strictly forbidden to immerse the pot in water or other liquids for cleaning, so as to avoid damage or danger caused by water entering the machine.
- It is strictly forbidden to use spatulas made of hard materials such as steel when cooking this product, so as not to damage the non-stick coating of the pot.
- Please wash this product with detergent, and then rinse it with boiling water for more than 1 minute to sterilize and deodorize it before first time using.
- Do not attempt to refit the appliance by yourself or replace any unauthorized parts other than the supplier, otherwise it can cause hazards and the warranty will become invalid.
- Do not plug/unplug with wet hands or it might lead to short circuit and electricity shock.

Operating Instructions


1. Before using, the switch knob should be turned to "off". Confirm the power supply with the rated power supply of the product. Plug in the power supply.
2. Select function by switching to 1 or 2 according to your recipe. The indicator will be on.
3. After using, turn the knob to "off" and cut off the power.
4. Clean and maintain the product after cooling completely.
5. When the heating plate is heated to a certain temperature, the indicator light is off, the product does not work, when the temperature of the heating


I Reminder:

1. There may be slight abnormal noise and smoke when the product is used for the first time. This is a normal phenomenon.
2. Before using this product for the first time or if you do not use it for a long time, please clean the inside of the pot and the lid. When cleaning, please pay attention not to let water flow into the base of the product. It is strictly forbidden to immerse the machine in water for cleaning.
3. The cooking will be suspended when the temperature is too high due to the temperature control function.

Functional Operation

Plug in the product. The switch knob points to the "off" position and the power indicator light is off. Switch the knob left or right to select the function. You can adjust the degree of the knob left and right to adjust the power for cooking.

Function	Working Status	Indicator status
	Off	Off
I	Start to heat with low power	On
II	Heat with high power	On

 **Tips:** Power can be adjusted by switching the knob to different tiers for different kinds of food.



Cleaning and Maintenance

1. Please unplug the power plug in time after using.
 2. Please remove the power plug from the power socket before cleaning after cooling down completely.
 3. Do not put the product directly into cold water when the product is at high temperature, so as to avoid rupture due to sudden cooling and sudden heating.
 4. Use a soft cloth or sponge to wipe the product with a little detergent after using.
 5. Do not use abrasive materials such as steel balls to scrub the machine.
 6. Do not immerse the whole machine in water for cleaning. Please be careful not to let water enter the bottom. Wipe it with a wrung wet cloth.
- When the product will not be used for a period of time, the machine should be kept clean. Put it into the packaging box and place it in a ventilated and dry place to prevent dampness.



Troubleshooting

Fault Description	Possible Cause	Solution
The indicator is off and the product is not working.	Power Outage	Check if the power cord and socket is normal, if the power cord is plugged into the socket.
	The Power cord is not plugged in.	
	The socket is off.	
	The power cord is not connected.	
The machine is not working while the indicator is on.	The heating body is damaged.	Contact the customer service center.
The indicator is off while the product is working.	The light indicator is damaged.	Contact the customer service center.
The product stops suddenly while cooking.	The product is suspended due to temperature control function.	Let the product cool down to resume to work.

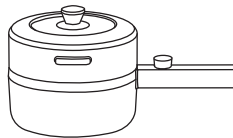


Warning:

If the problem cannot be solved after the above troubleshooting, please contact the customer service center. It is strictly forbidden for non-professionals to disassemble the appliance.



Specifications



Model	MEC-716
Voltage/Frequency	220V~ 50Hz
Capacity	1.6L
Power	700W
Dimensions	361x243x199.5mm



www.bears.com.hk

Distributor:
HOMESTUFF INTERNATIONAL COMPANY LIMITED

電郵 Email: info@bears.com.hk
官方網站 Official Website: www.bears.com.hk

Find Us On

 [Bear Hong Kong](#)