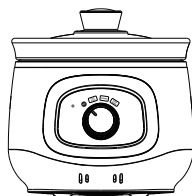


Bäa

適用型號 MODEL

DDG-D20Q2

慢煮電燉瓦罉 ELECTRIC SLOW COOKER



使用說明 USER MANUAL

i 使用產品前，請仔細閱讀本使用說明書。本產品僅限家居使用。

Before using the product, please read this user manual carefully and keep it for future reference. This dispenser is intended for indoor use.

i 本說明書中產品設計、規格及功能僅供參考，實際產品功能和規格可能會有不同。產品資料如有更改，恕不另行通知。如中英文版本有差異時，應以中文版為準。

The product design, specifications and functions in this manual are for reference only. Actual product may vary. Product details are subject to change without prior notice. In case there is any inconsistency or conflict between English version and Chinese version of the terms, the Chinese version shall prevail.

Bear•為香港蝸居而誕生

成立於2006年3月，於2019年8月23日正式掛牌上市。

Bear微家電/小家電集合實用、多功能、簡約、時尚、小巧等多種特色，放在家裡每個角落，也能成為裝潢的一部分，營造出家居品味。這些特點讓 Bear成為香港小家庭及單身男女在選購小家電時的優先選擇。

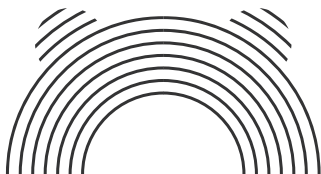
Bear以人為本，產品由入廚到生活家電，滿足你生活上各種需求，對於繁忙又對生活有要求的人，絕對是家中必備。

幸福就是那麼簡單！

Bear帶給你生活中的一點甜蜜幸福。無論是忙碌早晨的一片果醬鬆脆厚多士，夏日午後的一杯清新慢磨果汁，還是冬日睡前的暖暖花果茶。Bear為香港人繁忙的生活打造出片刻寧靜與優雅，療癒你的身心靈。

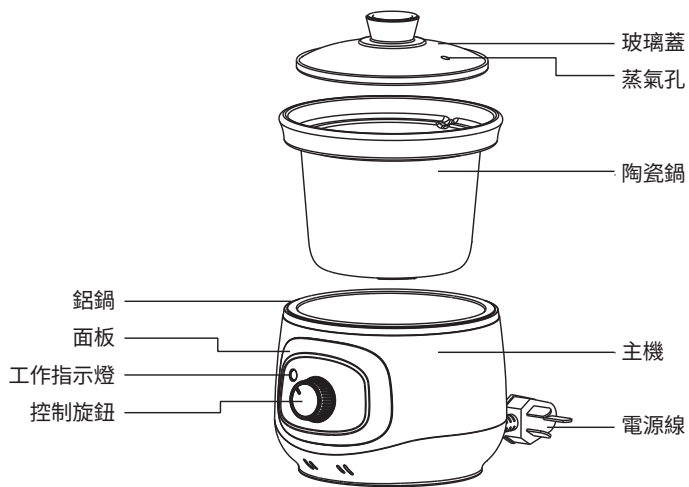
Bear•小餐桌上的廚樂

不需要大廚房，不需要巧手廚藝，只要一張小餐桌及Bear小廚具家電，你也做到的簡單料理，讓每個人也可體驗入廚樂趣。

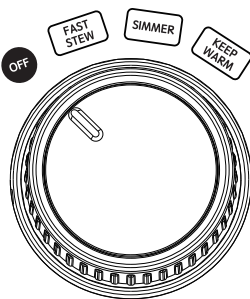




產品簡介



控制旋鈕



使用指南

安全注意事項

為防止觸電、火災、燙傷等事故，使用前請仔細閱讀並且遵循以下安全事項：

- 使用前請確保電源電壓與本產品銘牌上所標明的額定電壓一致。
- 請使用有接地保護的電源，以確保人身安全。
- 使用時電燉鍋應放置於穩固平台上，並放置在兒童觸摸不到的地方。
為避免熱斷路器的誤復位產生危險，請勿通過外部開關裝置供電，例如定時器或連接到由通用部件定時進行連接或斷電。
- 請勿把本產品置放在熱源的表面上或熱源旁，如烹調器、烘爐等。
- 如電源線有可見的損壞跡象或接觸不良現象，請勿使用。必須用專用軟線或由製造商或維修部買到的專用組件來更換。
- 請勿沿尖端物品或鋒利邊沿來拉扯電線、壓線或讓它懸垂下來，同時要遠離熱源和濕源。
- 請勿將金屬等異物插入散熱孔或間隙中，否則可能導致損壞或者觸電。
- 操作旋鈕時請勿用力過猛，以防損壞和推倒產品。
- 請勿在地毯、塑料凳等不耐熱的表面或者附近使用，會因蒸氣受損的物體不要放置在本產品上方。
- 本產品在使用時嚴禁小孩以及肢體不健全、感覺或精神上有障礙或缺乏相關經驗和知識的人單獨操作，若有小孩在旁，須加倍小心使用本產品。切勿將本產品置於小孩能觸及的地方。
- 嚴禁往鋁鍋內注水或加熱食物；禁止將陶瓷燉鍋直接放在火上煮食物。
- 若電燉鍋出現乾燒情況，請拔掉電源讓它自然冷卻，此時切勿觸摸鋁鍋和陶瓷鍋以防燙傷。
- 產品使用時會產生大量蒸氣從蒸氣孔噴出，小心被蒸氣燙傷，蓋鍋蓋時蒸氣孔朝遠離人體的位置放置。
- 燉煮食物完成，機體內還有大量蒸氣，請勿立馬打開玻璃蓋，斷電等候幾分鐘再打開，以防被蒸氣燙傷。
- 清洗時請將濕毛巾擰乾，請勿讓液體流入電燉鍋內部，以免發生危險！
- 如電源線軟線損壞，為避免危險，必須由製造廠或其維修部或類似的專職人員來更換。
- 請勿將電源線、插頭、整機等浸入水或者其它液體裡，以免損壞本產品及觸電。
- 清潔前或不使用時，請關閉電源並拔下電源插頭，待產品完全冷卻後再進行清洗。
- 底座、電源線及其它部件有損壞時，請不要使用，並送到指定的維修服務點檢查維修。
- 切勿擅自改裝產品或使用非生產商提供的零件進行維修，否則可造成危險既令保修服務無效。

基本操作步驟

初次使用

1. 首次使用，請用清水加適量的清潔劑沖洗陶瓷鍋和玻璃蓋。
(溫馨提示：陶瓷鍋屬於陶瓷類易碎品，請輕拿輕放。)
2. 請將準備好的食物放入陶瓷鍋內，並加入適量的水。
(溫馨提示：請勿將水和食物直接放在鋁鍋內加熱。)
3. 將裝滿食物的陶瓷鍋放入機體內，同時蓋上玻璃蓋。
4. 確保電燉鍋放置在平穩且兒童不易觸及的安全位置。
(溫馨提示：為了不影響您的正常活動，使用時請放在無水、水平、固定的枱面，並確保產品運作時不會被兒童玩弄。)
5. 插入電源前檢查產品開關位置處於“OFF”。
6. 插入電源，調節旋鈕開關選擇您需要的功能。
(溫馨提示：產品長時間工作時，有燙傷危險，請勿用手直接觸碰其表面，取食物前應關閉電源插座。)

功能操作

功能鍵	機器狀態	工作指示燈狀態	用途
OFF	關機	熄滅	-
FAST STEW	快燉	亮起	適用2-3小時飲食的食物
SIMMER	慢燉	亮起	適用3-6小時飲食的食物
KEEP WARM	保溫	亮起	僅適用需保溫的食物

i 溫馨提示：容易變質的食物建議不要設定長時間保溫，避免食物口感變差或變質。

嬰兒輔食

- 1) 冷水煮粥:快燉1.5小時,再用慢燉1.5小時
- 2) 滾水煮粥:選擇慢燉,2小時後完成工作,此時可轉入保溫

八寶粥

- 1) 冷水煮粥:快燉1.5小時,再用慢燉3小時
- 2) 滾水煮粥:選擇慢燉,4小時後完成工作,此時可轉入保溫

甜品

- 1) 快燉2.5-3.0小時完成,此時可選擇保溫
- 2) 慢燉3-3.5小時完成,此時可選擇保溫

肉類

- 1) 快燉2.5-3小時完成,此時可選擇保溫
- 2) 慢燉4-4.5小時完成,此時可選擇保溫

筋骨

- 1) 快燉3-3.5小時完成,此時可選擇保溫
- 2) 慢燉4.5-5小時完成,此時可選擇保溫

溫馨提示:

1. 受不同食物種類和環境影響請調整適合的加熱時間以滿足您的口味選擇,上表僅供參考。
2. 如無人照看煲粥,請選用操作方法(2)或將蓋輕輕提起小口,防止溢鍋。



清潔與保養

1. 使用完畢後，必須拔下電源插頭，然後待機體冷卻後才開始清洗。
2. 用柔軟的布或海綿擦擦拭鋁鍋內面，擦洗乾淨後確保無水液殘留，切勿用水直接清洗。
3. 不要用天拿水、汽油、去污粉、硬質刷或不鏽鋼絲球等來擦拭，以免破壞表面。
4. 切勿將整機放入水中清洗，電燉鍋外表面可用濕毛巾擦拭，不得用水沖洗，以免漏電及發生故障。
5. 如該產品不能正常使用時，請檢查電源線插頭是否插好，是否停電。否則，請送到本公司維修站維修，或委託專業人士修理，為了您的安全，切勿自行拆開修理。
6. 使用陶瓷製品時，請輕拿輕放，盡量避免陶瓷製品經常高溫狀態，以延長陶瓷製品的使用壽命。
7. 產品長時間不使用時，請清潔擦淨乾燥後，裝入包裝箱中，放於通風和乾燥的地方，以免受潮，影響使用。



常見問題

1. 指示燈不亮：
 - 是否停電？
 - 電源線是否插入插座中？
 - 電源插座是否處於關閉狀態？
 - 開關檔位是否處於“OFF”？
2. 食物沒有燉熟：
 - 燉煮的時間是否太短？(本產品為慢燉加熱原理，請酌情延長加熱時長)
 - 選擇的功能不對？

備注：經以上現象分析後仍無法排除故障，請與本公司維修點或經銷商聯繫，嚴禁非專業人員對本機自行拆裝。

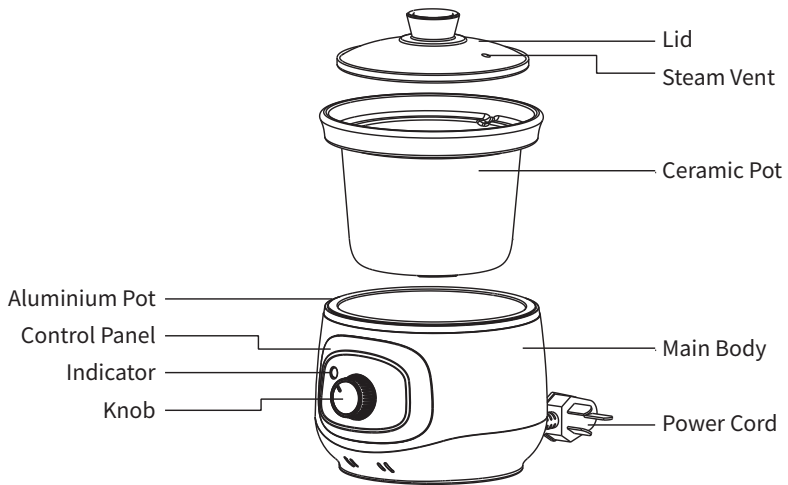


產品規格

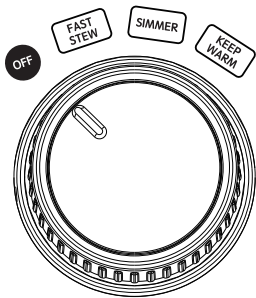


產品型號	DDG-D20Q2
電壓/頻率	220V~ 50Hz
額定功率	175W
額定容量	2L
產品重量	2.18kg
產品尺寸	212x232x213mm

Product Overview



Control Panel





Instructions

Safety Instructions

Strictly observe the following instructions to prevent any accidents or injuries:

- Before use, please ensure that the power supply voltage is consistent with the rated voltage indicated on the nameplate of this product.
- Please use a power supply with grounding protection to ensure safety.
- To avoid danger from resetting thermal cut-out, the device should not be powered with external switch device, such as timer or timed open/close circuit of general parts.
- Do not use the appliance on the carpet, plastic or other non heat-resistant materials.
- Never place the body part in water or any other liquid, nor rinse it under the tap.
- Clean the outside of the body part with a moist cloth.
- Do not pour water on the machine body or wash directly with water to avoid electric shock.
- Do not use the unit under a high temperature environment or near the stove.
- Please do not insert / put anything in the unit body to avoid mal-function.
- Please do not touch or operate the power cord and socket with wet hands to avoid electric shock.
- Please do not repair, modify or disassemble the unit to avoid accident.
- Please stop using this product if the power cord is broken and take this product to the after-sales center for maintenance.
- Never leave the appliance in operation unattended.
- Never cook food directly in the aluminum pot, nor heat the ceramic pot on fire directly.
- Please keep this unit out of reach of children and children are not allowed to operate this product.
- Plug off the product immediately when it runs out of water and wait for it to cool down before handling it.
- Do not touch the hot surface of the product, hot water, hot food and keep away from hot steam to avoid getting burnt. Use oven mitt to remove the lid and pot, etc.

- Do not open the lid immediately after boiling, open it when hot steam is dissipated.
- Do not move the appliance when it is full of liquid or food.
- This unit cannot be operated by an individual timer or remote set.
- Never turn the knob too hard to avoid damage.
- Please unplug the product if it will not be used for a long time.
- This appliance is not intended for use by persons (including children) with reduced physical, sensory or mental capability, or lack of experience and knowledge, unless they have been given supervision or instruction concerning use of the appliance by a person responsible for their safety.

Operating Instructions

Before first time using

1. Clean the ceramic pot and glass lid in warm soapy water and rinse with clean water thoroughly.
(The ceramic pot is fragile. Please handle with care.)
2. Fill the ceramic pot with food and water.
(Please do not add food and water in the aluminium pot.)
3. Place the ceramic pot with food into the aluminum pot and cover it with the lid.
4. Place the product on a stable platform out of reach of children.
5. Make sure that the knob indicates at “OFF” before plugging in the product.
6. Select the function by turning the knob on the control panel.
7. Disconnect the product after work is finished. Take out the food to serve. Turn the knob to keep warm if necessary.

Functional Operation

Functions	Indicator Status	Usage
OFF	Off	-
FAST STEW	On	Cook food in 2-3 hours
SIMMER	On	Cook food in 3-6 hours
KEEP WARM	On	For food needed to keep warm

- i** Reminder: Foods that are prone to spoilage are not recommended to be kept warm for a long time.

Recipe

Baby Congee

- 1) Cook with cold water: Fast stew for 1.5 hour, then simmer for 1.5 hour.
- 2) Cook with hot water: Select Simmer. Finish after 2 hours and change to Keep Warm.

Eight Treasures Porridge

- 1) Cook with cold water: Fast stew for 1.5 hour, then simmer for 3.5 hours.
- 2) Cook with hot water: Select Simmer. Finish after 4 hours and change to Keep Warm

Sweet Soup

- 1) Fast stew for 2.5-3 hours and then you can select Keep Warm.
- 2) Simmer for 3-3.5 hours and then you can select Keep Warm.

Meat

- 1) Fast stew for 2.5-3 hours and then you can select Keep Warm.
- 2) Simmer for 4-4.5 hours and then you can select Keep Warm.

Bones

- 1) Fast stew for 3-3.5 hours and then you can select Keep Warm.
- 2) Simmer for 4.5-5 hours and then you can select Keep Warm.

- i** 1. Please adjust the heating time according to the type of food and environment. The above table is for reference only.
2. If there is no one to take care of the porridge, please use Operation Method (2) or lift the lid slightly to prevent overflowing.



Cleaning and Maintenance

1. Before cleaning and maintenance, switch off and disconnect the appliance. Wait until it is cooled down.
2. Do not immerse the product base into liquid.
3. Ceramic pot and glass lid can be washed in hot soapy water. Rinse and dry thoroughly after cleaning.
4. Do not use stainless steel brush, nylon brush or any other abrasive tools to clean the parts. Wipe with a sponge or soft cloth.
5. Wipe the body and aluminum pot with a dry or slightly damped cloth, dry it thoroughly.
6. To remove heavy dirt, wipe it with a cloth wrung tightly. Never use a wet cloth for cleaning.
7. To avoid deformation or cracking, do not use benzine, thinner or liquid cleaners.
8. Chemical cloth may cause the change in color of the unit.
9. Wash the parts allowed to clean in water with household detergent, rinse with water and dry with a piece of soft cloth.
10. Clean the product and store it in a dry place if it will not be used for a long time.



Troubleshooting

1. The indicator is not on.
 - Is the electricity working?
 - Is the product plugged in?
 - Is the power socket on?
 - Is the knob indicating at “OFF”?
2. Food is not well-cooked.
 - Is the cooking time too short?
 - Is the function selected wrongly?

Note: If the problem cannot be solved after the above troubleshooting, please contact the customer service center. It is strictly forbidden for non- professionals to disassemble the appliance.



Specifications



Model	DDG-D20Q2
Voltage/Frequency	220V~ 50Hz
Power	175W
Capacity	2L
Weight	2.18kg
Dimensions	212x232x213mm

Bear

www.bears.com.hk

Distributor:
HOMESTUFF INTERNATIONAL COMPANY LIMITED

電郵 Email: info@bears.com.hk

官方網站 Official Website: www.bears.com.hk

Find Us On



Bear Hong Kong