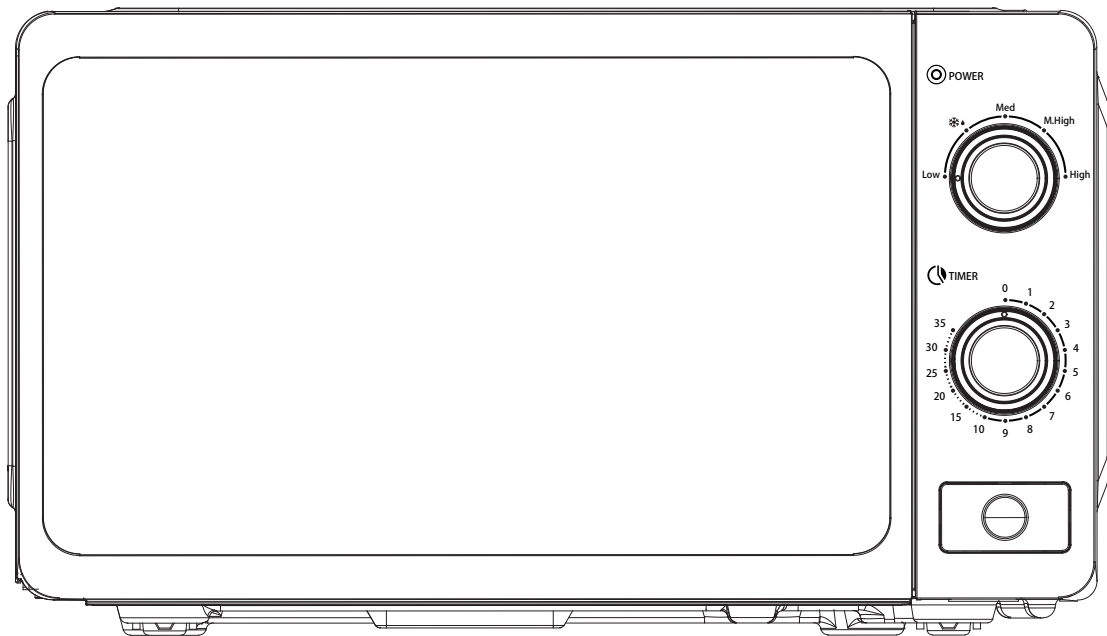


vytronix

Powerfully simple

Instruction Manual

WHV20ML MICROWAVE OVEN



Read all safety instructions before using this appliance

IMPORTANT SAFETY INSTRUCTIONS

When using the appliance, basic safety precautions should be followed, including the following: **WARNING!** To reduce the risk of burns, electric shock, fire, injury to persons or exposure to excessive microwave energy read all safety instructions fully.

1. Use this appliance only for its intended use as described in this manual. Do not use corrosive chemicals or vapours in this appliance. This type of microwave oven is specifically designed to heat, cook, or defrost food. It is not designed for industrial or laboratory use.
2. Do not operate the appliance when empty.
3. Do not operate this appliance if it has a damaged cord or plug if it is not working properly or if it has been damaged or dropped. If the supply cord is damaged, it must be replaced by Vytronix UK Ltd or an authorised person to avoid a hazard or potential void of warranty.
4. **WARNING!** Do not allow children to use the appliance without supervision unless adequate instructions have been given so that the child is able to use the appliance in a safe way and understands the hazards of improper use.
5. To reduce the risk of fire in the microwave cavity: a. When heating food in containers, keep an eye on the microwave due to the possibility of ignition. b. If smoke is observed, unplug the appliance, and keep the door closed to stifle any flames. c. Do not use the cavity for storage purposes. Do not leave paper products, cooking utensils or food in the cavity when not in use.
6. **WARNING!** Liquid or other food must not be heated in sealed containers as they are liable to explode.
7. Microwave heating of beverages can result in delayed eruptive boiling; therefore, care must be taken when handling bottles or cups.
8. This microwave is not suitable for frying foods or cooking ingredients in oil, doing so may cause serious burns and oil splatter that could permanently damage the microwave.
9. Eggs in their shell should not be heated in microwave ovens since they may explode even after microwave heating has ended.
10. Pierce foods with heavy skins such as potatoes and whole squashes before cooking.
11. Feeding bottles and baby jars should be stirred or shaken after heating, and the temperature should be checked before serving to avoid burns.
12. Cooking utensils may become hot oven gloves are recommended when removing containers and utensils from the microwave.
13. Utensils should be checked to ensure that they are suitable for use in microwaves.
14. **WARNING!** It is hazardous for anyone other than a trained person to carry out any service or repair operation which involves the removal of any covers or the waveguide.

15. This product is a Group 2 Class B ISM equipment. The definition of Group 2 which contains all ISM (Industrial, Scientific, and Medical) equipment in which radio-frequency energy is intentionally generated and/or used in the form of electromagnetic radiation for the treatment of material, and spark erosion equipment. Class B equipment is equipment suitable for use in domestic establishments and in establishments directly connected to a low voltage power supply network which supplies buildings used for domestic purposes.
16. This appliance is not intended for use by persons (including children) with reduced physical, sensory, or mental capabilities, or lack of experience and knowledge, unless they have been given supervision or instruction concerning use of the appliance by a person responsible for their safety.
17. The microwave oven is only to be used freestanding and should not be placed in a cabinet or cupboard except for when storing.
18. **WARNING!** Do not install microwave over a range cooktop or other heat-producing appliance, if installed it could be damaged and the warranty would be void.
19. **CAUTION!** The door or the outer surface may get hot when the appliance is in operation, take care to avoid scolding.
20. The appliance should be placed with its back against a wall. Check installation guide for correct installation of the microwave.
21. **WARNING!** If the door or door seals are damaged, the microwave must not be operated please contact Vytronix UK Ltd support team immediately.
22. The microwave oven is for household use only and not for commercial use.
23. Never remove the distance holder in the back or on the sides, as it ensures a minimum spacing for air circulation.
24. Always secure the turn table before you move the appliance to avoid damages.
25. **CAUTION!** Hot steam may escape from containers including those with plastic wrap covers.

PRECAUTIONS TO AVOID POSSIBLE EXPOSURE TO EXCESSIVE MICROWAVE ENERGY

1. Do not attempt to operate this microwave with the door open since open door operation can result in harmful exposure to microwave energy. It is important not to tamper with the safety interlocks.
2. Ensure the correct sized plate or containers are used in the microwave to avoid the turntable becoming stuck and becoming inoperable.
3. Do not operate the unit if it is damaged. It is particularly important that the door closes properly and that there is no damage to the door, hinges and latches, or door seals and sealing surfaces.
4. The appliance should not be adjusted or repaired by anyone except properly qualified service personnel authorised to do so by Vytronix UK Ltd.

SPECIFICATIONS

Power consumption	1150W	Capacity	20L
Output	700W	Weight	11.2KG
Operation Frequency	2450MHz	Control Type	Manual
Outside Dimensions	W451*H258*D324	Power Levels	5
Cavity Dimensions	W297xH209xD296	Cooking Uniformity	Turntable system

INSTALLATION

1. Ensure that all the packing materials are removed including from the inside of the door.
2. **WARNING!** Check the microwave for any damage, such as a misaligned or bent door, damaged door seal and sealing surface, broken or loose door hinge or latch and dents inside the cavity. If there is any damage, do not operate the microwave and contact Vytronix UK Ltd immediately.
3. This microwave oven must be placed on a flat, stable surface to hold its weight and the heaviest food likely to be cooked in the microwave.
4. Do not place the microwave where heat, moisture, or high humidity are generated, or near combustible materials.
5. For correct operation, the microwave must have sufficient airflow. Allow 20cm of space above the microwave, 10cm at back and 5cm at both sides. Do not cover or block any openings on the appliance. Do not remove the feet or distance holders which ensure a safe gap for circulation between the appliance and the wall.
6. Do not operate the microwave without glass plate, rotating support ring, and rotating axel in place.
7. Check the power cord and plug for any damages and ensure the cord does not run underneath the microwave.
8. The socket must be readily accessible so that it can be easily unplugged in an emergency.
9. Do not use the microwave outdoors or any area prone to damp or humidity.

NOTE: When the microwave is first used, it may produce slight smoke and a smell. This is a normal phenomenon because the microwave is made of a steel plate coated with lubricating oil, and the new microwave will produce fumes and odour generated by burning the lubricating oil. This phenomenon will disappear after a period of using.

RADIO INTERFERENCE

Operation of the microwave can cause interference to your radio, TV, or similar equipment. When there is interference, it may be reduced or eliminated by taking the following measures:

1. Clean the door and sealing surface of the microwave.
2. Reorient the receiving antenna of radio or television.
3. Relocate the microwave with respect to the receiver.
4. Move the microwave oven away from the receiver.
5. Plug the microwave into a different outlet so that microwave and receiver are on different branch circuits.

GROUNDING INSTRUCTIONS

This appliance must be grounded. This microwave is equipped with a power cord with a grounding wire and grounding plug. It must be plugged into a wall receptacle that is properly installed and grounded. In the event of an electrical short circuit, grounding reduces risk of electric shock by providing an escape wire for the electric current. It is recommended that the appliance is not plugged into an extension lead. Using a high voltage is dangerous and may result in a fire or other accident, causing microwave damage. **WARNING!** Improper use of the grounding plug can result in a risk of electric shock.

Note: 1. If you have any questions about the grounding or electrical instructions, consult a qualified electrician or service person.

2. Neither Vytronix UK Ltd nor the retailer can accept any liability for damage to the microwave or personal injury resulting from failure to observe the electrical connection procedures. The wires in this cable main are coloured in accordance with the following code:

Green and Yellow = EARTH

Blue = NEUTRAL

Brown = LIVE

MICROWAVE COOKING PRINCIPLES

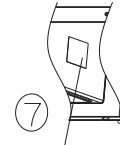
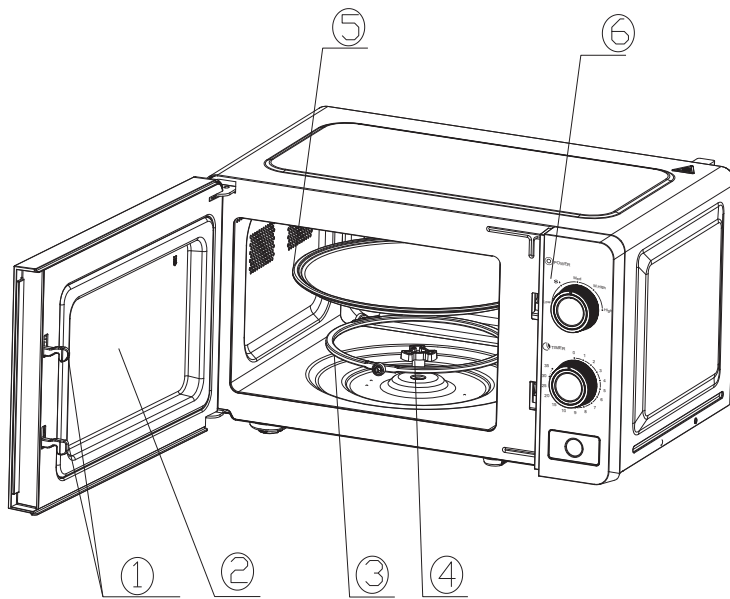
1. Arrange food carefully. Place thickest areas towards the outside of the dish.
2. Start cooking with a shorter time setting, check it and extend the time according to the actual need to avoid over cooking food. Over cooking may result in smoke or ignition.
3. Cover foods while cooking. Covers prevent spattering and help foods to cook evenly.
4. Stir foods that include liquids halfway through cooking to ensure a thorough cook.

WARNING! Always ensure food is thoroughly cooked before consuming. Where applicable always follow the cooking guidelines on the food packaging.

UTENSILS GUIDE

1. The ideal material for a microwave utensil is a transparent container, it allows energy to pass through the container and heat the food.
2. Microwaves cannot penetrate metal, so metal utensils or dishes with metallic trim should never be used. **WARNING!** Using metal containers or containers that do not have a "microwave safe" mark on can cause severe damage to the appliance and would invalidate any warranty. This includes the use of aluminium foil and aluminium foil containers.
3. Do not use recycled paper products when microwave cooking, as they may contain small metal fragments which may cause sparks and/or fires.
4. Round/oval dishes rather than square/oblong are recommended as food in corners can overcook.

GETTING TO KNOW YOUR MICROWAVE



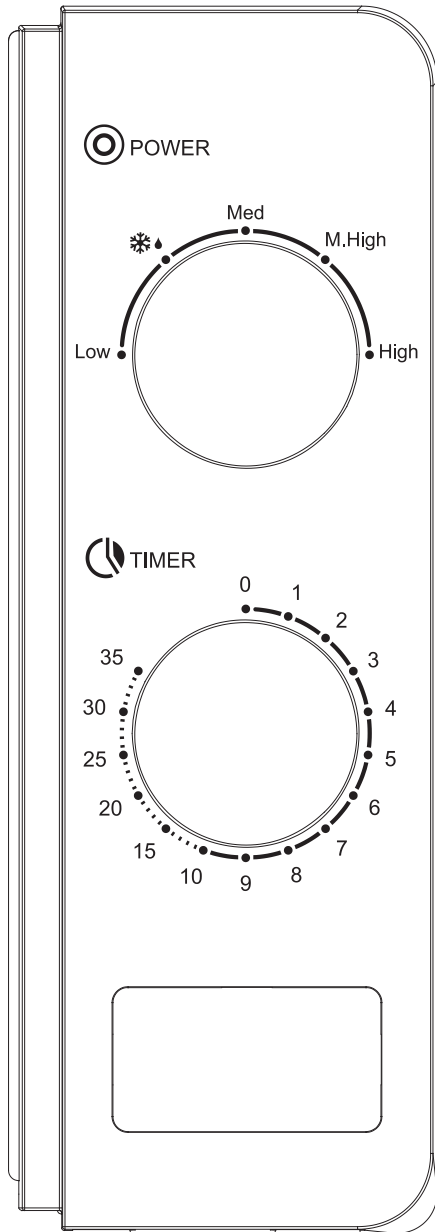
Waveguide cover
Never remove the waveguide cover. To prevent moisture or fat from entering the waveguide cover when the microwave oven is working.

- | | |
|--------------------------|--------------------|
| 1. Door lock | 5. Glass plate |
| 2. Viewing window | 6. Control panel |
| 3. Rotating support ring | 7. Waveguide cover |
| 4. Rotating axis | |

WARNING! Never use without the rotating support ring in place and the glass plate on the top.

WARNING! Never remove the waveguide cover

CONTROL PANEL – MICROWAVE FUNCTIONS



Selecting the correct power level:

No.	MICROWAVE POWER	MICROWAVE OUTPUT RATIO
1	Low	17% power output
2	Defrost/M.Low	30% power output
3	Med	55% power output
4	M.High	80% power output
5	High	100% power output

Defrost setting information

No.	Weight (g)	Defrost time
1	200g	About 4 minutes
2	400g	About 8 minutes
3	600g	About 12 minutes

Timer dial 0-35 minutes.

At the end of cooking a "ding" sound will ring to indicate that the cooking time is complete. Always ensure the timer dial remains at 0 when the microwave is not in use and before switching off at the mains.

OPERATING YOUR MICROWAVE

1. Plug into the mains power.
 - Before connecting the cord, make sure the timer is set to "0" position.
 - Do not block the ventilation and check the installation guide has been followed.
2. Make sure the rotating plate is locked into the rotating axis correctly.
3. Place the food on the glass turntable and close the door.
 - Food must be either in a container or on a plate.
 - Do not turn the microwave on with an empty load to avoid damaging the appliance.
4. Select the desired microwave power level.
5. Set the timer, if the desired time is less than 2 minutes, turn the microwave power dial to over 3 minutes position and then turn back to the desired time setting.
6. Once the desired time is set, the cooking begins. If pausing midway is needed, just open the door at any time, and close it to resume operation.
7. When it times out and cooking ends, the microwave produces a "ding", the inside light will also be automatically turned off. If food is removed before the timer runs out, make sure to set back the timer to the "0" position, this prevents the microwave from operating empty.

TIP! Use an oven glove or tea towel to remove food containers and plates from the microwave to avoid scolding. Be careful to not touch the heat element on the top of the cavity. Allow the food to stand in the microwave for an adequate length of time, this allows it to complete its cooking cycle and cool down in a gradual manner.

CAUTION! At mid-point to defrosting time, please open the door to turn the food, so that the defrosting effect is more uniform.

CLEANING AND CARE

1. Turn off the microwave and remove the power plug from the wall socket before cleaning.
2. Keep the inside of the microwave clean using a damp cloth. Mild detergent may be used if the microwave gets very dirty however avoid directly spraying the inside with any products. Do not use bleach or harsh cleaners as they may stain or dull the surface.
3. The outside surfaces should be cleaned with a damp cloth. To prevent damage to the operating parts inside the microwave, water should not be allowed to seep into the ventilation openings.
4. Wipe the door and viewing window on both sides, the door seals, and adjacent parts frequently with a damp cloth to remove any spills or spatters. Do not use an abrasive cleaning pad or harsh chemicals.
5. If steam accumulates inside or around the outside of the microwave door, wipe with a soft cloth. This may occur when the microwave oven is operated under high humidity condition, this is normal. Leaving the door open for a small period when not in use will also prevent moisture build up.
6. It is occasionally necessary to remove the glass plate for cleaning. Wash the plate in warm soapy water or in a dishwasher.
7. The roller ring and microwave floor should be cleaned regularly to avoid excessive noise. Simply wipe the bottom surface of the microwave with a damp cloth. The roller ring may be washed in mild soapy water or a dishwasher. Be sure to replace in the proper position.
8. Remove odours from your microwave by combining a cup of water with the juice and skin of one lemon in a deep microwaveable bowl, microwave for 5 minutes. Wipe thoroughly and dry with a soft cloth.
9. When it becomes necessary to replace the microwave light, please consult Vytronix UK Ltd.
10. The microwave should be cleaned regularly, and any food deposits removed. Failure to maintain the microwave in a good condition could lead to deterioration of the surfaces that could adversely affect the life of the appliance and possibly result in a hazardous defect.
11. Please do not dispose of this appliance into the domestic rubbish bin; it should be disposed of via an appropriate disposal centre, please check with your local council or contact our friendly support team at support@vytronix.com
12. When the microwave is first used, it may produce slight smoke and smell. This is a normal phenomenon because the microwave is made of a steel plate coated with lubricating oil, and the new microwave will produce fumes and odour generated by burning the lubricating oil. This phenomenon will disappear after a period of using.

RECIPE INSPIRATION

Visit us on Instagram “@vytronixltd” & TIKTOK “@vytronixuk” for more recipe inspiration, new product alerts, handy cleaning tips and discounts.

Ginger Spiced Hot Chocolate

Ingredients

- 3 teaspoons unsweetened cocoa powder,
- 2 teaspoons powdered sugar,
- ⅛ teaspoon ground ginger,
- 1 cup milk (whole milk, semi-skimmed/skimmed, or non-dairy),
- optional garnishes: whipped cream, dark chocolate shavings, marshmallows

Instructions

- In a large microwave safe mug, whisk together cocoa powder, powdered sugar, and ground ginger.
- Slowly pour in milk while whisking.
- Microwave for 60–90 seconds or until hot. Whisk again and serve immediately with desired garnishes.

Vanilla Mug Cake

Ingredients

- ¼ cup + 1 ½ teaspoons all-purpose flour,
- 2 tablespoons sugar,
- ¼ teaspoon baking powder,
- Pinch of salt,
- 2 tablespoons butter (melted),
- 3 tablespoons milk,
- ½ teaspoon vanilla extract,
- 1 teaspoon sprinkles

Instructions

- Add flour, sugar, baking powder, and salt to a mug and stir together.
- Stir in milk, melted butter, and vanilla extract until smooth, being sure to scrape the bottom of the mug. Stir in sprinkles.
- Cook in the microwave for 70–90 seconds* (until cake is just set, but still barely shiny on top). Allow to rest in microwave for 1 minute before consuming.

TROUBLESHOOTING

PROBLEM OCCURRED	POSSIBLE CAUSE	POSSIBLE SOLUTION/PREVENTION
No power to the microwave	The plug is not plugged into a plug socket	Make sure the plug is turned on and firmly inserted into the plug socket. If not, take the plug out of the socket, wait ten seconds, and then firmly plug it back in.
	Plug socket is not working	It's possible that the plug socket where the microwave is plugged in has developed a defect. Check to see if the microwave is operational by plugging it into another plug socket.
	The fuse has blown	Look for blown circuit fuses or tripped main circuit breakers in the plug. Test the socket with a different appliance if they appear to be operating normally.
Not Heating	Possible fault to the magnetron	The magnetron, which creates the microwaves, is the component that is likely to be at fault if food is not being heated or is only "lukewarm". If this issue arises then please contact us as support@vytronix.com
Sparking	Metal/foil inside the microwave	No metal/foil should be inserted into the microwave at any times as this can cause the microwave to spark and cause damage to the microwave itself.
	Pressure build up	Foods with non-porous skins, must have holes pierced through them to allow steam to escape. If not then this can cause the foods to burst which is a possible fire hazard.
	Food stuck on the microwave walls	Spilled foods can burn and ignite any food. All food should be wiped up and cleaned after each use. Be careful not to burn food in any part of the microwave.
Light not working	Bulb needs changing	Due to where the bulb is placed, this can only be changed by a qualified technician. Please contact us as support@vytronix.com
Turntable is not turning	Rotating support ring is not fitted correctly	Check that this has been placed under the turntable correctly.
	Turntable has not been fitted into the axis correctly	Check to make sure the turntable is inserted into the axis correctly.
Too loud	Turntable is not inserted correctly	Make sure the turntable has been inserted correctly. Also make sure that you use the correct size plates for this microwave.

Correct disposal of this product



This marking indicates that this product should not be disposed with other household wastes throughout the EU. To prevent possible harm to the environment or human health from uncontrolled waste disposal, recycle it responsibly to promote the sustainable reuse of material resources. To return your used device, please use the return and collection systems or contact the retailer where the product was purchased. They can take this product for environmentally safe recycling.

WARRANTY

To register your warranty please visit www.vytronix.com and click guarantee registration.



vytronix

Powerfully simple

If you have any queries or require assistance with using your Product including set up, troubleshooting or registration please email our customer care on support@vytronix.com.

Register your warranty at www.vytronix.com