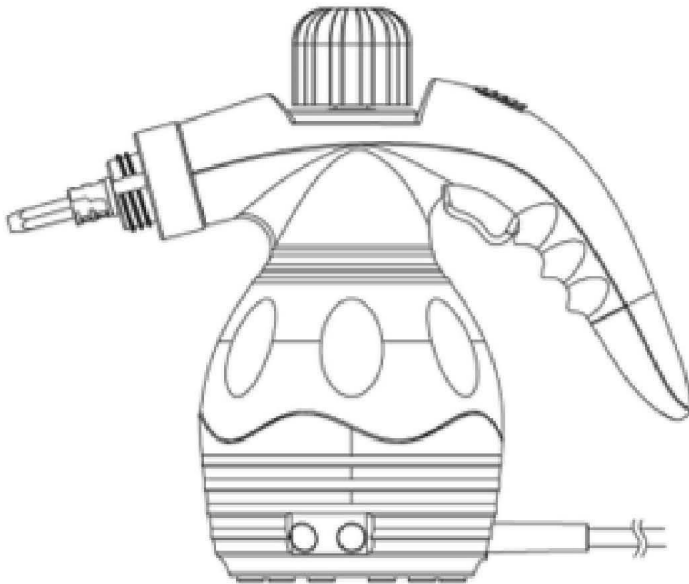


# vytronix

## HANDHELD STEAM CLEANER



HHG230

[www.vytronix.com](http://www.vytronix.com)

## **CAUTION: READ ALL INSTRUCTIONS BEFORE USING THIS APPLIANCE**

To reduce the risk of fire, electric shock, or injury, when using the appliance, basic precautions should always be followed.

### **WARNING! DANGER OF SCALDING**

1. To provide continued protection against risk of electric shock, connect to properly grounded outlets only.
2. Check that the main voltage corresponds to the voltage indicated on the rating label on the back of this appliance.
3. This product is designed for domestic use only.
4. Do not use outdoors.
5. After use always unplug from the mains socket.
6. This appliance is not a toy. Young children should be supervised to ensure that they do not play with the appliance. Pay close attention when using this appliance near children or pets.
7. **WARNING!** Never direct steam towards people, animals, or plants.
8. The liquid or steam should not be directed towards equipment containing electrical components, such as the interior of ovens.
9. Do not expose to rain.
10. Do not immerse the appliance into water or other liquids.
11. Always keep the child safety lock in place whilst the steamer is not in use.
12. Do not use this appliance with attachments other than those supplied with this appliance or recommended by Vytronix.
13. If you notice water leaking from the appliance, immediately switch it off and contact the support team.

14. Do not use the steamer in enclosed spaces that are filled with flammable, explosive or toxic vapor such as paint thinner or oil-based paint.
15. Do not use on leather, wax polished furniture or unsealed hardwood or parquet flooring. Spot test on a discreet area before using on synthetic fabrics, velvet, or other delicate steam-sensitive materials.
16. Do not place on or near a hot gas, electric burners, or in a heated oven.
17. Do not use with damaged cord or plug. If the appliance is not working as, it should, has been dropped, damaged, left outdoors, or immersed into water, contact vytronix support immediately. If the supply cord is damaged, do not attempt to repair this.
18. Do not pull or carry by cord or use cord as a handle. Keep cord away from heated surfaces.
19. Do not handle plug or appliance with wet hands.
20. Do not insert any objects into openings. Do not use with any opening blocked.
21. Do not use without water in the water tank and do not overfill.
22. Do not use appliance for anything other than its intended use as described in this manual.
23. Care should be taken when using appliance due to emission of steam.
24. Unplug the appliance before carrying out User maintenance on the appliance.
25. Always store indoors in a cool, dry place.
26. Never use hot water or liquids in this appliance, doing so could cause serious harm and damage this appliance.

27. Never block the steam openings of the product or place it on a soft surface, where the steam openings may be blocked. Keep the steam openings free of lint, hair, and other potential obstructions.
28. This appliance can be used by persons with reduced physical, sensory, or mental capabilities or lack of experience and knowledge if they have been given supervision or instruction concerning use of the appliance in a safe way and understand the hazards involved.
29. Do not leave the steamer unattended while plugged in. To safely unplug, grasp the plug, and gently pull, do not unplug by pulling on the cord.
30. The appliance is not to be used if it has been dropped or has visible signs of damage.
31. If the tank needs to be refilled ensure the appliance is switched off at the mains and has cooled down prior to removing the cap and refilling.
32. After use, turn the power switch off and unplug from the wall. Carefully release the steam, until there is no steam left in the tank. Safely open the valve and drain any excess water and then wipe with a dry cloth remove any excess water. Securely close the safety valve before storage. Do not store the appliance, if any water or steam is still in the tank or on the appliance.

### **Important information**

Rated Voltage: AC 220-240V

Frequency: 50/60Hz

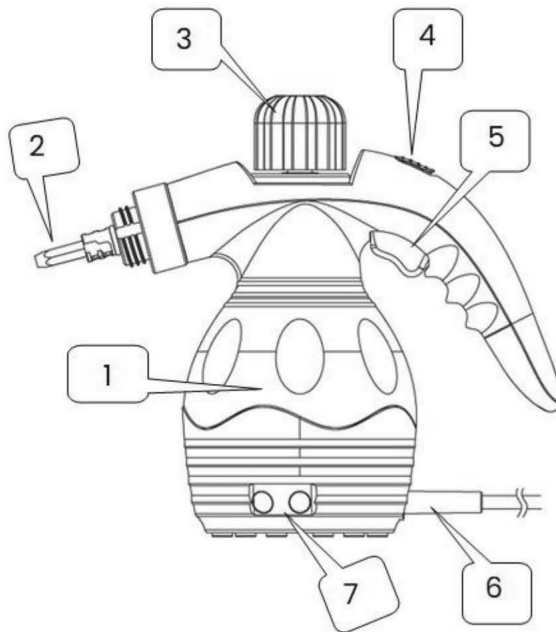
Rated Power: 1000W

Boiler Capacity: 350ml.

Steam Pressure: 3 bar

Water tank capacity: 250ml.

## Getting to know your steamer:



1. Main Body
2. Small steam nozzle – CAUTION! Steam is released from this nozzle.
3. Water tank cap
4. Child safety lock
5. Steam release button – hold the steam release button & safety child lock at the same time to release the steam.
6. Power cord and protective sheath
7. Indicators – during the heating process the indicator will be red, once the steam pressure is ready the indication will turn green.

**Accessories:**



1. Large Nozzle



2. Angled Nozzle



3. Small Brush



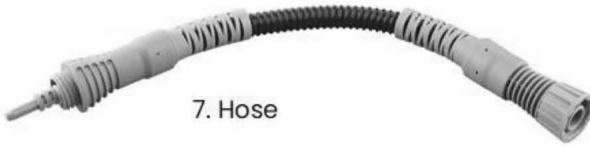
4. Garment/Upholstery Tool



5. Window/Garment Cloth



6. Window Tool



7. Hose



8. Measuring Cup

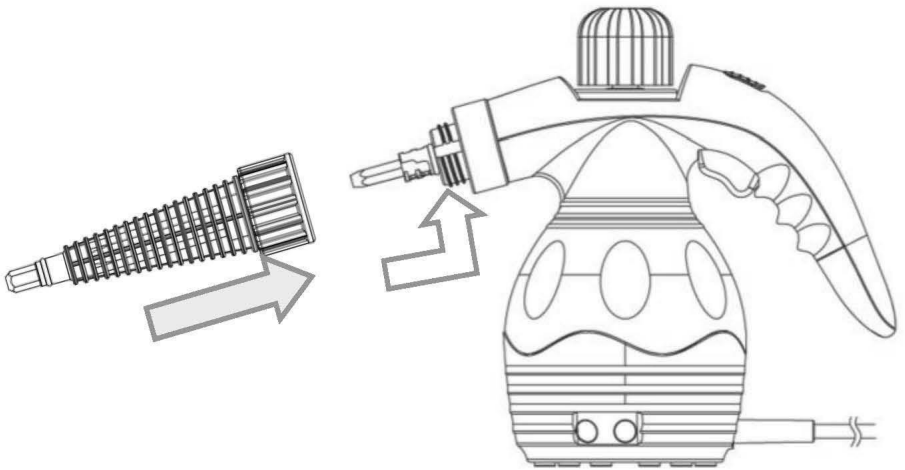


9. Funnel

## Using your steamer.

Before using this appliance, please ensure you have read all the safety instructions to avoid injury.

1. Select the required nozzle or tool for the surface you want to clean. Slot the nozzle/tool onto the small steam nozzle and tighten it by twisting it clockwise to secure it in place.



2. Remove the water tank cap by pushing it down and turning it anti-clockwise.  
**WARNING!** Do not attempt to open the tank cap when the steamer is hot or has just been used, boiling water and steam can escape and cause severe injury. Once the pressure has dropped it is safe to remove the cap for refilling. Take care as a small amount of steam may still release.
3. Fill the tank with cold water only, using the funnel and measuring cup provided. Do not overfill the tank. The maximum capacity is 250ml.
4. Replace the tank cap turning it clockwise and ensure it is secure.

5. Plug the power plug into the mains socket. The red indicator light will illuminate to show this is heating the water.
6. The indicator light will turn green when the steam pressure is ready to use.
7. Press and hold the child safety lock and the steam release button at the same time to unlock the child safety lock. Continue to hold the steam release button and the steam will release.

**WARNING!** Do not change nozzles / tools during steam cleaning.

**CAUTION!** Do not touch the steam nozzle when the steam is being released or whilst the appliance is heating up as this can cause serious burns. Never point nozzles towards persons or animals.

**WARNING!** To prevent damage to windows always keep the nozzle 30cm away from glass especially during colder weather or in cold rooms.

8. To refill follow the steps above (3)
9. Always allow to cool after use and unplug from the mains power supply.
10. Once the steamer has cooled, remove the water tank cap and empty any remaining water before storing the appliance. This will prolong the lifespan of your appliance and prevent any build up of calc or limescale.



## Cleaning and maintenance

**WARNING! Ensure the appliance is switched off and unplugged before carrying out maintenance.**

**HINT!** For the best performance drain any remaining water in the tank and clean the tank after every use.

### Descaling your water tank:

To clean calcium deposits that build up inside the water tank, add one or two tablespoons of white vinegar to a full water tank, close the water tank cap and shake the contents. DO NOT TURN THE STEAMER ON. Let the unit sit for a few hours. Empty the water tank and refill with clean water and empty until it rinses clear.

**Microfiber garment cloth care:** Machine wash at 30 degrees. Do not bleach. Do not use fabric softener. Do not Tumble Dry.

## Troubleshooting

**WARNING! Ensure the appliance is switched off and unplugged before carrying out maintenance.**

Problem	Possible Cause	Solution
The appliance does not power on	The appliance is not plugged in and switched on	Ensure the appliance is plugged into a suitable power supply
Steam is reduced or there is no steam being produced	Water tank is empty	Fill the water tank
	Build-up of lime scale	Following the cleaning procedure
	Blocked steam nozzle/tool	Allow the machine to cool and remove the attached nozzle or tool to check there is nothing blocking this.

**WARNING! Never attempt to carry out checks or repairs other than those stated in this user manual. If you discover a fault with this appliance or there is damage to the cord, plug or the appliance has been dropped in water please contact Vytronix Support immediately at [support@vytronix.com](mailto:support@vytronix.com)**







# vytronix

**Powerfully simple**

If you have any queries or require assistance with using your Product including set up, troubleshooting or registration please email our customer care on [support@vytronix.com](mailto:support@vytronix.com).

Register your warranty at [www.vytronix.com](http://www.vytronix.com)