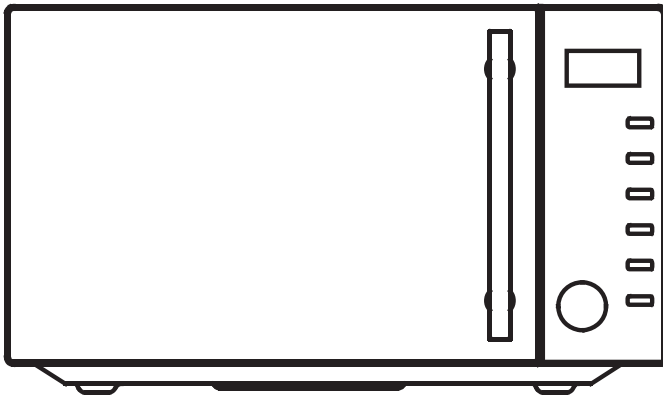




B25M MICROWAVE OVEN  
INSTRUCTION MANUAL



## PRECAUTIONS TO AVOID POSSIBLE EXPOSURE TO EXCESSIVE MICROWAVE ENERGY

1. Do not attempt to operate this microwave with the door open since open door operation can result in harmful exposure to microwave energy. It is important not to tamper with the safety interlocks.
2. Do not place any object between the microwave front face and the door or allow dirt or residue from cleaning products to accumulate on sealing surfaces.
3. Do not operate the unit if it is damaged. It is particularly important that the door closes properly and that there is no damage to the
  - a. Door (bent/cracked),
  - b. Hinges and latches (broken or loosened),
  - c. Door seals and sealing surfaces (worn, split or distorted).
4. The unit should not be adjusted or repaired by anyone except properly qualified service personnel authorized to do so by Vytronix UK Ltd.

## CONTENTS

PRECAUTIONS TO AVOID POSSIBLE EXPOSURE TO EXCESSIVE MICROWAVE ENERGY	1
IMPORTANT SAFETY INSTRUCTIONS	2
SPECIFICATIONS	4
INSTALLATION	4
RADIO INTERFERENCE	5
GROUNDING INSTRUCTIONS	5
MICROWAVE COOKING PRINCIPLES	6
BEFORE YOU CALL FOR SERVICE	6
UTENSILS GUIDE	7
PART NAMES	7
CONTROL PANEL	8
HOW TO USE THE OVEN CONTROLS	9
CLEANING AND CARE	14

## IMPORTANT SAFETY INSTRUCTIONS

When using the appliance, basic safety precautions should be followed, including the following:

**WARNING:** To reduce the risk of burns, electric shock, fire, injury to persons or exposure to excessive microwave energy:

1. Read all instructions before using the appliance.
2. Use this appliance only for its intended use as described in this manual. Do not use corrosive chemicals or vapors in this appliance. This type of microwave is specifically designed to heat, cook or dry food. It is not designed for industrial or laboratory use.
3. Do not operate the appliance when empty.
4. Do not operate this appliance if it has a damaged cord or plug, if it is not working properly or if it has been damaged or dropped. If the supply cord is damaged, it must be replaced by Vytronix Ltd or its service agent or a similarly qualified person in order to avoid a hazard or potential void of warranty.
5. Warning: When the appliance is operated in the combination mode, children should only use the microwave under adult supervision due to the temperatures generated.
6. To reduce the risk of fire in the microwave cavity:
  - a. When heating food in plastic or paper container, keep an eye on the microwave due to the possibility of ignition.
  - b. Remove wire twist-ties from paper or plastic bags before placing bag in oven.
  - c. If smoke is observed, unplug the appliance and keep the door closed in order to stifle any flames.
  - d. Do not use the cavity for storage purposes. Do not leave paper products, cooking utensils or food in the cavity when not in use.
7. **WARNING:** Liquid or other food must not be heated in sealed containers since they are liable to explode.
8. Microwave heating of beverage can result in delayed eruptive boiling, therefore care has to be taken when handling the container.
9. Do not fry food in the oven. Hot oil can damage microwave parts and utensils and even result in skin burns.
10. Eggs in their shell and whole hard-boiled eggs should not be heated in microwave ovens since they may explode even after microwave heating has ended.
11. Pierce foods with heavy skins such as potatoes, whole squashes, apples and chestnuts before cooking.
12. The contents of feeding bottles and baby jars should be stirred or shaken and the temperature should be checked before serving in order to avoid burns.
13. Cooking utensils may become hot because of heat transferred from the heated food. Potholders may be needed to handle the utensil.
14. Utensils should be checked to ensure that they are suitable for use in microwave oven.

**15. WARNING:** It is hazardous for anyone other than a trained person to carry out any service or repair operation which involves the removal of any cover giving protection against exposure to microwave energy.

**16.** This product is a Group 2 Class B ISM equipment. The definition of Group 2 which contains all ISM (Industrial, Scientific and Medical) equipment in which radio-frequency energy is intentionally generated and/or used in the form of electromagnetic radiation for the treatment of material, and spark erosion equipment. For Class B equipment is equipment suitable for use in domestic establishments and in establishments directly connected to a low voltage power supply network which supplies buildings used for domestic purpose.

**17.** This appliance is not intended for use by persons (including children) with reduced physical, sensory or mental capabilities, or lack of experience and knowledge, unless they have been given supervision or instruction concerning use of the appliance by a person responsible for their safety.

**18.** The microwave is only to be used freestanding.

**19. WARNING:** Do not install microwave over a range cooktop or other heat-producing appliance. If installed could be damaged and the warranty would be void .

**20.** The accessible surface may be hot during operation.

**21.** The microwave shall not be placed in a cabinet.

**22.** The door or the outer surface may get hot when the appliance is operating.

**23.** The temperature of accessible surfaces may be high when the appliance is operating.

**24.** The appliance should be placed against a wall.

**25. WARNING:** If the door or door seals are damaged, the microwave must not be operated until it has been repaired by a qualified person authorized by Vytronix UK Ltd.

**26.** The microwave is for household use only and not for commercial use.

**27.** Never remove the distance holder in the back or on the sides, as it ensures a minimum spacing for air circulation.

**28.** Please secure the turn table before you move the appliance to avoid damages.

**29. Caution:** It is dangerous for the appliance to be repaired by anyone other than a specialist because under these circumstances the cover may have to be removed which assures protection against microwave radiation. This applies to changing the power cord or the lighting as well. Please contact Vytronix Ltd for advice before doing so.

**30.** The microwave is intended for defrosting, cooking and steaming of food only.

**31.** Use heatproof or microwave gloves when you remove any heated food.

**32. Caution!** Steam may escape when opening lids or unwrapping film.

## SPECIFICATIONS

Power Consumption	230V-240V~50Hz, 1400W(microwave)
Output	900W
Operation Frequency	2450MHz
Outside Dimensions	281mm(H)×483mm(W)×395mm(D)
Microwave Cavity Dimensions	220mm(H)×340mm(W)×344mm(D)
Microwave Capacity	Compact 25 Litres
Cooking Uniformity	Turntable System
Net Weight	Approx.13.9kg

## INSTALLATION

1. Make sure that all the packing materials are removed from the inside of the door.
2. **WARNING:** Check the microwave for any damage, such as misaligned or bent door, damaged door seals and sealing surface, broken or loose door hinges and latches and dents inside the cavity or on the door. If there is any damage, do not operate the microwave and contact Vytronix UK Ltd immediately.
3. This microwave must be placed on a flat, stable surface to hold its weight and the heaviest food likely to be cooked in the oven.
4. Do not place the microwave where heat, moisture, or high humidity are generated, or near combustible materials.
5. For correct operation, the microwave must have sufficient airflow. Allow 20cm of space above the oven, 10cm at back and 5cm at both sides. Do not cover or block any openings on the appliance. Do not remove feet.
6. Do not operate the microwave without glass tray, roller support, and shaft in their proper positions.
7. Make sure that the power supply cord is undamaged and does not run under the microwave or over any hot or sharp surface.
8. The socket must be readily accessible so that it can be easily unplugged in an emergency.
9. Do not use the microwave outdoors.

## RADIO INTERFERENCE

Operation of the microwave can cause interference to your radio, TV, or similar equipment. When there is interference, it may be reduced or eliminated by taking the following measures:

1. Clean door and sealing surface of the oven.
2. Reorient the receiving antenna of radio or television.
3. Relocate the microwave with respect to the receiver.
4. Move the microwave away from the receiver.
5. Plug the microwave into a different outlet so that microwave and receiver are on different branch circuits.

## GROUNDING INSTRUCTIONS

This appliance must be grounded. This microwave is equipped with a cord having a grounding wire with a grounding plug. It must be plugged into a wall receptacle that is properly installed and grounded. In the event of an electrical short circuit, grounding reduces risk of electric shock by providing an escape wire for the electric current. It is recommended that a separate circuit serving only the microwave be provided. Using a high voltage is dangerous and may result in a fire or other accident causing microwave damage.

**WARNING** Improper use of the grounding plug can result in a risk of electric shock.

### Note

1. If you have any questions about the grounding or electrical instructions, consult a qualified electrician or service person.
2. Neither Vytronix Ltd nor the dealer can accept any liability for damage to the microwave or personal injury resulting from failure to observe the electrical connection procedures.

The wires in this cable main are colored in accordance with the following code:

**Green and Yellow = EARTH**

**Blue = NEUTRAL**

**Brown = LIVE**

## **MICROWAVE COOKING PRINCIPLES**

1. Arrange food carefully. Place thickest areas towards outside of dish.
2. Watch cooking time. Cook for the shortest amount of time indicated and add more as needed. Food severely overcooked can smoke or ignite.
3. Cover foods while cooking. Covers prevent spattering and help foods to cook evenly.
4. Turn foods over once during microwaving to speed cooking of such foods as chicken and hamburgers. Large items like roasts must be turned over at least once.
5. Rearrange foods such as meatballs halfway through cooking both from top to bottom and from the center of the dish to the outside.

## **BEFORE YOU CALL FOR SERVICE**

If the microwave fails to operate:

1. Check to ensure that the microwave is plugged in securely. If it is not, remove the plug from the outlet, wait 10 seconds, and plug it in again securely.
2. Check for a blown fuse or a tripped main circuit breaker. If these seem to be operating properly, test the outlet with another appliance.
3. Check to ensure that the control panel is programmed correctly and that the timer is set.
4. Check to ensure that the door is securely closed engaging the door safety lock system. If it is not, the microwave energy will not flow into the cooking space.

IF NONE OF THE ABOVE RECTIFIES THE SITUATION, THEN PLEASE CONTACT VYTRONIX UK LTD - DO NOT TRY TO MODIFY OR REPAIR THE APPLIANCE YOURSELF.

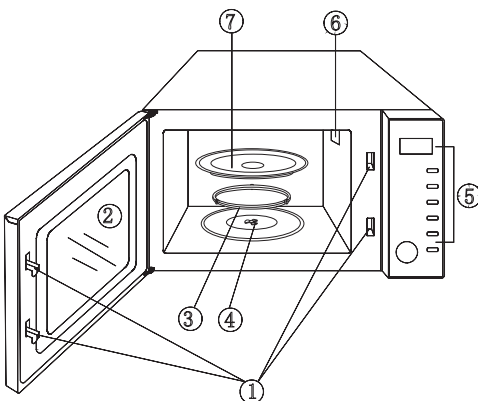
## UTENSILS GUIDE

1. The ideal material for a microwave utensil is transparent to microwave, it allows energy to pass through the container and heat the food.
2. Microwave cannot penetrate metal, so metal utensils or dishes with metallic trim should never be used.
3. Do not use recycled paper products when microwave cooking, as they may contain small metal fragments which may cause sparks and/or fires.
4. Round/oval dishes rather than square/oblong are recommended as food in corners can overcook.

The list below is a general guide to help you select the correct utensils.

Cookware	Microwave
Heat-Resistant Glass	Yes
Non Heat-Resistant Glass	No
Heat-Resistant Ceramics	Yes
Microwave-Safe Plastic Dish	Yes
Kitchen Paper	Yes
Metal Tray	No
Metal Rack	No
Aluminum Foil & Foil Containers	No

## PART NAMES

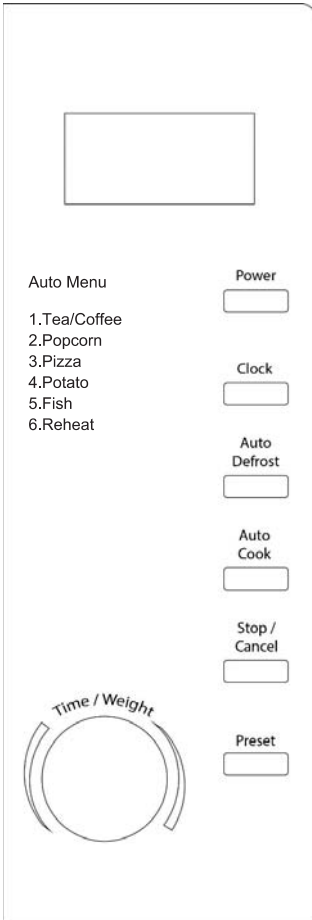


1. Door Safety Lock System
2. Viewing Window
3. Roller Ring
4. Shaft
5. Control Panel
6. Wave Guide (Do not remove)
7. Glass Tray

**UK  
CA**



# CONTROL PANEL



**DISPLAY** - Cooking time, power, indicators and clock time are displayed.

**POWER** - Use to select microwave power level.

**CLOCK** - Use to set the current time.

**AUTO DEFROST** - Use to set defrost program based on weight enter.


**AUTO COOK** - Use to select auto cook menu.

**STOP/CANCEL** - Use to pause a cooking, cancel all settings.

**PRESET** - Use to set preset function.

**TIME/WEIGHT KNOB** - Used to set time, Used to select the weight or amount of food. Can also be pressed to start the microwave or set quick start cooking.

## HOW TO USE THE CONTROLS

- When the microwave first plugged in, beep will sound and the display will show “1:00” and 
- During cooking, if press STOP/CANCEL pad once or open the door, the program will be paused, then press TIME/WEIGHT knob to resume, but if press STOP/CANCEL pad twice, the program will be canceled.
- After ending cooking, the system will sound beeps to remind user every two minutes until user press any pad or open the door.

### Setting The Clock

This is a 12 or 24 hour clock, and you can select it by pressing CLOCK pad.

1. Touch CLOCK pad once or twice to choose 24 or 12 hour clock.
2. Turn TIME/WEIGHT knob to set the hour digit.
3. Touch CLOCK pad to confirm.
4. Turn TIME/WEIGHT knob to set the minute digit.
5. Touch CLOCK pad again to confirm.

**NOTE:** During cooking, the current time can be seen by touching CLOCK pad.

## Microwave Cooking

For microwave cooking, just press POWER button a numbers of time to set cooking power level and then turn TIME/WEIGHT knob to enter cooking time, the longest cooking time you can set is 95 minutes. The oven will start to cook after press TIME/WEIGHT knob.

Press POWER button to choose cooking power level.

Press POWER button	Cooking power
Once	100%
Twice	90%
3 times	80%
4 times	70%
5 times	60%
6 times	50%
7 times	40%
8 times	30%
9 times	20%
10 times	10%
11 times	0%


FOR EXAMPLE, Suppose you want to cook for 5 minute at 60% of microwave power.

1. Touch POWER pad repeatedly to select power level.
2. Turn TIME/WEIGHT knob to enter cooking time. The longest time is 95 minutes. Then press the knob to start.

NOTE: During cooking, the current power level can be seen by touching POWER pad.

### Auto Defrost

The defrosting time and power level are adjusted automatically once the weight is programmed. The range weight of frozen food varies between 100g and 1800g.

1. Touch AUTO DEFROST pad once, the display shows AUTO, 100g, .
2. Turn TIME/WEIGHT knob to select food weight.
3. Press TIME/WEIGHT knob to start.

**NOTE:** During defrosting program, the system will pause and remind user to turn food over, and then press TIME/WEIGHT knob to resume.

### Multistage Cooking

First stage	Microwave cooking	Microwave cooking
Second stage	Microwave cooking	Microwave cooking

Some recipes may require setting a multi-stage program involving two different power levels. The following example shows the steps in setting up such a program.

1. Input the first microwave-cooking program. Do not touch TIME/WEIGHT dial.
2. Input the second microwave-cooking program.
3. Press TIME/WEIGHT knob to start.

**NOTE:** Auto Defrost, Quick Start and Auto Cook cannot be set in the multi-stage cooking program.

## Setting Child Lock

The lock prevents unsupervised operation by children.

- To set the child lock: In standby mode, without any operation within one minute, the microwave will auto enter child lock mode and lock indicator lights. In the lock state, press other pads are invalid.
- To cancel the child lock: In child lock mode, open and close the microwave door can cancel the program and lock indicator disappears.

## Auto Cook

It is not necessary to program the cooking time and power level.

1. Touch AUTO COOK pad repeatedly to select menu code.
2. Turn TIME/WEIGHT knob to select the weight or amount of food.
3. Press TIME/WEIGHT knob to start.

### Auto cook menus:

Code	Menu	
A01	Tea/coffee(200ml/cup)	<ul style="list-style-type: none"><li>● For Tea/coffee and Potato, the display will show number of serving instead of weight of food.</li><li>● The result of auto cooking depends on factors such as fluctuation of voltage, the shape and size of food, your personal preference as to the doneness of certain foods and even how well you happen to place food in the oven. If you find the result at any rate not quite satisfactory, please adjust the cooking a little bit accordingly.</li></ul>
A02	Popcorn(99 g)	
A03	Pizza(g)	
A04	Potato (230g/unit)	
A05	Fish(g)	
A06	Reheat(g)	

## **Preset Function**

Delay start function allows the oven to start up in a later time.

1. Input the cooking program (except quick start and auto defrost).
2. Touch PRESET pad once.
3. Turn TIME/WEIGHT knob to enter the hour digits of preset time when program should start.
4. Touch PRESET pad to confirm.
5. Turn TIME/WEIGHT knob to enter the minute digits.
6. Press TIME/WEIGHT knob.

NOTE: When preset function takes effect, touch PRESET can check the preset time for 3 seconds.

In this three seconds touch STOP/CANCEL to cancel the function.

When clock time reaches default values, system makes a noise and automatically starts cooking.

After the success of the preset set, in addition to query the current appointed time and cancellations function, not for any other operation.

## **CLEANING AND CARE**

1. Turn off the microwave and remove the power plug from the wall socket before cleaning.
2. Keep the inside of the microwave clean using a damp cloth. Mild detergent may be used if the microwave gets very dirty. Avoid the use of spray and other harsh cleaners as they may stain or dull the surface.
3. The outside surfaces should be cleaned with a damp cloth. To prevent damage to the operating parts inside the oven, water should not be allowed to seep into the ventilation openings.
4. Wipe the door and window on both sides, the door seals and adjacent parts frequently with a damp cloth to remove any spills or splatters. Do not use abrasive cleaner.
5. Do not allow the control panel to become wet. Clean with a soft, damp cloth. When cleaning the control panel, leave microwave door open to prevent microwave from accidentally turning on.
6. If steam accumulates inside or around the outside of the microwave door, wipe with a soft cloth. This may occur when the microwave is operated under high humidity condition and it is normal.
7. It is occasionally necessary to remove the glass tray for cleaning. Wash the tray in warm soapy water or in a dishwasher.
8. The roller ring and microwave floor should be cleaned regularly to avoid excessive noise. Simply wipe the bottom surface of the microwave with a damp cloth. The roller ring may be washed in mild soapy water or a dishwasher. Be sure to replace in the proper position.
9. Remove odors from your microwave by combining a cup of water with the juice and skin of one lemon in a deep microwaveable bowl, microwave for 5 minutes. Wipe thoroughly and dry with a soft cloth.
10. When it becomes necessary to replace the microwave light, please consult Vytronix UK Ltd first.
11. The microwave should be cleaned regularly and any food deposits removed. Failure to maintain the microwave in a good condition could lead to deterioration of the surfaces that could adversely affect the life of the appliance and possibly result in a hazardous defects.
12. Please do not dispose of this appliance into the domestic rubbish bin; it should be disposed of via an appropriate disposal center advised by Vytronix UK Ltd.

## **WARRANTY**

To register your warranty please visit [www.vytronix.com](http://www.vytronix.com)  
If you need any assistance with setting up your appliance,  
please email our friendly customer services team: [support@vytronix.com](mailto:support@vytronix.com)



# **vytronix**

**Powerfully simple**

If you need any assistance with setting up your appliance, please

email our friendly customer services team: [support@vytronix.com](mailto:support@vytronix.com)

To register your warranty please visit [www.vytronix.com](http://www.vytronix.com)