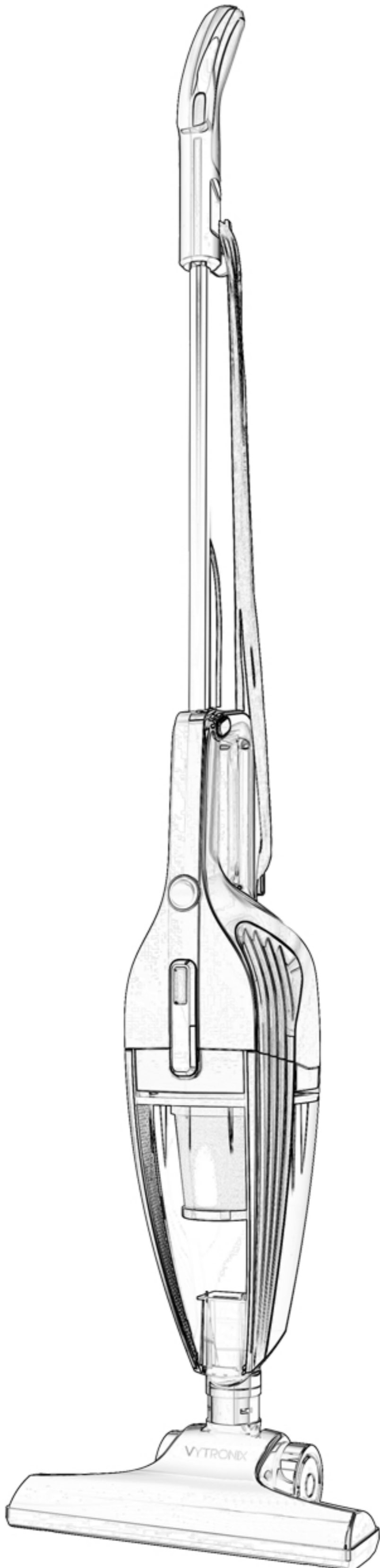


VYTRONIX

CSU600 CORDED 2 IN 1 STICK VACUUM INSTRUCTION MANUAL



www.vytronix.com

For Household Use Only
SAVE THESE INSTRUCTIONS

IMPORTANT SAFETY INSTRUCTIONS

Read all instructions before using your vacuum for the first time

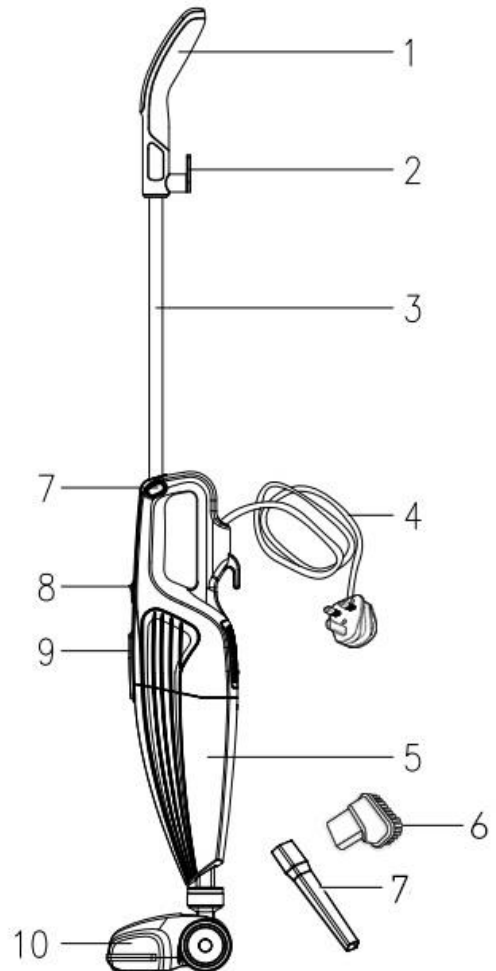
When using your Vytronix, basic safety precautions should always be observed including the following:

1. Use the vacuum only for its intended use.
2. **DO NOT** immerse any part of the appliance in water or other liquids.
3. This appliance can be used by children aged from 8 years and above and persons with reduced physical, sensory or mental capabilities or lack of experience and knowledge only if supervised or given instruction for use of the appliance in a safe way and understand the hazards involved. Children must not play with the appliance.
4. **Never** pull the power cord to disconnect from power supply, instead grasp the plug and pull to disconnect.
5. **Do not** allow cord to touch hot surfaces.
6. **Do not** run the vacuum over its power cord.
7. **Do not** operate the vacuum if the cord or plug appear damaged or defective in any way or if the appliance or any other part of the system has been dropped or damaged.
8. **Do not** disassemble or attempt to electrically repair the vacuum yourself. Contact Vytronix UK Ltd to arrange the unit to be returned for examination.
9. Close supervision is necessary for any appliance being used by or near children.
10. **Do not** leave the appliance unattended while connected to a power outlet.
11. Keep hair, loose clothing, fingers and all parts of body away from openings and moving parts.
12. **Do not** use to pick up any form of liquids.
13. **Do not** pick up anything that is hot, burning or smoking such as cigarettes, matches or hot ashes.
14. Please use extra care when cleaning on stairs.
15. **Do not** use the vacuum without the dust filter in place.
16. This appliance is intended only for household use, not to be used for commercial or industrial cleaning.
17. Unplug the electrical cord before servicing or maintenance.
18. Use only manufacturer's recommended accessories.
19. **Do not** close a door on the cord or pull cord around sharp edges or corners.
20. Turn the vacuum off before unplugging from electrical outlet.
21. **Do not** handle plug or vacuum with wet hands.
22. **Do not** put any objects into openings.
23. **Do not** use with any opening blocked as this will reduce air flow and may cause overheating.
24. Store the appliance indoors in a cool, dry area.
25. Using improper voltage may result in damage to the motor and possible injury to the user. Correct voltage is listed on rating label.
26. This appliance is provided with double insulation. Use only identical replacement parts.

GETTING TO KNOW YOUR VYTRONIX

1. Handle grip
2. Quick release cord hook
3. Handle tube
4. Power cord
5. Dust container
6. Dusting brush (attaches to crevice nozzle)
7. Crevice nozzle
8. Handle release button
9. On/Off Power Switch
10. Dust container release
11. Floor head

Note: Illustrations may differ from actual product.



Operating Instructions

Note: Always remove the power plug from the wall outlet before assembling or disassembling the vacuum.

Inserting the metal handle tube Into the Main Body

- Insert the handle tube into the hole until it clicks firmly into place. (Fig.1)

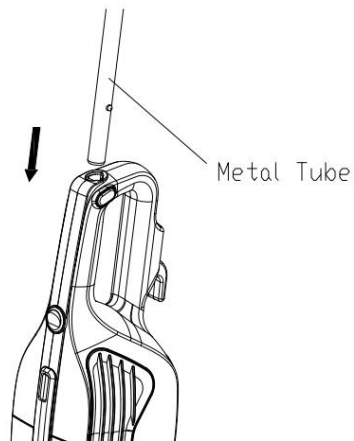


Fig.1

- To remove, push the release button and pull out the metal tube. (Fig.2)

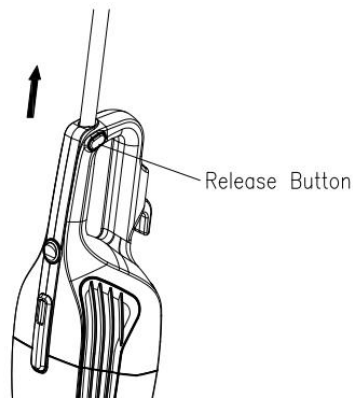


Fig.2

Attaching the floor head or crevice nozzle to the main body

- Push the crevice tool or floor head into the suction hole opening. (Fig. 3)

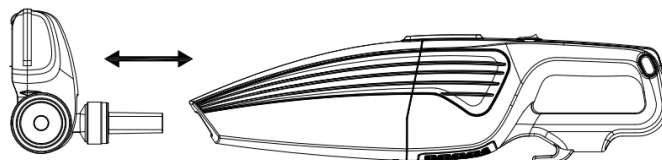


Fig. 3

The following are recommendations for accessory usage:

Crevice Nozzle

For radiators, corners, skirting-boards and between cushions.

Dusting Brush

For more delicate surfaces. (NB: the dusting brush attaches to the crevice tool once installed onto the main body)

Floor Brush

For all types of flooring including carpet, laminate and tiled floors.

Winding & Unwinding the Power Cord

This vacuum cleaner is equipped with a convenient cord storage feature and also has a quick release cord hook.

- Wind power cord around the quick release cord hook and the main body hook. (Fig. 4) To unwind the power cord, simply twist the quick release cord hook to the left or right and the cord will be released.

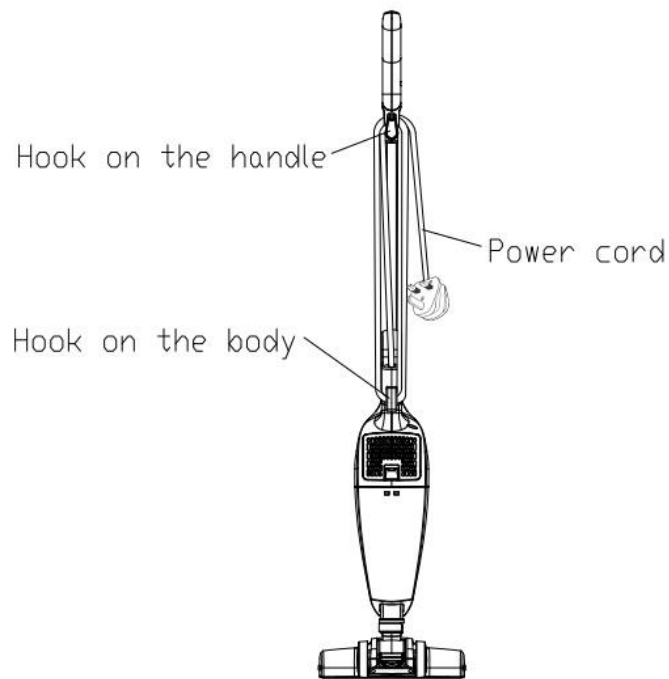


Fig. 4

Operating Instructions

Power switch

- The On/Off power switch has two different positions. (Fig. 5)
- Push on the "I" side to turn the vacuum **ON**.
- Push on the "O" side to turn the vacuum **OFF**.

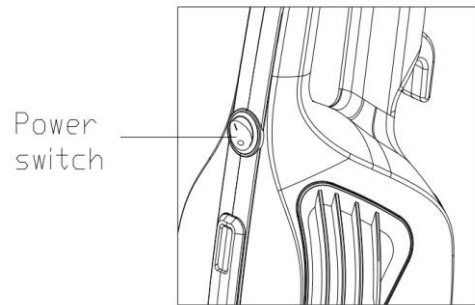


Fig. 5

Using the unit as an upright vacuum:

- Insert the handle tube into the handheld vacuum if required.
- Choose the appropriate accessory (crevice tool or floor head) and attach it to the suction hole opening on the dust container.
- Press the "I" position on the On/Off power switch turn the unit on. When finished using the unit, press the "O" position on the On/Off power switch to turn the unit off.
- When you have finished using the unit, wind the power cord around the cord winding hooks for easy storage.

Using the unit as a handheld vacuum:

- Disconnect the handle tube from the main vacuum by releasing the locking clip and removing.

Note: You may choose to leave the crevice tool or floor brush attached when using as a handheld vacuum, you can use the handheld vacuum without any attachment if preferred.

- Press the "I" position on the On/Off power switch to turn the unit on. When finished using the unit, press the "O" position on the On/Off power switch to turn the unit off.

Cleaning & Changing the Dust Filter

Changing and cleaning the dust filter

In order to achieve the best performance, empty the dust container and clean the filter after each use.

1. To remove the dust container, press down on the dust container release button (Fig. 6) and separate the dust container from the main unit. (Fig. 7)

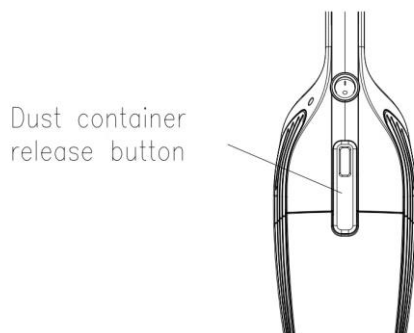


Fig. 6

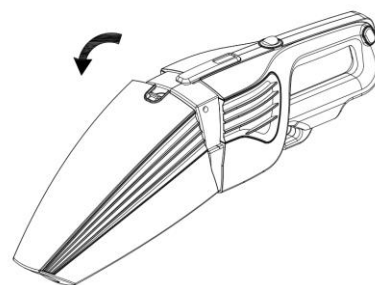


Fig. 7

2. Pull out the dust filter. (Fig. 8)

Dust filter

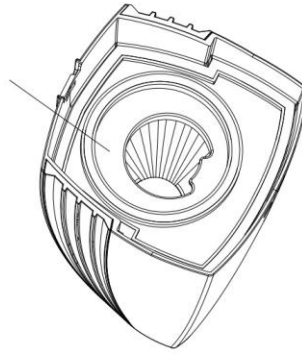


Fig. 8

3. Empty the dust from the dust container.
4. Rinse the filter in cold water, and then let it air dry for **24 hours** before replacing it back in the dust container.

Important Note: DO NOT use a washing machine to clean the dust filter. Do not use a hair dryer or heater to dry it. AIR DRY ONLY.

5. Replace the dust filter carefully into the dust container. **NEVER operate the vacuum without the filter in place.**
6. Attach the dust container to the main body of the unit.

Note: It is recommended that the dust filter be replaced every three (3 - 6) months (depending on usage) to ensure peak performance of the unit.

Cleaning and changing the exhaust filter

1. To clean or replace the exhaust filter, press down the release button on exhaust board. (Fig. 9)
2. Take out the exhaust filter. (Fig. 10)
3. Clean or replace the filter.

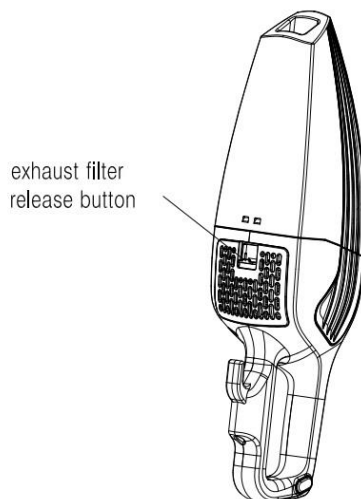


Fig. 9

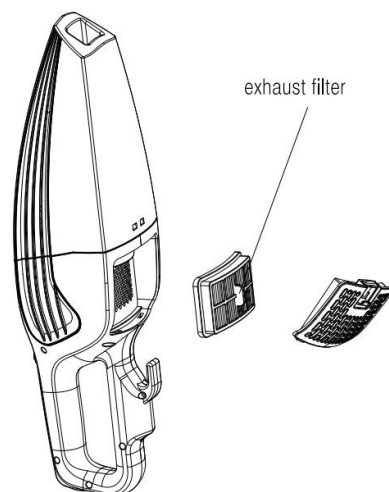


Fig. 10

Troubleshooting

| TROUBLESHOOTING GUIDE | | |
|---|---|---|
| PROBLEM | POSSIBLE REASON | POSSIBLE SOLUTION |
| VACUUM WILL NOT OPERATE | 1. No power in electrical outlet. | 1. Check fuse or breaker. Replace fuse/reset breaker. |
| VACUUM WILL NOT PICK-UP OR SUCTION IS WEAK | 1. Dust container is full. 2. Dust filter needs cleaning or replacement. | 1. Empty dust container 2. Remove dust filter and check for blockages. Clean or replace dust filter. |
| DUST ESCAPING FROM VACUUM | 1. Dust container is full. 2. Dust filter is not installed correctly. 3. Dust filter is punctured/torn. | 1. Empty dust container. 2. Review dust filter installation instructions. 3. Replace dust filter. |

Ordering Replacement Dust Filters

Please Note:

The dust filter is washable. It should, however, be replaced every three (3 - 6) months depending on usage to ensure peak performance of your vacuum.


Important:

Make sure that **ALL** filters are completely dry before re-installing back in the vacuum.

Warranty Registration

To register your free one year Vytronix guarantee visit www.vytronix.com using product code:
brandnew-vytronix-csu600

Safe Disposal

| | |
|---|--|
|  | <p>This marking indicates that this product should not be disposed with other household wastes throughout the EU. To prevent possible harm to the environment or human health from uncontrolled waste disposal, recycle it responsibly to promote the sustainable reuse of material resources. To arrange safe disposal of your used device, please use the return and collection systems or contact the retailer where the product was purchased.</p> |
|---|--|

VYTRONIX

Register your warranty at www.vytronix.com