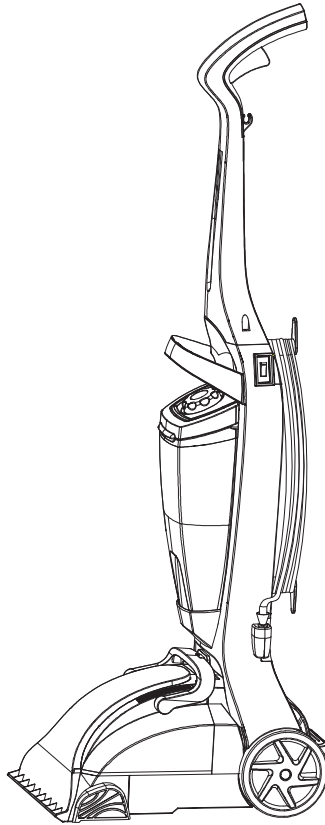


VYTRONIX

P800CW CARPET WASHER INSTRUCTION MANUAL



www.vytronix.com

BLANK PAGE

IMPORTANT SAFETY INSTRUCTIONS

READ CAREFULLY AND KEEP FOR FUTURE REFERENCE

Carefully read this manual before using this appliance.

Ensure that you know how the appliance functions and how to operate it.

Maintain the appliance in accordance with the instructions to ensure that it functions properly.

Keep this manual with the appliance. If the appliance is to be used by a third party, this instruction manual must be supplied with it.

The appliance is not designed for use by children.

This appliance is designed for domestic use only. Do not use outdoors.

Keep the appliance and cable away from heat sources.

Do not pull by the cord to unplug, hold the plug to separate the adaptor from the mains.

Do not leave the appliance unattended when it is switched on.

The safety instructions do not by themselves eliminate any danger completely and proper accident prevention measures must always be used.

No liability can be accepted for any damage caused by non-compliance with these instructions or any other improper use or mishandling.

Do not use this appliance if it has been dropped, damaged or if the plug or supply cord is damaged.

PACKAGE CONTENTS

1x Carpet Washer

1x Handle

2x Screws

1x Instruction Manual

Confirm all parts before disposing of carton. Ensure all plastic bags and other packaging components are kept away from children and disposed of safely.

TECHNICAL SPECIFICATION

Power: 220-240V ~ 50/60Hz

Wattage: 800 Watts



GENERAL AND ELECTRICAL SAFETY

Do not use this appliance for any use other than its intended purpose

When using electric appliances always observe safety regulations where applicable to reduce the risk of fire, electric shock, and personal injury. Always check that the power supply corresponds to the voltage on the rating plate. Always unplug the appliance when not in use.

SUPPLY CORD AND PLUG

Always unplug from mains supply when not in use. Do not handle the plug or cord with wet hands. Do not abuse or damage the power cord. If the supply cord is damaged contact Vytronix support in order to avoid a hazard. Do not let the supply cord touch hot surfaces.

GENERAL USE

This appliance is not intended for use by persons (including children) with reduced physical, sensory or mental capabilities, or lack of experience and knowledge, unless they have been given supervision or instruction concerning use of the appliance by a person responsible for their safety. Children must be supervised to ensure they do not play with the appliance.



WATER

Do not immerse appliance in water. Do not handle the plug or appliance with wet hands. Only use the appliance on wet surfaces when cleaning them. Do not use the appliance if it has been exposed to rain. Do not use to pick up flammable or combustible liquids such as petrol or use in areas where they may be present.



DOUBLE INSULATION SAFETY

This appliance is double insulated for your protection. Do not attempt to repair a double insulated appliance.

USE AND ENVIRONMENT

Do not use outdoors. Do not use this appliance for anything other than its intended use. Use only Vytronix recommended attachments. Do not use without the tank in place.

Do not use with any opening or outlet blocked. Keep free of dust, lint, hair and anything that may reduce airflow.

Keep hair, loose clothing, and fingers away from openings and moving parts.

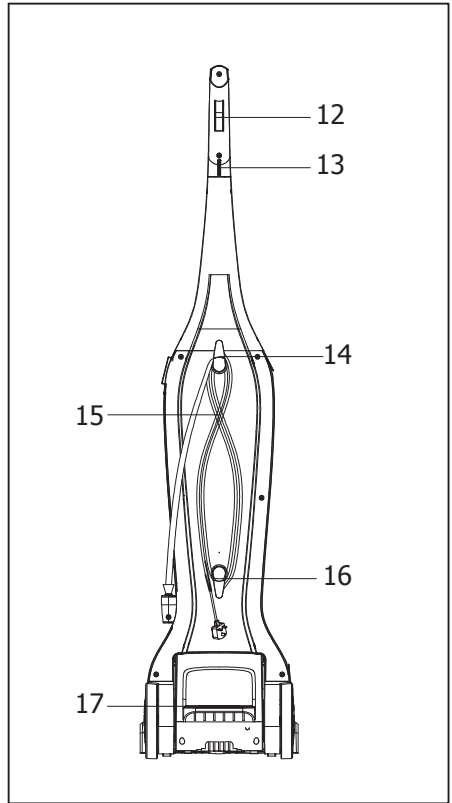
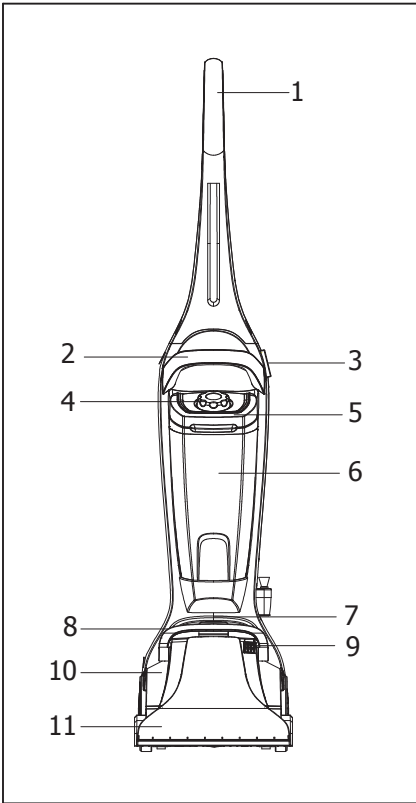
Do not use to pick up flammable or toxic liquids, such as gasoline, chlorine bleach or drain cleaner, or use in areas where they may be present.

Do not pick up anything that is burning or smoking including hot ashes.

DAMAGE

Always inspect your appliance before use. Check parts are correctly attached. Do not use this appliance if it has been damaged, dropped, left outdoors, or dropped in water. Contact Vytronix support for advice and assistance.

CONTENTS



- 1. Handle
- 2. Carry Handle
- 3. On / Off Switch
- 4. Clean Water Tank Cap
- 5. Clean Water Tank Release Handle
- 6. Clean Water Tank
- 7. Dirty Water Tank Locking Latch
- 8. Dirty Water Tank Handle
- 9. Exhaust Filter

- 10. Dirty Water Tank
- 11. Brush Bar
- 12. Clean Water Release Trigger
- 13. Power Cord Tidy
- 14. Power Cord Holder Upper
- 15. Power Cord
- 16. Power Cord Holder Lower
- 17. Recline pedal

ASSEMBLY

NOTE: Do not plug the power cord into an electrical outlet until the machine is fully assembled.

1. Carefully unpack all components and set aside the packaging.
2. Lift the carpet washer to the upright position.
3. Align the handle with the groove and insert onto body. If necessary, use thumb and finger pressure to slide handle into position.
4. Secure the handle to the body with the two screws supplied (Fig.1)

CAUTION: *Do not over tighten. Over tightening could strip the screw holes. Do not operate the appliance without the handle screws in place.*

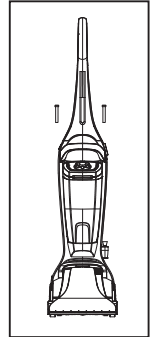


Fig.1

CARPET PREPARATION

IMPORTANT: Do not use the carpet washer as a dry vacuum.

1. Before use - Vacuum your carpet thoroughly.
2. Remove as much furniture from the room as possible. If unable to remove the furniture, place plastic or foil under and around.
3. Determine where to start and end to prevent walking on the carpet whilst it is wet.

HELPFUL HINTS FOR CLEANING CARPET:

1. Use only Vytronix Carpet Shampoo with this appliance.
2. Do not over saturate the carpet with the shampoo while using the carpet washer.
3. For heavily soiled areas, additional applications may be necessary.
4. Allow plenty of time to dry the carpet thoroughly. Increased air circulation (open doors, turn on fans, etc.) or use of a dehumidifier will help carpet dry thoroughly and prevent the growth of mould or mildew.
5. Try not to walk on the carpet until after the carpet is thoroughly dry
6. For best cleaning results use a steady, moderate, forwards and backward motion
7. Always ensure the carpet is vacuumed prior to washing and again once it is dry.

! CHECK FOR COLOUR FASTNESS:

Before cleaning the carpet, we recommend testing for colour fastness. Dampen a white cloth with shampoo and test a small area in an unseen area. Gently rub the cloth over the area. Check each colour for colour bleeding.

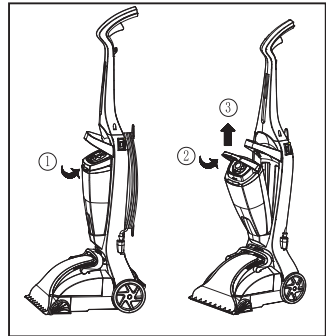
AFTER CLEANING:

Allow the carpet to dry completely. Try not to walk on the carpet until it is dry. If it is necessary to walk on the carpet, place white towels on the areas to be walked on. If the carpet is not dry and the furniture must be placed back in the room, use plastic or foil under the furniture to prevent staining/marketing the carpet. Thoroughly clean the dirty water tank with warm (max 40°C) tap water.

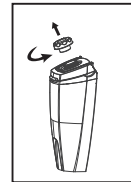
OPERATION

OPERATING INSTRUCTIONS

1. Hold the clean water tank and lift the water tank release handle upwards. Tilt the water tank away from the carpet washer and remove.

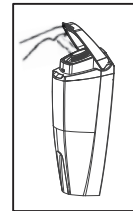


2. Unscrew the tank cap and add clean warm water (max temperature 40°C).
3. Follow the instructions on the cleaning shampoo to measure the correct volume of shampoo to add to the water.



IMPORTANT: Excessive volumes of shampoo will cause foaming on the carpet and can prevent the machine from working effectively

4. Replace the tank cap.
5. Place clean water tank back into original position and press down release handle for security.



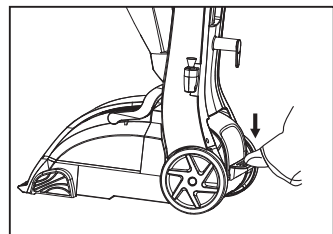
CAUTION: *Do not use the carpet washer without the clean water tank in position*

CARPET CLEANER USE

1. Plug cord into the electrical socket. Turn on the machine by using the on/off switch located on the side of the machine.

IMPORTANT: Never leave appliance unattended with power on. Turn off when emptying and filling tanks. Do not over-saturate the carpet.

2. Step on the recline pedal to lower the machine into the cleaning position. While pressing the trigger, push the unit forward in a straight path to release the water. Release the trigger and pull carpet washer in a backward motion to agitate and remove dirty water and shampoo from the carpet. (For heavily soiled areas, repeat if necessary)

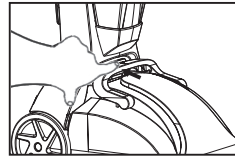


EMPTYING THE DIRTY WATER TANK

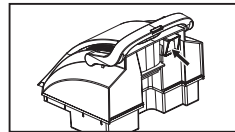
An automatic shut-off device prevents the extractor from picking up more dirty water than it can hold in the dirty water tank. You will know the tank needs to be emptied:

- When the motor sound rises in pitch.
- You do not see dirty solution coming up through the recovery tank lid.

1. Unplug the appliance from the electrical outlet.
2. Unlock by lifting the dirty water tank latch and remove from the base unit using the handle



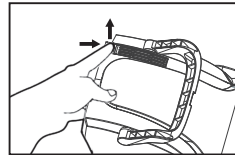
3. Empty, rinse and replace the dirty water tank.



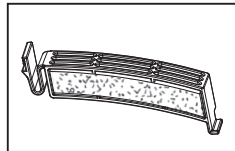
4. Check the motor filter as below.

MAINTENANCE OF FILTERS

1. Always disconnect from the power supply when not in use. Always empty and rinse out both the clean and the dirty water tank after use. Remember to refit the tank cap to the clean water tank.

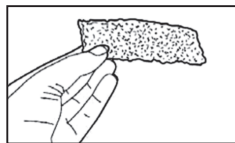


2. Remove the exhaust filter rinse with warm water and allow it to dry thoroughly before storing.



IMPORTANT: Do not use chemicals when cleaning this filter. Always clean after each use.

3. Always ensure both tanks are fully dry before storage.



APPLIANCE MAINTENANCE

Regular maintenance of your appliance will keep it safe and in proper operational order.

BEFORE CLEANING

When not in use always disconnect the appliance from the mains supply.

Never immerse the motor unit in water or any other fluid.

CLEANING

- Regularly clean the outside of the appliance with a soft damp cloth and dry it with a dry towel.
- Do not use any chemicals to clean the appliance.
- Do not store the cleaner with any water or shampoo in either tank. Mineral deposits and mildew can form which will affect the performance of the carpet washer.
- After cleaning, let the tanks dry and then store your appliance and all its accessories and instruction manual in a safe and dry place.

TROUBLESHOOTING

PROBLEM	SOLUTION
No power to the appliance	<ol style="list-style-type: none">1. Check electrical plug2. Check the fuse3. Check the power supply – try using the appliance in another socket
Low suction / suction reducing	<ol style="list-style-type: none">1. Empty the dirty water tank; it may be full and the automatic shut-off has engaged.2. Make sure the dirty water tank is properly installed.3. Clean the motor filter regularly during use to prevent any build up of carpet fibres or debris. This filter is designed to trap them but MUST be kept clean.
Cleaning shampoo not dispensing	<ol style="list-style-type: none">1. Make sure clean water tank is fully inserted and securely in place.2. Ensure there is sufficient clean water and there is not a higher volume of shampoo causing over-foaming inside the tank.

Warranty Registration

To register you free one year Vytronix warranty visit www.vytronix.com using product code:

brandnew-vytronix-p800cw

Safe Disposal



This marking indicates that this product should not be disposed with other household waste throughout the EU. To prevent possible harm to the environment or human health from uncontrolled waste disposal, recycle it responsibly to promote the sustainable reuse of material resources. To arrange safe disposal of your used device, please use the return and collection systems or contact the retailer where the product was purchased.

VYTRONIX

If you have any queries or require assistance with using your product including set up, troubleshooting or registration please telephone our freephone customer services line on 0800 121 4034

Register your warranty at www.vytronix.com