

# VYTRONIX

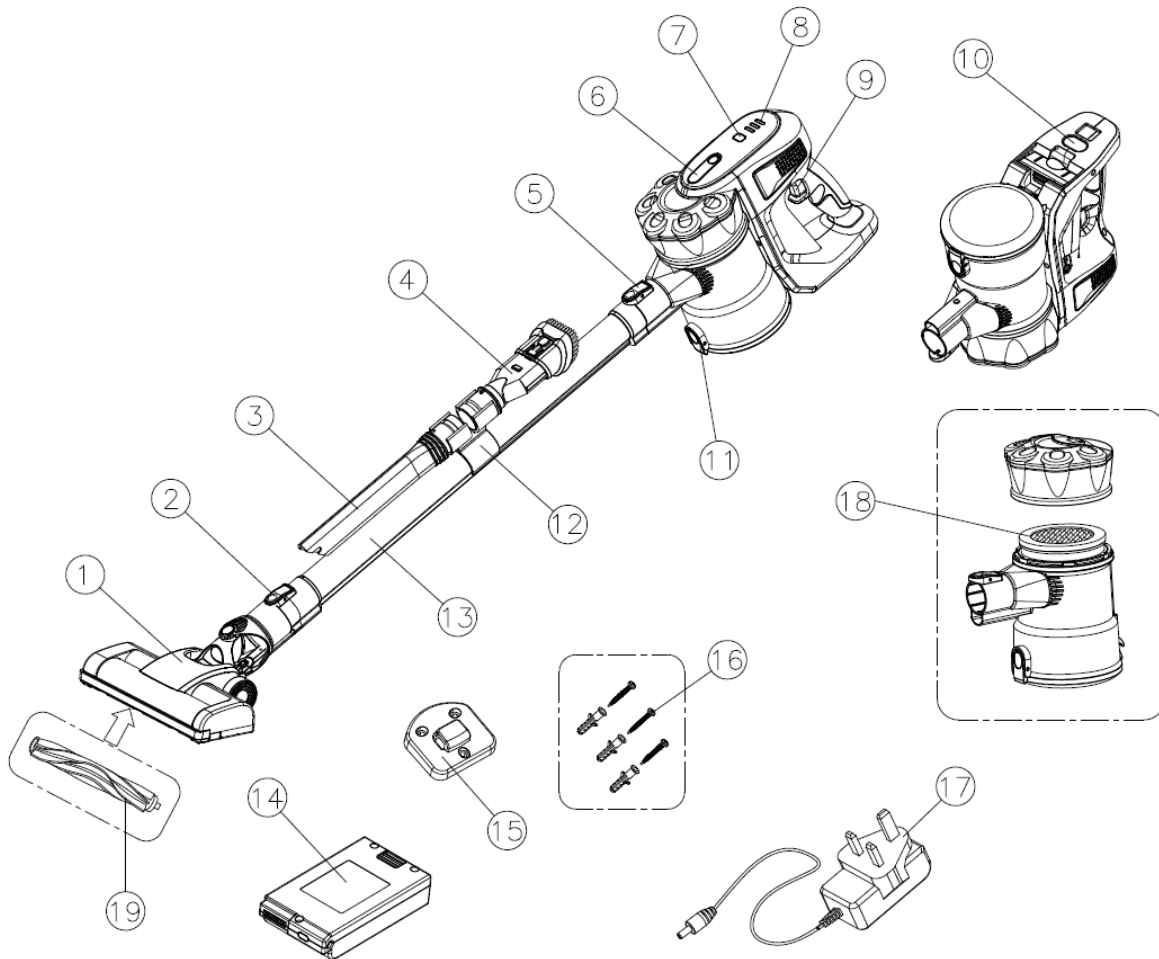
BUILT FOR EVERYDAY

## NIBC22 Cordless 3 in 1 Vacuum INSTRUCTION MANUAL



[www.vytronix.com](http://www.vytronix.com)

BLANK PAGE



- |                                      |                                    |
|--------------------------------------|------------------------------------|
| 1. Floor head                        | 11. Dust container emptying button |
| 2. Floor head release button         | 12. Accessory storage hook         |
| 3. Crevice nozzle                    | 13. Extension wand                 |
| 4. 2-in-1 Upholstery & Dusting brush | 14. Battery pack                   |
| 5. Extension wand release button     | 15. Wall mount                     |
| 6. Dust container release button     | 16. Wall mount screws              |
| 7. ECO button                        | 17. Charger                        |
| 8. Battery level Indicator lights    | 18. Dust filter                    |
| 9. ON/OFF button                     | 19. Brush roller                   |
| 10. Battery pack release button      |                                    |

## IMPORTANT SAFETY INSTRUCTIONS

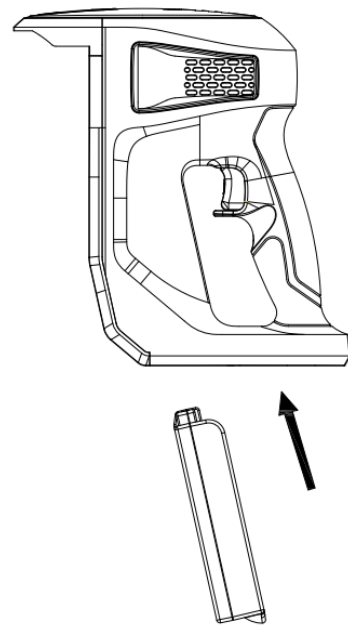
**⚠ WARNING**-to reduce the risk of fire, electric shock, injury  
PLEASE READ ALL INSTRUCTIONS BEFORE USING THIS VACUUM.

1. Never charge the battery or appliance for extended periods. Always unplug before servicing.
2. For indoor use only.
3. Do not use this vacuum cleaner if the charger or battery are damaged.
4. Do not use this product without the dust container and filter in place.
5. Do not handle the plug, charger or appliance with wet hands.
6. Do not operate this vacuum for extended periods of time near heat sources such as fire, radiators, lit cigarettes etc.
7. This product features a thermal safety auto shut-off device. If the vacuum overheats, the power will instantly be stopped. In this event, the device should be switched off, and left to cool completely.
8. Ensure that all vents and openings are kept clear of dust, lint, hair and anything that may reduce airflow. It may cause the product to overheat.
9. Ensure that hair, loose clothing, fingers and all parts of body are kept away from the openings and moving parts of the vacuum.
10. This product uses a lithium-ion battery. Waste batteries should be recycled safely where possible.
11. The appliance is to be used only with the battery provided.
12. Store battery away from high temperatures.
13. Do not try to open the battery under any circumstances.
14. This battery is a sealed unit and under normal circumstances poses no safety concern. In the unlikely event that acid liquid leaks from the battery, ensure that liquid stays away from skin and eyes.
  - If liquid does come into contact with skin, Rinse with clean, fresh water and seek medical advice.
  - If liquid does come into contact with eyes, rinse with clean fresh water and seek medical attention immediately.
15. Extra care must be taken when cleaning on the stairs.
16. Ensure the appliance is turned off before connecting any accessories.
17. This appliance should not be used on liquids or wet surfaces.
18. Do not pick up burning or smoking items, such as cigarettes, matches or hot ashes.
19. Do not leave this product under direct sunlight for extended periods.
20. This vacuum cleaner is not intended for use by children or persons with reduced physical and capabilities. Unless they are under supervision.
21. If the appliance needs repairing, please contact Vytronix Ltd

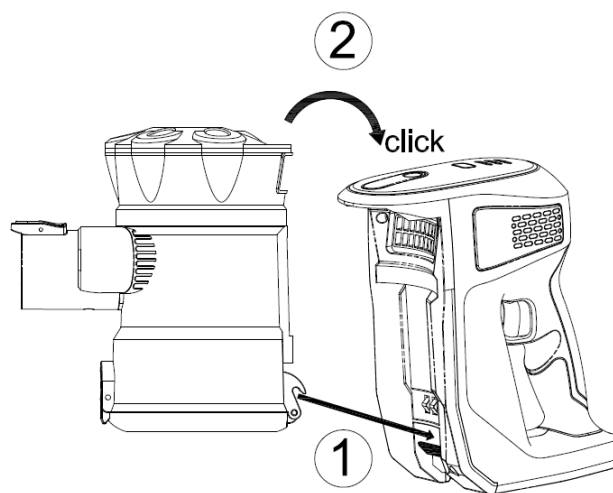
## ASSEMBLY INSTRUCTIONS

Assembling the main body:

Install the battery into the housing by sliding it into the appropriate slot. It will "click" into place.



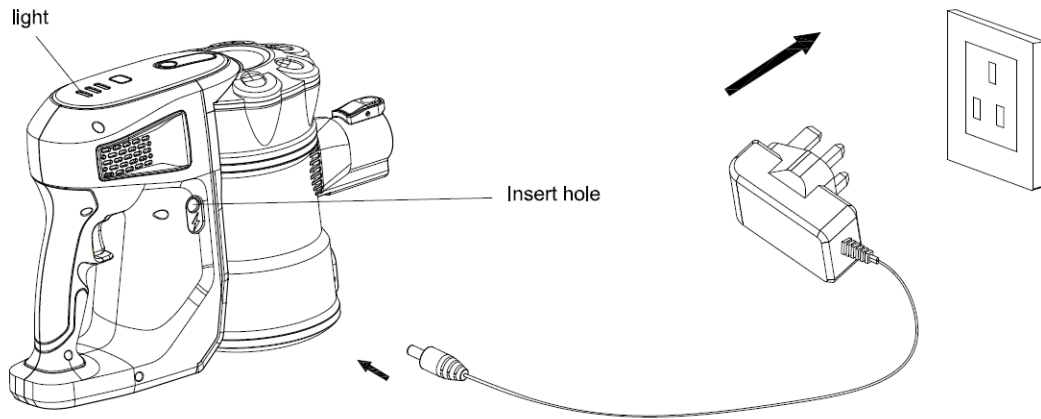
2. Install the dust container by inserting the clip at the base of the container as indicated below, then push the top part of the canister back into the upper body. It will "click" into place.



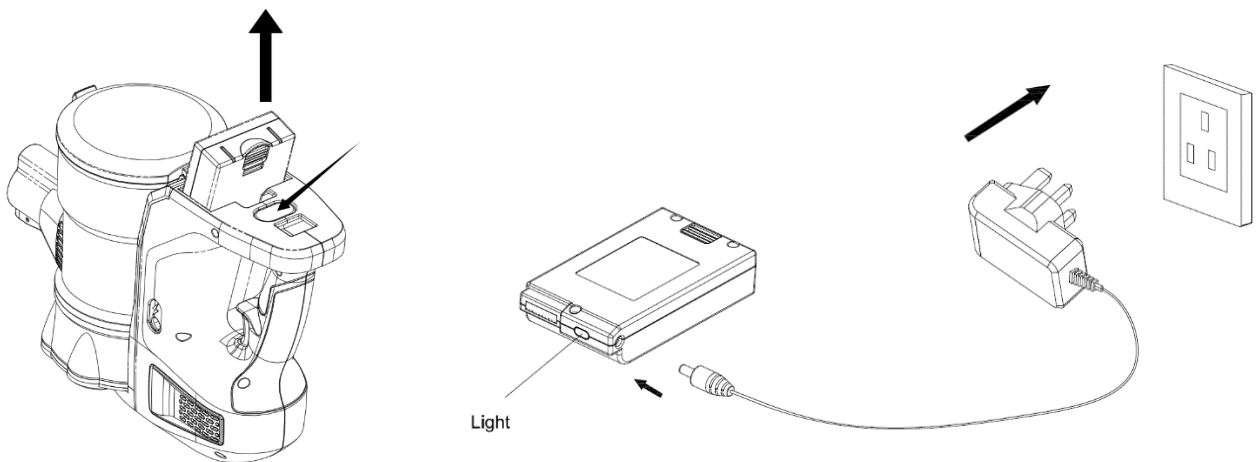


## BEFORE FIRST USE

With the battery in place, plug the cable into the power inlet hole located on the side of the battery. When charging, the blue battery indicator lights on the top of the main body will flash. As the battery becomes more charged, the lights will remain solidly on. When all 3 lights have stopped flashing and are solid blue, the battery is fully charged. Once fully charged, turn off the charger and unplug from the power socket.



The battery can also be charged out of the main body by plugging the charger directly into the power inlet hole located on the side of the battery as pictured below.



**NOTE:** In the event of a maintenance issue with the product such as a jammed brush roller, all three BLUE indicator lights will flash on and off and the cleaner will cut out. At this stage, check what may have caused the issue.

Ensure that the air vent, floor head, suction pipe and internal filter are free from blockages. Should they be clogged, clear the blockage before attempting to use the vacuum again.

Remove any sharp or large objects from the system as these may damage the appliance irreparably.

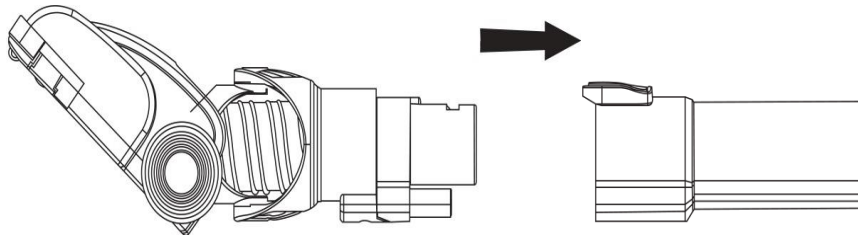
The blue lights will all go out and once the issue has been resolved the vacuum can be restarted.

## ACCESSORIES

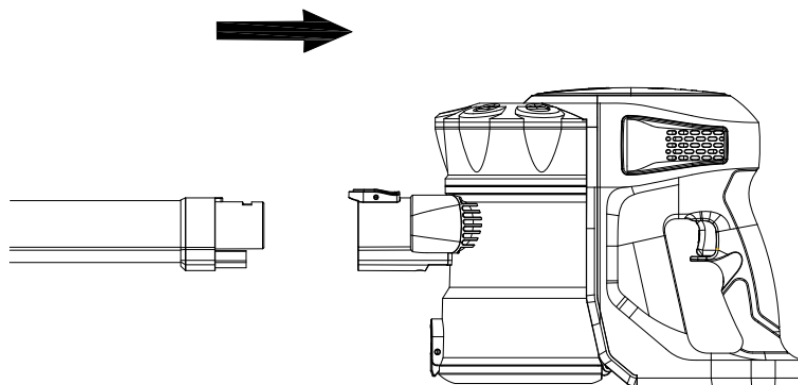
1. Extension Wand: Use for extended reach when using as an upright unit or for those hard to reach places.
2. Motorized Floor Head: Use this for hard floors and carpets. Easily picking up dirt dust and small debris.
3. 2-in-1 Upholstery & Dusting Brush: Use this for vacuuming fabric furnishings such as sofas armchairs and curtains.
4. Crevice nozzle: Features a narrow nozzle that makes quick work of vacuuming tight spaces such as corners and hard to reach areas.

Assembling the motorized floor head:

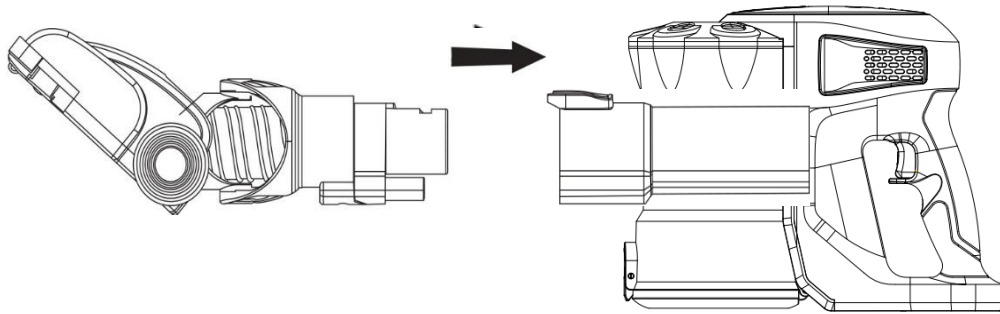
1. Insert the connector of the motorized floor head into the base of the wand by clicking it into place.



2. Attach the floor head and wand to the main body by slotting it into place via the dust inlet as shown below

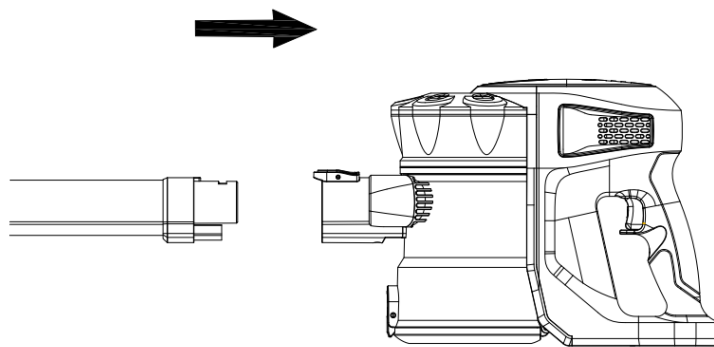


3. If using the floor head without the wand, simply attach it to the main body via the dust inlet. It will "click" when secure.

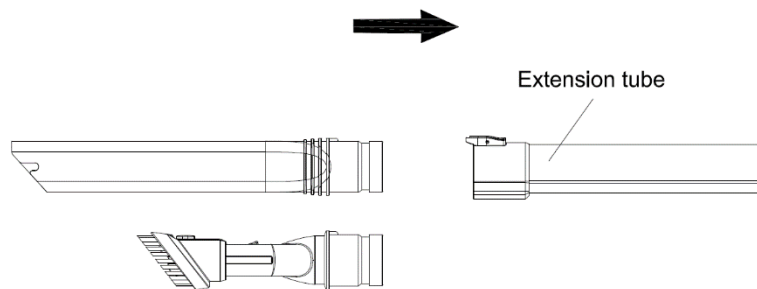


Assembling accessories:

1. Attach the extension wand to the main body by slotting it into place via the dust inlet.

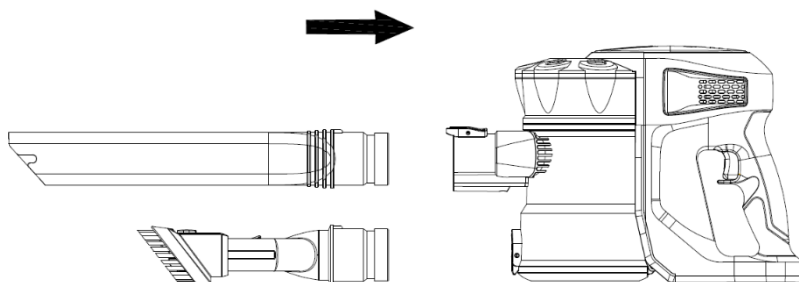


2. Attach the crevice nozzle or dusting brush to the base of the extension wand via the connector. It will "click" into place.





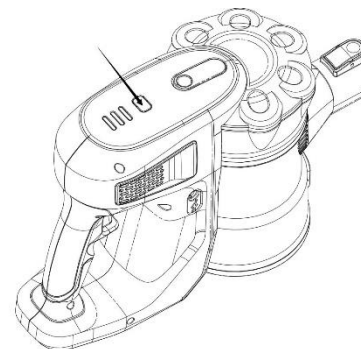
3. If using accessories without the wand, simply attach them to the main body via the dust inlet. It will "click" when secure



## OPERATING THE VACUUM

**CAUTION:** The vacuum must be fully charged before using for the first time.

1. Remove the vacuum cleaner from the wall mount.
2. If using as a handheld unit, remove the extension wand and attach the desired accessory.
3. Use the Power ON/OFF button to turn on the appliance.
4. To extend the run time, press the ECO button located on the top of the main body. Please note that using the product in ECO mode will reduce the suction power to conserve energy.

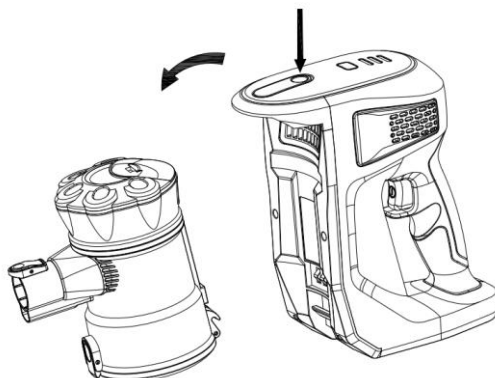


To turn off the vacuum, press the Power ON/OFF button again.

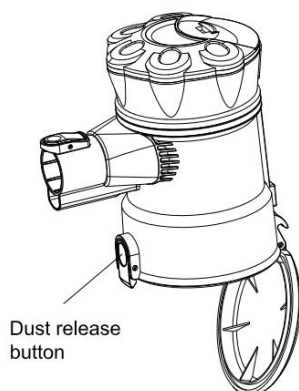
## MAINTAINING THE VACUUM

Cleaning the dust container:

1. Press the dust container release button to take the dust container out.

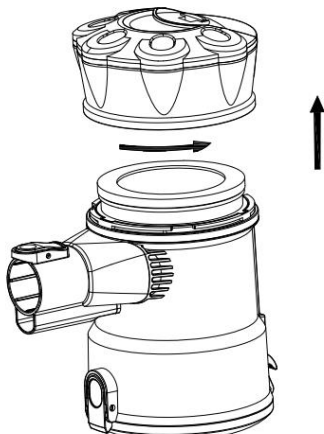


2. Press the dust release button to open the bottom cover and expel trash. Wipe to clean the dust container, do not immerse in water.

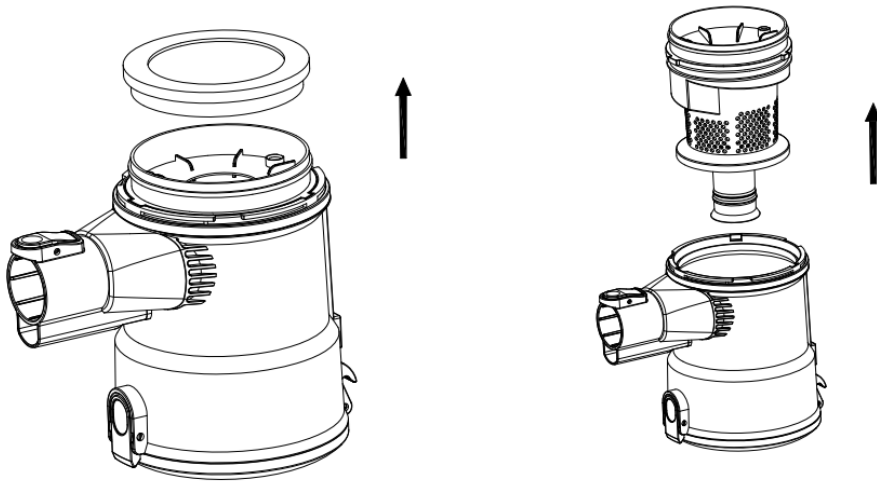


Cleaning the filter:

1. Remove the dust container from the main body.
2. Twist counterclockwise to remove the filter cover.



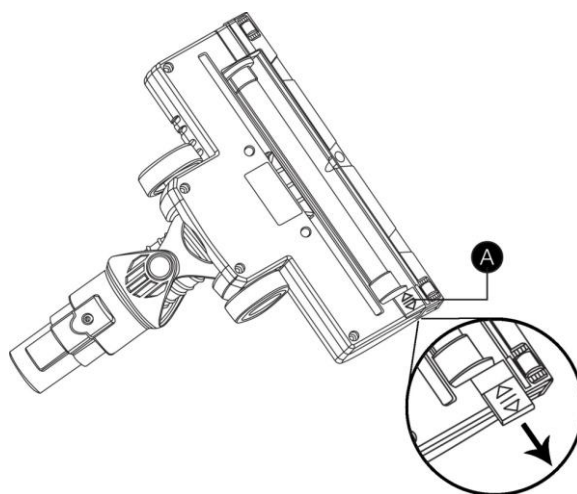
3. Lift to remove the sponge filter and high-efficient filter.



4. If the filter is heavily soiled, rinse the filter thoroughly under the running cold water. Do not use soap or other cleaning solvents.
5. COMPLETELY air dry the filters for 24 hours before reassembling. Do not use hair dryer or tumble dryer to dry the filter as this may cause the filter to warp.

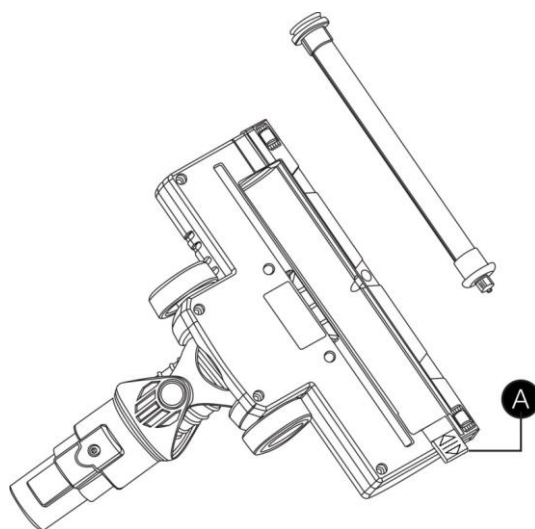
Cleaning the brush roll:

Remove the brush roller from the brush housing. Slide the brush roller fastener (A) away from the brush as below.



Carefully clean and remove the hairs and debris from the brush roller. Wipe to clean only, do not use any soap or harsh cleaning solvents.

If brush roller becomes damp, allow to dry naturally before replacing. Slide fastener (A) to original position to secure the brush roller.



## TROUBLESHOOTING

### **The appliance will not power on:**

This may be caused by a flat battery. This can occur if the appliance has been used or stored for an extended period. Connect the vacuum to the charger and allow for a full charging cycle to complete. If the battery is flat, one single blue light will flash to indicate this.

### **The vacuum stopped suddenly:**

This will occur if the safety cut-out device has been activated. This device is designed to prevent your appliance from overheating. Ensure the vacuum is turned off, disconnect all accessories and leave to cool down for at least half an hour before attempting to operate again.

Empty the dust container and clean or replace the filter.

### **The suction of the vacuum has reduced:**

Check that the appliance has not been set to ECO mode by pressing the ECO button located on top of the main body while the product is powered on.

If the problem persists, turn the vacuum off. Disconnect the floor head, extension wand and any accessories. Check for and remove any blockages from the dustbin filter, air vent, extension wand, floor head and accessories. If filter is heavily soiled, clean as per filter maintenance instructions.

### **Motorised floor head is not rotating:**

This tends to occur when there are too many fibres wrapped around the brush roll restricting movement or if something has become lodged or jammed within the floor head / brush roll. Consult the cleaning the brush section of this manual for instructions on how to appropriately clean the brush roll. Remove the brush and check the blue charging lights do not flash.

### **The blue charging indicator lights do not flash:**

There may be no power reaching the vacuum from the charger.

Ensure that power is being supplied to the mains socket and that the charger is turned on. Ensure the charging cable is securely connected to the vacuum

Ensure the mains socket is switched off before checking the charging cable itself. Do not attempt to use if the cable is split, frayed or otherwise damaged - instead, contact the manufacturer.

### **The run time of the vacuum is less than it used to be:**

Ensure the battery has completed a full charging cycle. An insufficient charging cycle will result in reduced application time.

There may be reduced energy discharge in the battery. This is normal and gradually occurs in all batteries over time.

## SPECIFICATIONS

Input Voltage	100-240V 50/60Hz
Operating Voltage	22.2V
Operating Power	200W
Floor Brush Power	12W
Battery Capacity	2200mAh
Charging Time	3-4 hours
Dust Cup Capacity	0.5L
Product size	1100*235*220mm
Net Weight	1.6kgs

## WARRANTY REGISTRATION

To register your free one-year Vytronix warranty visit [www.vytronix.com](http://www.vytronix.com) using product code:

*brandnew-vytronix-nibc22*

## SAFE DISPOSAL

This marking indicates that this product should not be disposed of with other household waste throughout the EU. To prevent possible harm to the environment or human health from uncontrolled waste disposal, recycle it responsibly to promote the sustainable reuse of material resources. To arrange safe disposal of your used device, please use the return and collection systems or contact the retailer where the product was purchased.





BLANK PAGE

# VYTRONIX

Register your warranty at [www.vytronix.com](http://www.vytronix.com)