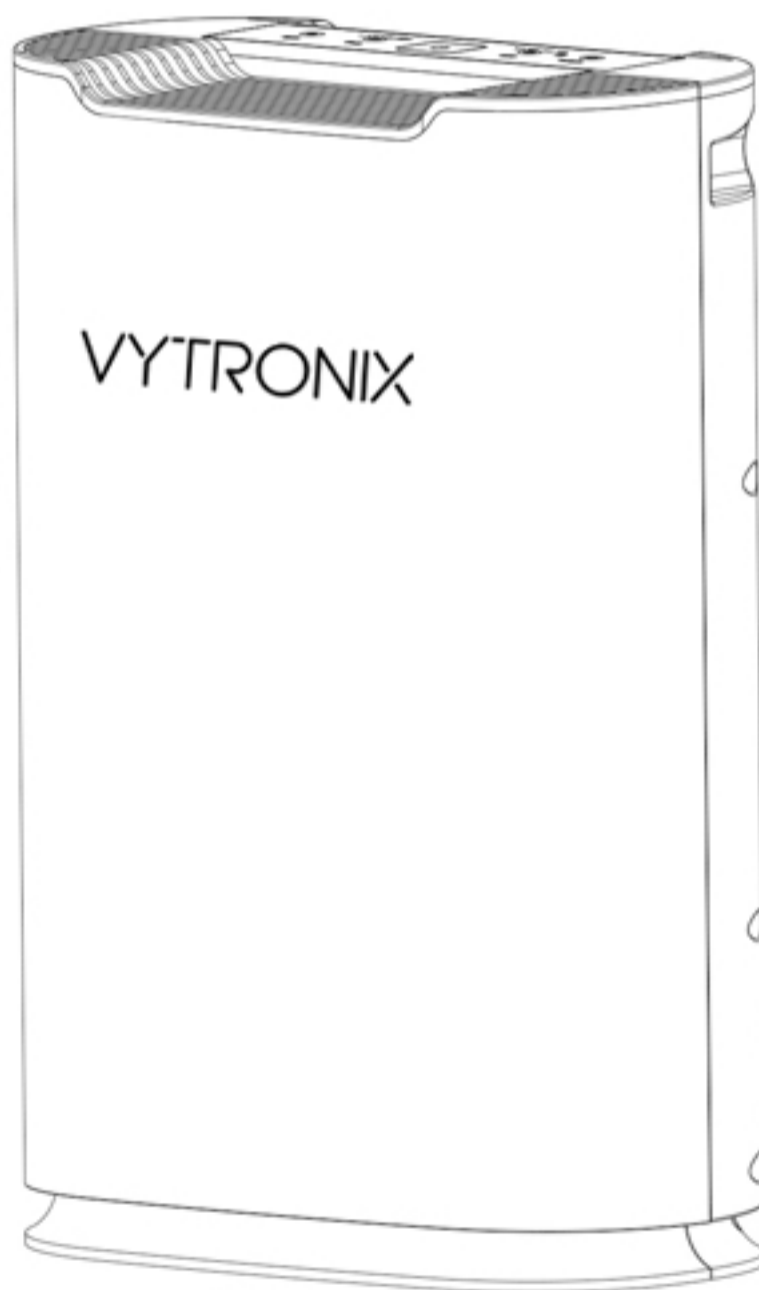


VYTRONIX

VAP55 AIR PURIFIER INSTRUCTION MANUAL



BLANK PAGE

PLEASE READ BEFORE OPERATING

WARNING: To reduce the risk of fire or electrical shock, do not use the air purifier if the power cord or plug is wet or damaged at all.

CAUTION: Read and follow all instructions before operating this appliance.

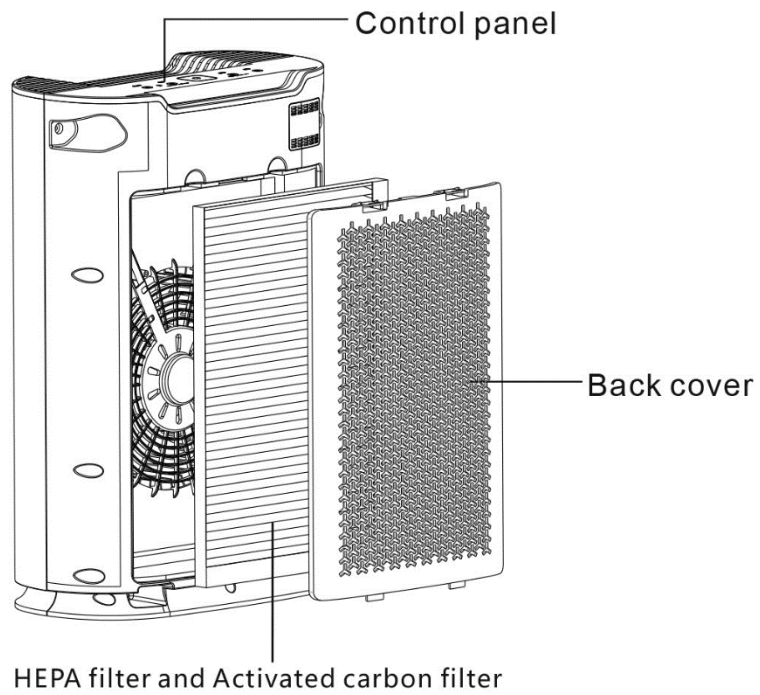
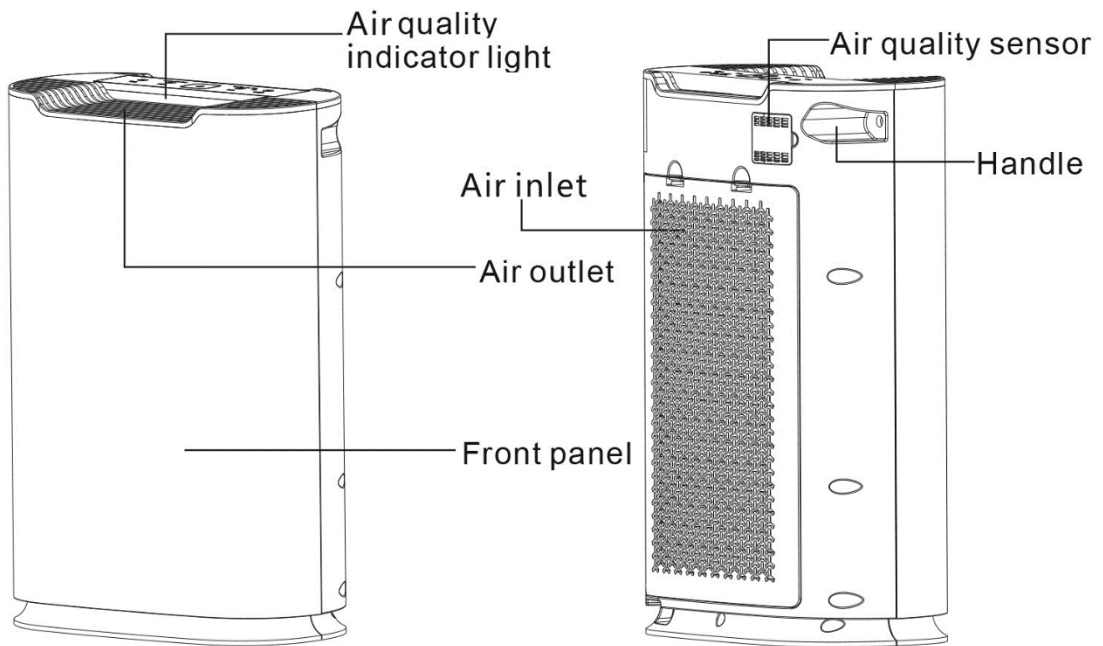
When using electrical appliances, basic safety precautions should always be followed, including the following:

- This appliance is not intended for use by any person with reduced physical, sensory or mental capabilities, or lack of experience and knowledge, unless they have been given supervision or instruction concerning use of the appliance by a person responsible for their safety.
- Children should be supervised to ensure that they do not play with the appliance.
- To protect against electrical shock, do not immerse unit, plug, or cord in water or spray with liquids.
- Unplug from outlet when not in use, when moving from one location to another, before putting on or taking off parts and before cleaning.
- Ensure fingers, hair and loose clothing are kept away from air outlets/inlets and openings.
- Ensure the air purifier is used on a flat stable surface.
- Do not use air purifier directly in front of an open window, in the presence of explosive and/or flammable fumes, liquids or gasses or near an open flame, or sources of heat including ovens, radiators or other heating appliances.
- Do not operate if the cord or plug are damaged.
- If the appliance malfunctions or has been dropped or damaged in any manner, please discontinue use and contact Vytronix.
- To disconnect, grip plug and pull from wall outlet. Never pull on the cord.
- Always use on a dry surface.
- This product is intended for indoor domestic use only and not for industrial or outdoor use.
- Do not use without all filters in place.

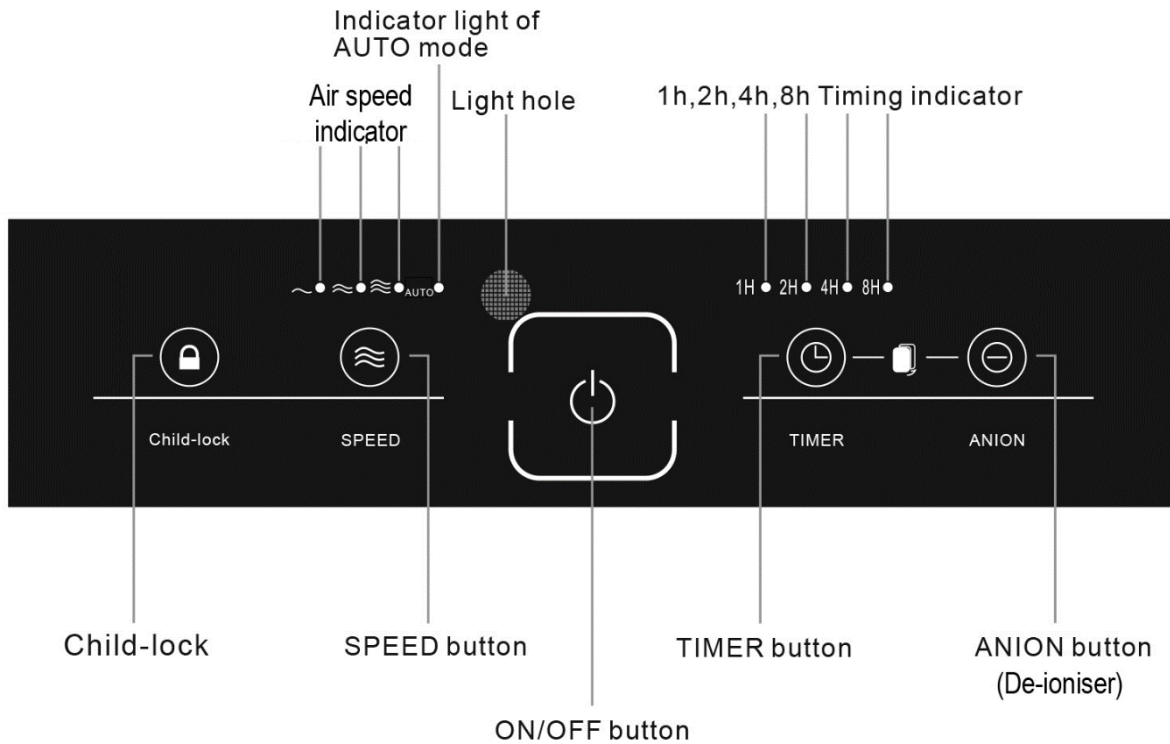
WARNING: In the case of any of the following situations PLEASE TURN OFF THE POWER IMMEDIATELY:

- Malfunction of any switch
- Smell of burning
- Abnormal sound or shock
- Abnormal heat on the power cord or plug.

GETTING TO KNOW YOUR AIR PURIFIER



CONTROL PANEL & FUNCTIONS



UNDERSTANDING THE INDICATOR LIGHT

The Indicator light confirms the quality of the air in the room the purifier is being used in.

NOTE: The air quality sensor does not work in ready mode

| <u>INDICATOR LIGHT COLOUR</u> | <u>AIR QUALITY</u> |
|-------------------------------|--------------------|
| Blue | Good |
| Green | Normal |
| Red | Poor |

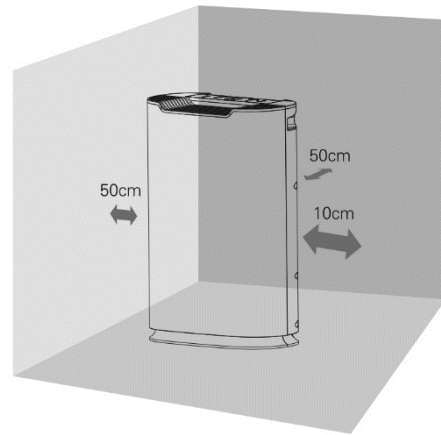
The air purifier will enter SLEEP mode if it senses it is being used in a dark room in AUTO mode. The fan speed will change to low and the only light displayed will be the power light.

ASSEMBLY INSTRUCTIONS

Position your air purifier on a flat, dry surface ensuring it is away from sources of heat and the power cable is not stretched from the mains to the appliance.

NOTE: To ensure good air circulation it is recommended to place the appliance 50cm away from any walls, furniture or curtains.

WARNING: Do not obstruct air inlet and outlet, ensuring enough ventilation and high efficiency.



NOTE: The filter housed in the appliance is covered with a packaging sleeve for transit purposes which needs to be removed prior to first use.

CAUTION: Please take care when removing the filter cover

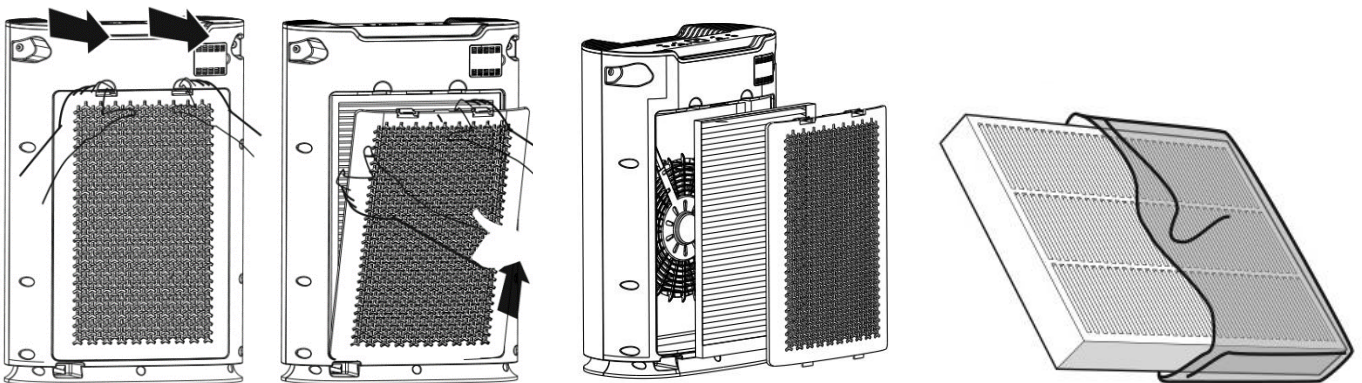
Step 1. Press button on the filter cover and pull the cover to remove

Step 2. Remove the filter from the back of the appliance

Step 3. Remove outer packaging sleeve from the filter

Step 4. Replace the filter back in the appliance

Step 5. To reinstall the back cover please align at the fixed groove and insert the cover into the groove and push closed



USING YOUR AIR PURIFIER

CAUTION: Before using this appliance please ensure you have read and followed the steps on page 5 to correctly assemble the appliance and remove the outer packaging sleeve from the filter.

Once the appliance is plugged in the air purifier will send out a siren and all indicator lights will flash three times. The power light will then illuminate.

Press the ON/OFF button and the appliance will enter AUTO mode. The indicator light of AUTO mode and power light will be displayed.

The air quality indicator light will be green when the purifier is first switched onto AUTO mode, after 2minutes the indicator light will display the correct air quality.

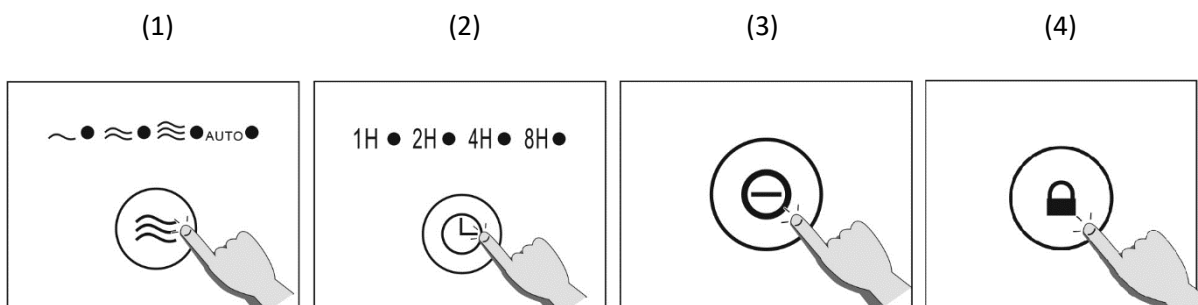
To power off the appliance hold the ON/OFF button for 5seconds the power light will flash, and the appliance can be unplugged from the mains.

USING THE FUNCTIONS

- 1) Air speed - Press SPEED button until you reach desired speed

NOTE: In AUTO mode, the air purifier will choose the air speed automatically according to the air quality of the room.

- 2) Timer - Press TIMER button to select 1h,2h,4h,8h
- 3) Anion - Press ANION button (de-ioniser) and you will hear a beep and the indicator light will be displayed.
- 4) Child-Lock Press & hold the Child-lock button for 3s and you will hear a beep and the indicator light will be displayed. In this mode no other functions can be changed until the child-lock function is switched off.



MAINTENANCE AND CLEANING

WARNING: Please remove the plug from the mains before carrying out any maintenance on this appliance.

CAUTION: Do not immerse appliance in water or use any detergents or flammable liquids such as bleach or alcohol to clean any parts of the air purifier.

NOTE: This air purifier uses composite filters which cannot be washed.

TIP: Cleaning and maintenance should be carried out at a minimum of every 6-8 weeks to ensure the best performance.

Clean the air purifier regularly to prevent the dust accumulation.

Step 1. Use a soft, dry cloth to remove the dust from vents

Step 2. Use a soft, dry cloth to remove dust from the outlet and inlet

Step 3. Remove the air quality sensor cover and use a soft, dry cloth or swab to clean the sensor

Step 4. Replace the air quality sensor cover

FILTER MAINTENANCE

NOTE: This air purifier uses composite filters which cannot be washed.

A warning light will be displayed when the filter needs to be changed.

To change the filter, remove the filter cover and filter. (see set up steps on page 5)

Fit the new filter into place and return the cover.

Once the filter has been replaced. Plug in and turn on the air purifier, press and hold the TIMER button and ANION button for 6s to reset the machine.

The filter indicator light should no longer be illuminated.

WARRANTY

To register your free one year Vytronix warranty visit www.vytronix.com using product code: brandnew-vytronix-vap55

SAFE DISPOSAL



This marking indicates that this product should not be disposed with other household waste throughout the EU. To prevent possible harm to the environment or human health from uncontrolled waste disposal, recycle it responsibly to promote the sustainable reuse of material resources. To arrange safe disposal of your used device, please use the return and collection systems or contact the retailer where the product was purchased.



VYTRONIX

Register your warranty at www.vytronix.com