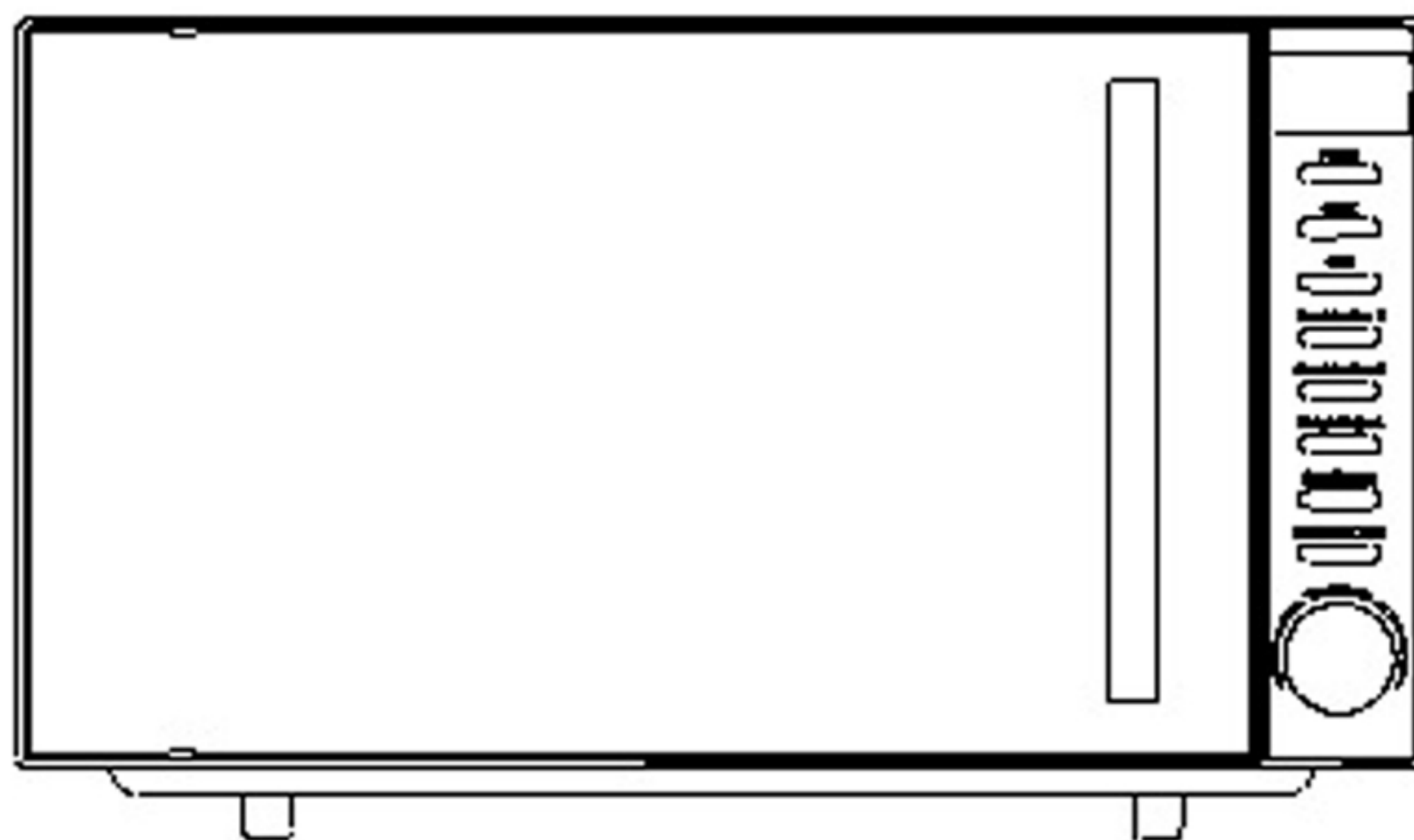


VYTRONIX

VY-HMO800 MICROWAVE OVEN INSTRUCTION MANUAL



PRECAUTIONS TO AVOID POSSIBLE EXPOSURE TO EXCESSIVE MICROWAVE ENERGY

1. Do not attempt to operate this oven with the door open since open door operation can result in harmful exposure to microwave energy. It is important not to tamper with the safety interlocks.
2. Do not place any object between the oven front face and the door or allow dirt or residue from cleaning products to accumulate on sealing surfaces.
3. Do not operate the unit if it is damaged. It is particularly important that the door closes properly and that there is no damage to the
 - a. Door (bent/cracked),
 - b. Hinges and latches (broken or loosened),
 - c. Door seals and sealing surfaces (worn, split or distorted).
4. The unit should not be adjusted or repaired by anyone except properly qualified service personnel authorized to do so by Vytronix UK Ltd.

CONTENTS

PRECAUTIONS TO AVOID POSSIBLE EXPOSURE TO EXCESSIVE MICROWAVE ENERGY -----	1
IMPORTANT SAFETY INSTRUCTIONS -----	2
SPECIFICATIONS -----	4
INSTALLATION -----	4
RADIO INTERFERENCE -----	5
GROUNDING INSTRUCTIONS-----	5
MICROWAVE COOKING PRINCIPLES -----	6
BEFORE YOU CALL FOR SERVICE-----	6
UTENSILS GUIDE -----	6
PART NAMES -----	7
CONTROL PANEL -----	8
HOW TO USE THE OVEN CONTROLS-----	9
CLEANING AND CARE -----	12

IMPORTANT SAFETY INSTRUCTIONS

When using the appliance, basic safety precautions should be followed, including the following:

WARNING: To reduce the risk of burns, electric shock, fire, injury to persons or exposure to excessive microwave energy:

1. Read all instructions before using the appliance.
2. Use this appliance only for its intended use as described in this manual. Do not use corrosive chemicals or vapors in this appliance. This type of microwave oven is specifically designed to heat, cook or dry food. It is not designed for industrial or laboratory use.
3. Do not operate the appliance when empty.
4. Do not operate this appliance if it has a damaged cord or plug, if it is not working properly or if it has been damaged or dropped. If the supply cord is damaged, it must be replaced by the manufacturer or its service agent or a similarly qualified person in order to avoid a hazard or potential void of warranty.
5. **WARNING:** Do not allow children to use the appliance without supervision unless adequate instructions have been given so that the child is able to use the appliance in a safe way and understands the hazards of improper use.
6. **Warning:** When the appliance is operated in the combination mode, children should only use the oven under adult supervision due to the temperatures generated.
7. To reduce the risk of fire in the oven cavity:
 - a. When heating food in plastic or paper container, keep an eye on the oven due to the possibility of ignition.
 - b. Remove wire twist-ties from paper or plastic bags before placing bag in oven.
 - c. If smoke is observed, unplug the appliance and keep the door closed in order to stifle any flames.
 - d. Do not use the cavity for storage purposes. Do not leave paper products, cooking utensils or food in the cavity when not in use.
8. **WARNING:** Liquid or other food must not be heated in sealed containers since they are liable to explode.
9. Microwave heating of beverage can result in delayed eruptive boiling, therefore care has to be taken when handling the container.
10. Do not fry food in the oven. Hot oil can damage oven parts and utensils and even result in skin burns.
11. Eggs in their shell and whole hard-boiled eggs should not be heated in microwave ovens since they may explode even after microwave heating has ended.
12. Pierce foods with heavy skins such as potatoes, whole squashes, apples and chestnuts before cooking.
13. The contents of feeding bottles and baby jars should be stirred or shaken and the temperature should be

checked before serving in order to avoid burns.

14. Cooking utensils may become hot because of heat transferred from the heated food. Potholders may be needed to handle the utensil.
15. Utensils should be checked to ensure that they are suitable for use in microwave oven.
16. **WARNING:** It is hazardous for anyone other than a trained person to carry out any service or repair operation which involves the removal of any cover giving protection against exposure to microwave energy.
17. This product is a Group 2 Class B ISM equipment. The definition of Group 2 which contains all ISM (Industrial, Scientific and Medical) equipment in which radio-frequency energy is intentionally generated and/or used in the form of electromagnetic radiation for the treatment of material, and spark erosion equipment. For Class B equipment is equipment suitable for use in domestic establishments and in establishments directly connected to a low voltage power supply network which supplies buildings used for domestic purpose.
18. This appliance is not intended for use by persons (including children) with reduced physical, sensory or mental capabilities, or lack of experience and knowledge, unless they have been given supervision or instruction concerning use of the appliance by a person responsible for their safety.
19. Children should be supervised to ensure that they do not play with the appliance.
20. The microwave oven is only to be used freestanding.
21. **WARNING:** Do not install oven over a range cooktop or other heat-producing appliance. If installed could be damaged and the warranty would be void .
22. The accessible surface may be hot during operation.
23. The microwave oven shall not be placed in a cabinet.
24. The door or the outer surface may get hot when the appliance is operating.
25. The temperature of accessible surfaces may be high when the appliance is operating.
26. The appliance should be placed against a wall.
27. Children are advised not to play with appliance
28. **WARNING:** If the door or door seals are damaged, the oven must not be operated until it has been repaired by a qualified person authorized by Vytronix UK Ltd.
29. The microwave oven is for household use only and not for commercial use.
30. Never remove the distance holder in the back or on the sides, as it ensures a minimum spacing for air circulation.
31. Please secure the turn table before you move the appliance to avoid damages.
32. **Caution:** It is dangerous for the appliance to be repaired by anyone other than a specialist because under these circumstances the cover may have to be removed which assures protection against microwave radiation. This applies to changing the power cord or the lighting as well. Please contact the manufacturer for advice before doing so.
33. The microwave oven is intended for defrosting, cooking and steaming of food only.
34. Use heatproof or oven gloves when you remove any heated food.
35. **Caution!** Steam may escape when opening lids or unwrapping foil/film

SPECIFICATIONS

Power Consumption	230V-240V~50Hz, 1200W(microwave)
Output	800W
Operation Frequency	2450MHz
Outside Dimensions	262mm(H)×452mm(W)×360mm(D)
Oven Cavity Dimensions	198mm(H)×315mm(W)×297mm(D)
Oven Capacity	Compact 20 Litres
Cooking Uniformity	Turntable System
Net Weight	Approx.10.5kg

INSTALLATION

1. Make sure that all the packing materials are removed from the inside of the door.
2. **WARNING:** Check the oven for any damage, such as misaligned or bent door, damaged door seals and sealing surface, broken or loose door hinges and latches and dents inside the cavity or on the door. If there is any damage, do not operate the oven and contact Vytronix UK Ltd immediately.
3. This microwave oven must be placed on a flat, stable surface to hold its weight and the heaviest food likely to be cooked in the oven.
4. Do not place the oven where heat, moisture, or high humidity are generated, or near combustible materials.
5. For correct operation, the oven must have sufficient airflow. Allow 20cm of space above the oven, 10cm at back and 5cm at both sides. Do not cover or block any openings on the appliance. Do not remove feet.
6. Do not operate the oven without glass tray, roller support, and shaft in their proper positions.
7. Make sure that the power supply cord is undamaged and does not run under the oven or over any hot or sharp surface.
8. The socket must be readily accessible so that it can be easily unplugged in an emergency.
9. Do not use the oven outdoors.

RADIO INTERFERENCE

Operation of the microwave oven can cause interference to your radio, TV, or similar equipment.

When there is interference, it may be reduced or eliminated by taking the following measures:

1. Clean door and sealing surface of the oven.
2. Reorient the receiving antenna of radio or television.
3. Relocate the microwave oven with respect to the receiver.
4. Move the microwave oven away from the receiver.
5. Plug the microwave oven into a different outlet so that microwave oven and receiver are on different branch circuits.

GROUNDING INSTRUCTIONS

This appliance must be grounded. This oven is equipped with a cord having a grounding wire with a grounding plug. It must be plugged into a wall receptacle that is properly installed and grounded. In the event of an electrical short circuit, grounding reduces risk of electric shock by providing an escape wire for the electric current. It is recommended that a separate circuit serving only the oven be provided. Using a high voltage is dangerous and may result in a fire or other accident causing oven damage.

WARNING Improper use of the grounding plug can result in a risk of electric shock.

Note

1. If you have any questions about the grounding or electrical instructions, consult a qualified electrician or service person.
2. Neither the manufacturer nor the dealer can accept any liability for damage to the oven or personal injury resulting from failure to observe the electrical connection procedures.

The wires in this cable main are colored in accordance with the following code:

Green and Yellow = EARTH

Blue = NEUTRAL

Brown = LIVE

MICROWAVE COOKING PRINCIPLES

1. Arrange food carefully. Place thickest areas towards outside of dish.
2. Watch cooking time. Cook for the shortest amount of time indicated and add more as needed. Food severely overcooked can smoke or ignite.
3. Cover foods while cooking. Covers prevent spattering and help foods to cook evenly.
4. Turn foods over once during microwaving to speed cooking of such foods as chicken and hamburgers. Large items like roasts must be turned over at least once.
5. Rearrange foods such as meatballs halfway through cooking both from top to bottom and from the center of the dish to the outside.

BEFORE YOU CALL FOR SERVICE

If the oven fails to operate:

1. Check to ensure that the oven is plugged in securely. If it is not, remove the plug from the outlet, wait 10 seconds, and plug it in again securely.
2. Check for a blown fuse or a tripped main circuit breaker. If these seem to be operating properly, test the outlet with another appliance.
3. Check to ensure that the control panel is programmed correctly and that the timer is set.
4. Check to ensure that the door is securely closed engaging the door safety lock system. If it is not, the microwave energy will not flow into the oven space.

IF NONE OF THE ABOVE RECTIFIES THE SITUATION, THEN PLEASE CONTACT VYTRONIX UK LTD - DO NOT TRY TO MODIFY OR REPAIR THE APPLIANCE YOURSELF.

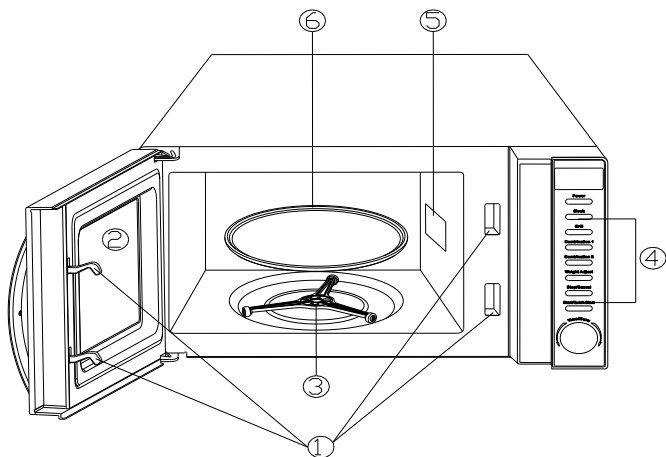
UTENSILS GUIDE

1. The ideal material for a microwave utensil is transparent to microwave, it allows energy to pass through the container and heat the food.
2. Microwave cannot penetrate metal, so metal utensils or dishes with metallic trim should never be used.
3. Do not use recycled paper products when microwave cooking, as they may contain small metal fragments which may cause sparks and/or fires.
4. Round/oval dishes rather than square/oblong are recommended as food in corners can overcook.

The list below is a general guide to help you select the correct utensils.

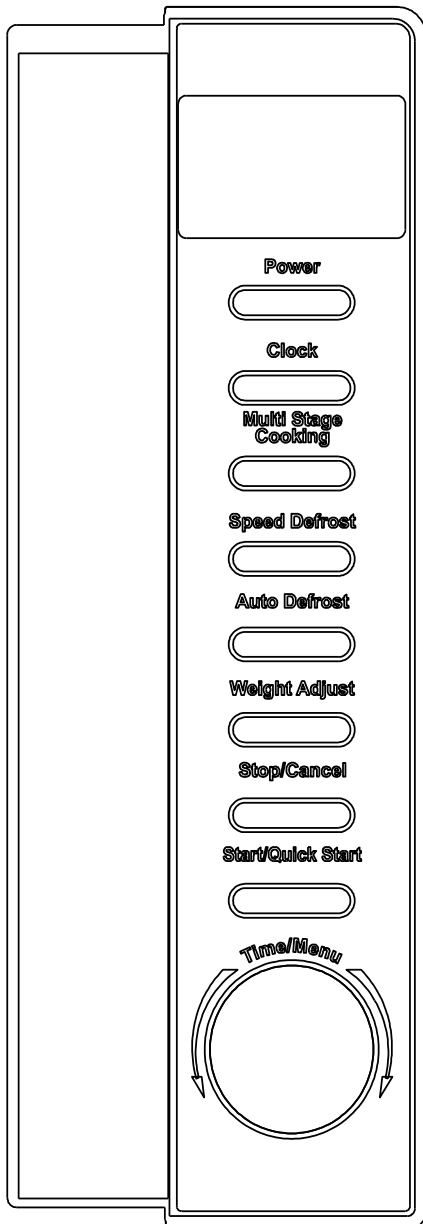
COOKWARE	MICROWAVE	GRILL	COMBINATION
Heat-Resistant Glass	Yes	Yes	Yes
Non Heat-Resistant Glass	No	No	No
Heat-Resistant Ceramics	Yes	Yes	Yes
Microwave-Safe Plastic Dish	Yes	No	No
Kitchen Paper	Yes	No	No
Metal Tray	No	Yes	No
Metal Rack	No	Yes	No
Aluminum Foil & Foil Containers	No	Yes	No

PART NAMES



1. Door Safety Lock System
2. Oven Window
3. Turntable Support
4. Control Panel
5. Wave Guide (Please do not remove the mica plate covering the wave guide)
6. Glass Tray

CONTROL PANEL



- **DISPLAY**

Cooking time, power, indicators and clock time are displayed.

- **POWER**

Use to select microwave power level.

- **CLOCK**

Use to set the current time.

- **MULTI STAGE COOKING**

Use to set multistage cooking.

- **SPEED DEFROST**

Use to set speed defrost program.

- **AUTO DEFROST**

Use to set auto defrost program.

- **WEIGHT ADJUST**

Use to select the weight or amount of food.

- **STOP/CANCEL**

Use to pause a cooking, cancel all settings or set child lock.

- **START/QUICK START**

Use to start the oven or set quick start program.

- **TIME/MENU knob**

Use to set time or select auto cook menus.

HOW TO USE THE OVEN CONTROLS

- While cooking, if you press STOP/CANCEL pad once or open the door, the program will be paused, then press START/QUICK START pad to resume, but if press STOP/CANCEL pad twice, the program will be cancelled.
- Once cooking has ended, the system will beep to remind user every two minutes until user presses the STOP/CANCEL pad or open the door.

Setting The Clock

This is a 12 or 24 hour clock, and you can select it by pressing CLOCK pad. During cooking, the current time can be seen by touching CLOCK pad.

1. Touch CLOCK pad once or twice.
2. Turn TIME/MENU knob to set the hour digit.
3. Touch CLOCK pad to confirm.
4. Turn TIME/MENU knob to set the minute digit.
5. Touch CLOCK pad again to confirm.

Microwave Cooking

During cooking, the current power level can be seen by touching POWER pad.

1. Touch POWER pad repeatedly to select microwave power level (from 100% to 0%).
2. Turn TIME/MENU knob to enter cooking time. The longest time is 60 minutes.
3. Touch START/QUICK START pad.

Auto Defrost

The oven allows defrosting meat, poultry, and seafood. The defrosting time and power level are adjusted automatically once the weight is programmed. The range weight of frozen food varies between 100g and 1800g.

1. Touch AUTO DEFROST pad.
2. Turn TIME/MENU knob to select food weight.
3. Touch START/QUICK START pad.

Note:

During defrosting program, the system will pause and sound beeps to remind user to turn food over, and then press START/QUICK START pad to resume.

Auto Defrost

In standby state, press START/QUICK START pad repeatedly to enter cooking time, the longest time is 12 minutes, and the oven will start automatically at 100% high power level.

Speed Defrost

1. Touch SPEED DEFROST pad.
2. Turn TIME/MENU knob to enter defrosting time. The longest time is 60 minutes.
3. Touch START/QUICK START pad.

Multistage Cooking

First stage	Speed Defrost	Microwave cooking
Second stage	Microwave cooking	Microwave cooking
Third stage	Microwave cooking	

1. Set the first stage cooking program. DO NOT TOUCH START/QUICK START.
2. Touch MULTI STAGE COOKING pad.
3. Set the second stage cooking program. DO NOT TOUCH START/QUICK START.
4. Touch MULTI STAGE COOKING pad.
5. Set the third stage cooking program.
6. Touch START/QUICK START pad.

Note: If you need a two-stage cooking program, omit the 4-5 steps.

Setting Child Lock

The lock prevents unsupervised operation by children.

- To set the child lock: In standby mode, press STOP/CANCEL pad for 3 seconds, then a beep will sound. In the lock state, the oven can't be operated.
- To cancel the child lock: Press STOP/CANCEL pad for 3 seconds, then a beep will sound, and the oven can be operated.

Auto Cook

It is not necessary to program the cooking time and power level.

1. Turn TIME/MENU knob to select menu code.
2. Touch WEIGHT ADJUST pad repeatedly to select the weight or amount of food.
3. Touch START/QUICK START pad.

Auto cook menus:

Code	Menu	
A-1	Milk/Coffee (200ml/cup)	<p>Note:</p> <p>The result of auto cooking depends on factors such as fluctuation of voltage, the shape and size of food, your personal preference as to the readiness of certain foods and even how you position food in the oven. If you find the result at any rate not quite satisfactory, please adjust the cooking time a little bit accordingly.</p>
A-2	Rice (g)	
A-3	Spaghetti (g)	
A-4	Potato (230g/unit)	
A-5	Auto Reheat (g)	
A-6	Fish (g)	
A-7	Pizza (g)	
A-8	Popcorn (g)	

CLEANING AND CARE

1. Turn off the oven and remove the power plug from the wall socket before cleaning.
2. Keep the inside of the oven clean using a damp cloth. Mild detergent may be used if the oven gets very dirty. Avoid the use of spray and other harsh cleaners as they may stain or dull the surface.
3. The outside surfaces should be cleaned with a damp cloth. To prevent damage to the operating parts inside the oven, water should not be allowed to seep into the ventilation openings.
4. Wipe the door and window on both sides, the door seals and adjacent parts frequently with a damp cloth to remove any spills or splatters. Do not use abrasive cleaner.
5. Do not allow the control panel to become wet. Clean with a soft, damp cloth. When cleaning the control panel, leave oven door open to prevent oven from accidentally turning on.
6. If steam accumulates inside or around the outside of the oven door, wipe with a soft cloth. This may occur when the microwave oven is operated under high humidity condition and it is normal.
7. It is occasionally necessary to remove the glass tray for cleaning. Wash the tray in warm soapy water or in a dishwasher.
8. The roller ring and oven floor should be cleaned regularly to avoid excessive noise. Simply wipe the bottom surface of the oven with a damp cloth. The roller ring may be washed in mild soapy water or a dishwasher. Be sure to replace in the proper position.
9. Remove odors from your oven by combining a cup of water with the juice and skin of one lemon in a deep microwaveable bowl, microwave for 5 minutes. Wipe thoroughly and dry with a soft cloth.
10. When it becomes necessary to replace the oven light, please consult Vytronix UK Ltd first.
11. The oven should be cleaned regularly and any food deposits removed. Failure to maintain the oven in a good condition could lead to deterioration of the surfaces that could adversely affect the life of the appliance and possibly result in a hazardous defects.
12. Please do not dispose of this appliance into the domestic rubbish bin; it should be disposed of via an appropriate disposal center advised by Vytronix UK Ltd..
13. When the microwave oven with grill function is first used, it may produce slight smoke and smell. This is a normal phenomenon because the oven is made of a steel plate coated with lubricating oil, and the new oven will produce fumes and odor generated by burning the lubricating oil. This phenomenon will disappear after a period of using.

WARRANTY

To register for your 1 year guarantee please visit www.vytronix.com and register using product code:
brand-new-vytronix-vy-hmo800

VYTRONIX

Register your warranty at www.vytronix.com