

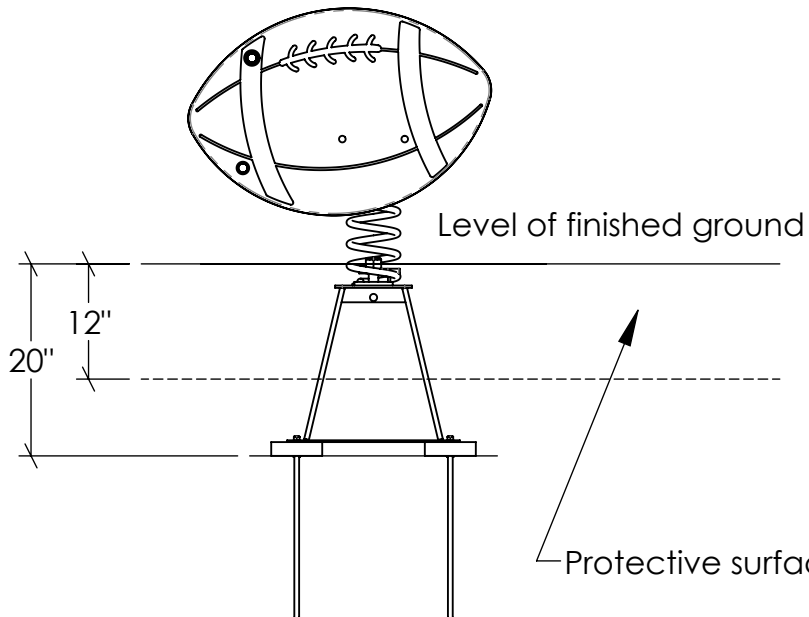
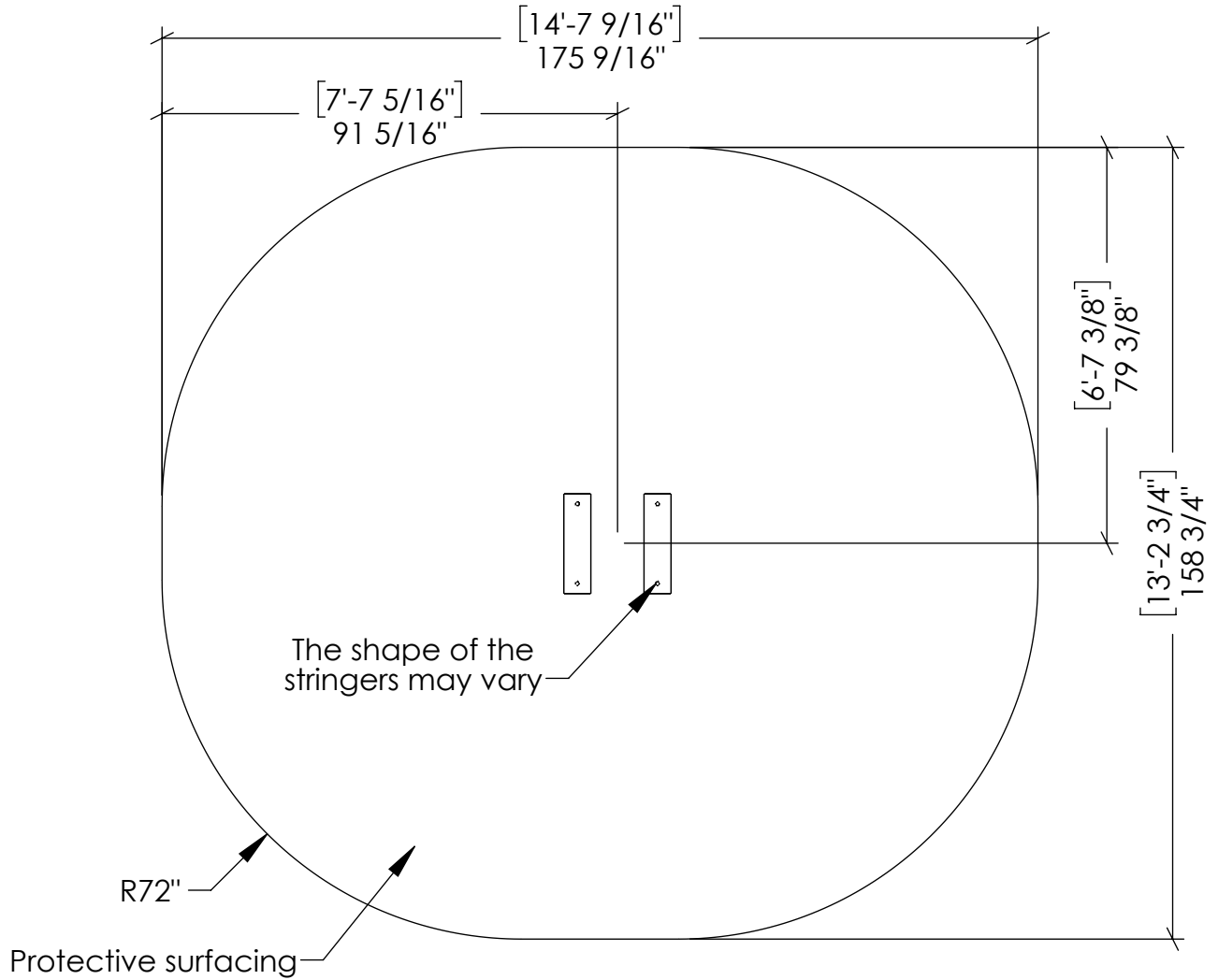
# ASSEMBLY PLAN

13/02/2023

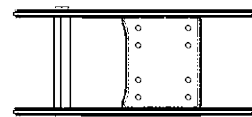
EL

( On stringer )

CSA - ASTM



Plan view of the product:



**ASSEMBLY PLAN**

13/02/2023

EL

( On stringer )

CSA - ASTM

Item	Description	Qty.	Number
1	1/2" x 19" Anchor peg (Oiled)	4	α11764
2	Football spring rider	1	*34316

**Note :** A few hours after the installation, tighten the nuts as many time needed to stabilise the pieces. Afterwards, verify periodically the nuts at each end of the spring.

