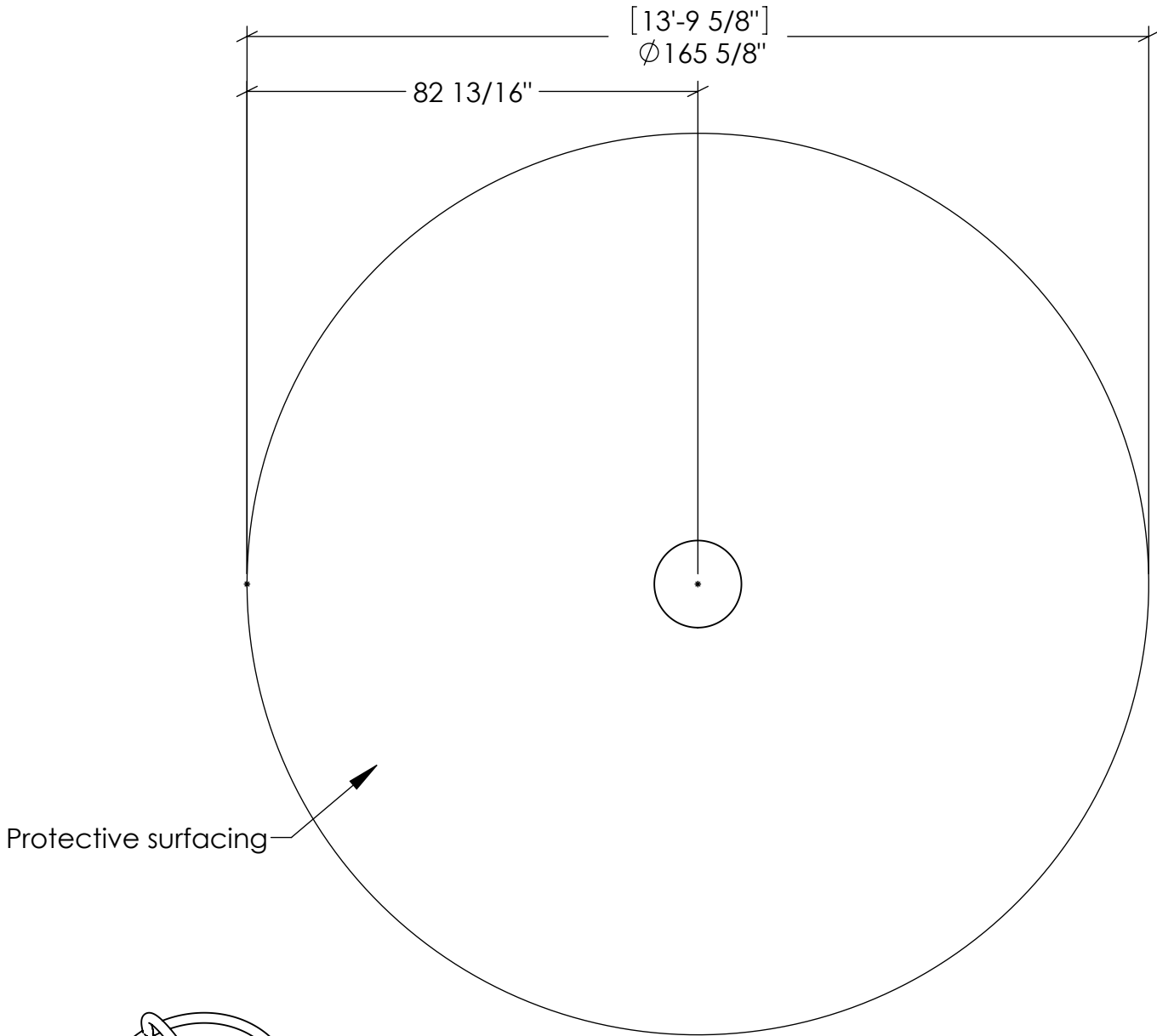


# ASSEMBLY PLAN

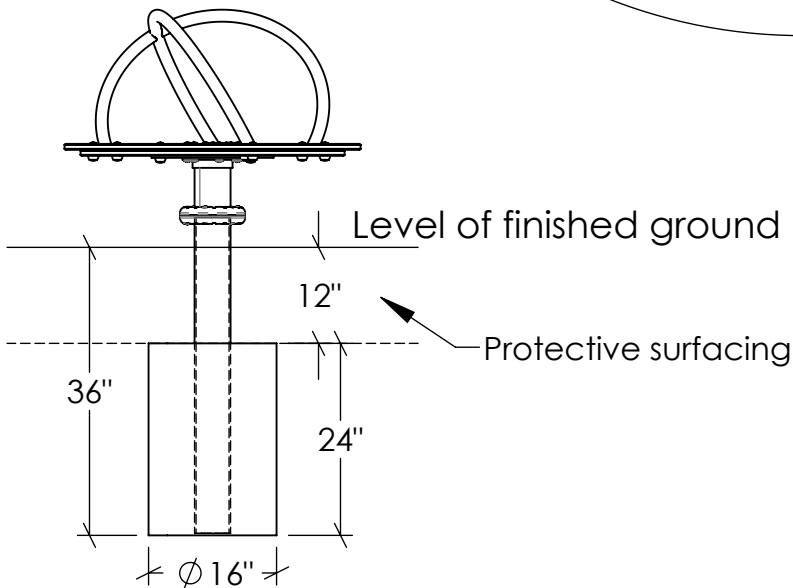
22/02/2021

A.D.

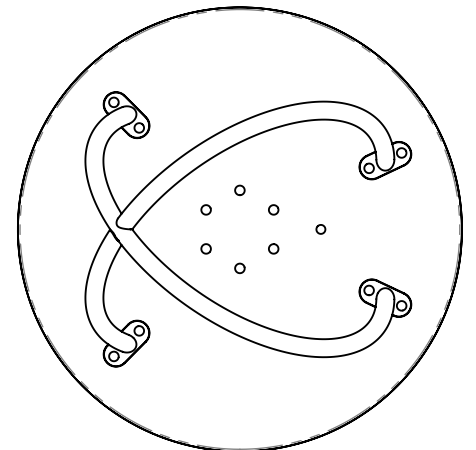
Xyrä-45  
CSA -ASTM



Protective surfacing



Plan view of the product:



# ASSEMBLY PLAN

22/02/2021

A.D.

Xyrä-45  
CSA -ASTM

Item	Description	Qty.	Number
1	Gv. 40" anchoring post	1	α14354
2	Xyrä-45 structure	1	α34633
3	3/8*1 Stainless steel carr.bolt	6	40151
4	3/8*1-1/2 Stainless steel carr.bolt	6	40161
5	3/8 Stainless flat washer	6	42470
6	3/8 St/St thin nylon lock nut	6	42811
7	st/st barrel nut 3/8-16*1/2	6	46999
8	XyrÄ Rubber Flange Protector	2	60513

