

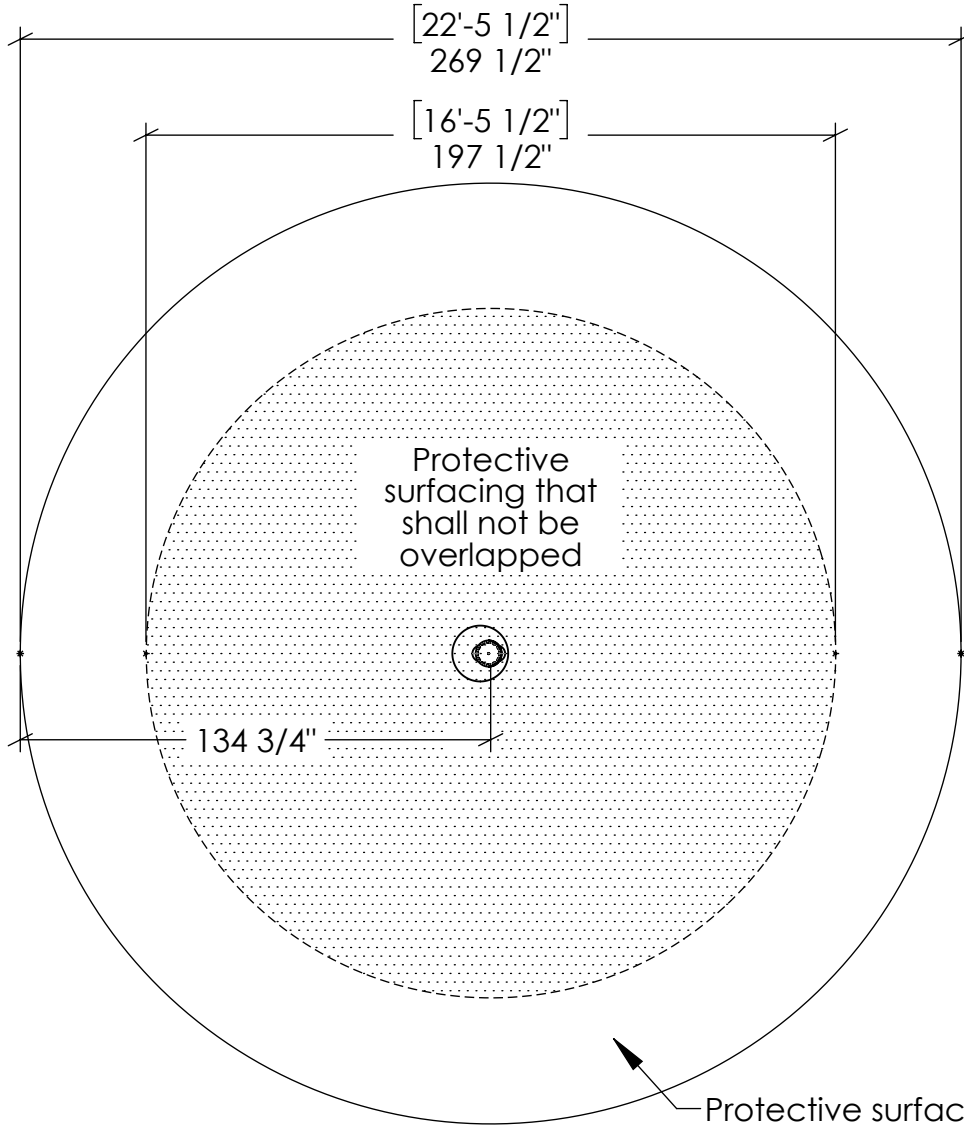
ASSEMBLY PLAN

06/06/2023

MC

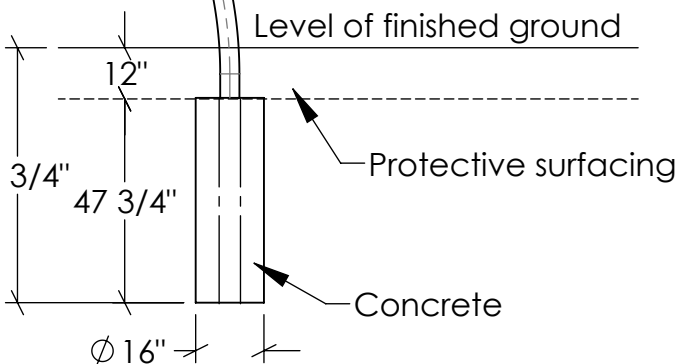
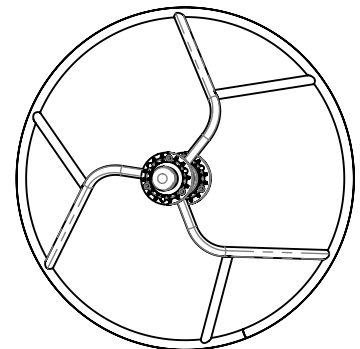
Xyrä-30

ASTM



Protective surfacing that can overlap with protective surfacing zone

Plan view of the product



ASSEMBLY PLAN

06/06/2023

MC

Xyrä-30

ASTM

Item	Description	Qty.	Number
1	52"Ø circular tubing	1	α13319
2	4.5Ø*132" Curved post (Xyrä-30)	1	α14101
3	3/8*1 Stainless steel carr.bolt	6	40151
4	3/8*1-1/2 Stainless steel carr.bolt	6	40161
5	3/8 Stainless flat washer	6	42470
6	3/8 St/St thin nylon lock nut	6	42811
7	st/st barrel nut 3/8-16*1/2	6	46999
8	XyrÄ Rubber Flange Protector	2	60513

