

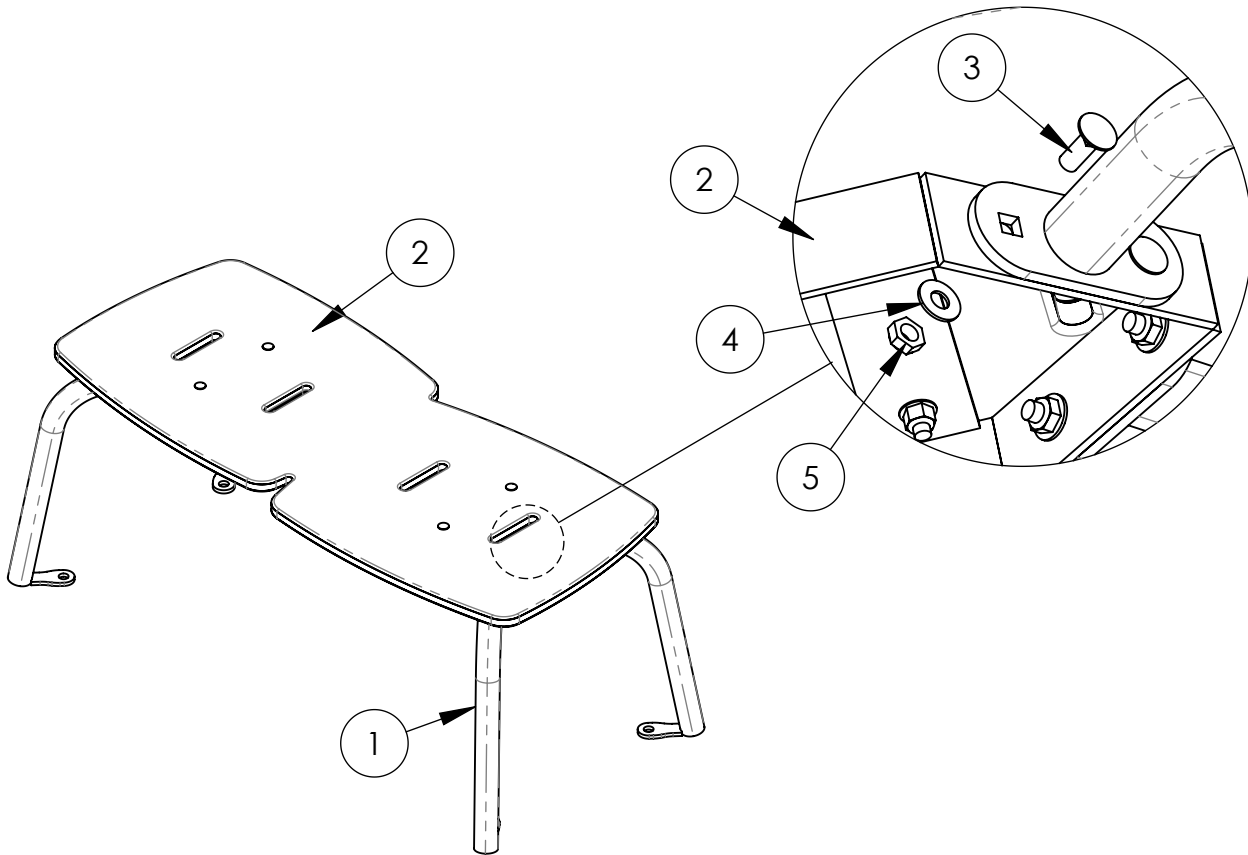
ASSEMBLY PLAN

20/06/2023

MR

Jazz Bench 2 pl. backless, 4 legs, AL

Item	Description	Qty.	Number
1	Aluminum leg for bench	4	*14023
2	2 seat bench gv. (1 central leg)	1	*33675
3	3/8*1 Stainless steel carr.bolt	8	40151
4	3/8 Stainless flat washer	8	42470
5	3/8 St/St thin nylon lock nut	8	42811

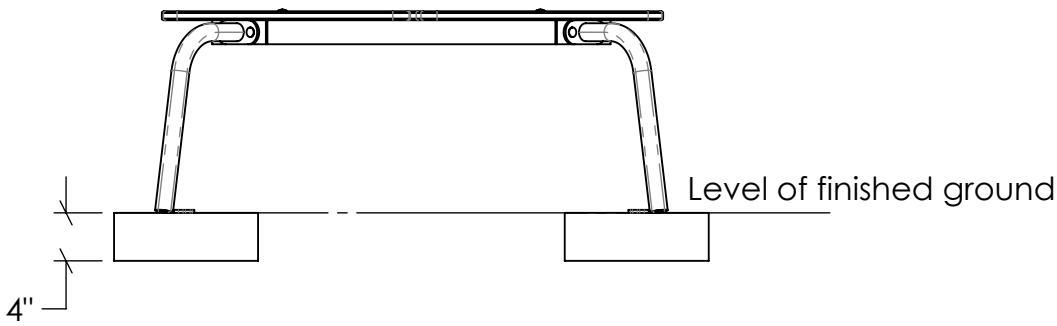
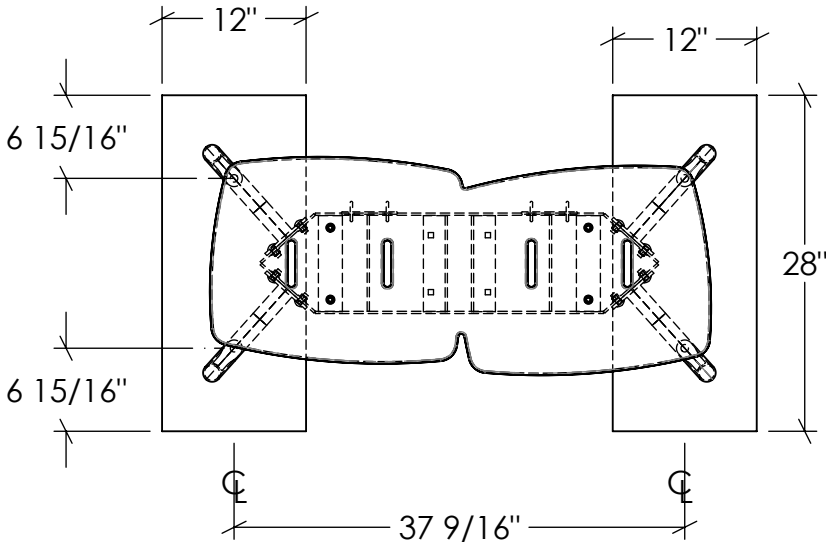


ASSEMBLY PLAN

20/06/2023

MR

Jazz Bench 2 pl. backless, 4 legs, AL



BG-4029
12" x 28" x 4"
Concrete footing
(**Not included**)

See detail of anchoring
to concrete footings

