

ASSEMBLY PLAN

**Jambette Playground
Equipment**

700, Des Calfats, Lévis, Qc.

G6V 9E6

Tél. : (418) 837-8246

Fax : (418) 837-2916

Tél. : 1-877-363-2687

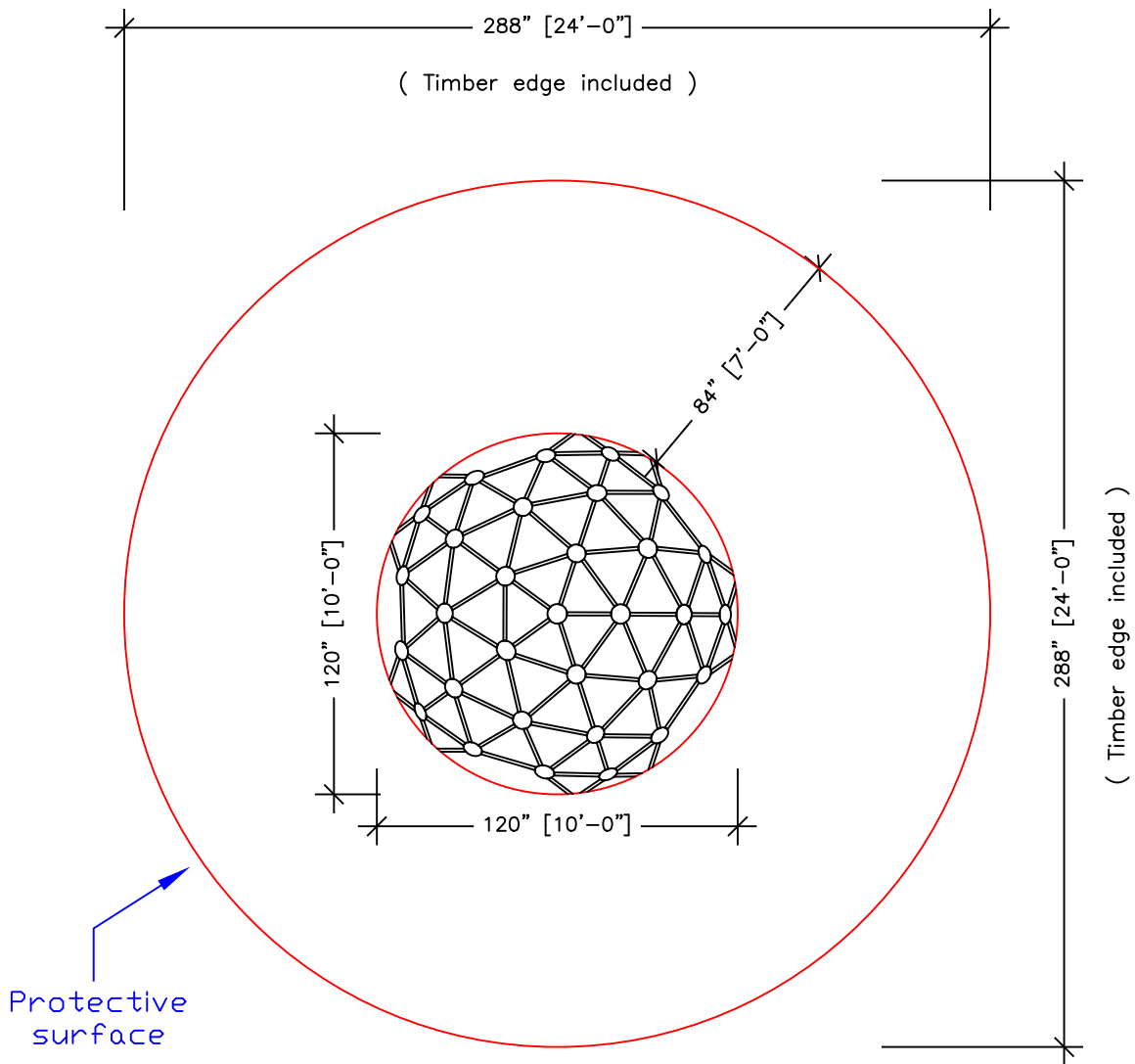
rev: 14/03/01

X

G-9442-D

Dome with openings

(10'-0" ϕ x 4'-8" high / On stringers)



ASSEMBLY PLAN

**Jambette Playground
Equipment**

700, Des Calfats, Lévis, Qc.

G6V 9E6

Tél. : (418) 837-8246

Fax : (418) 837-2916

Tél. : 1-877-363-2687

rev.: 10/04/03 X

G-9442-D

Dome with openings

{ 10'-0" \varnothing x 4'-0" high / On stringers }

STEP BY STEP :

- 1 - Define where the structure will be placed on a relatively flat area.
- 2 - Assemble the 5 six tube stars (Detail 1) and the 6 five tube stars (Detail 2).
- 3 - Place on the ground the tube star assemblies and 20 aluminum discs with 6 notches (Detail 3).
- 4 - Arrange the (35) 22-1/8" tubes (Detail 4).
- 5 - Begin to assemble from the center. Don't tighten hardware with tool immediately to allow easier adjustments.
- 6 - When you completely finish assembly, tighten firmly all nylon lock nuts and insert all plugs in capsules.
- 7 - Bolt legs to dome and to wooden stringers.
- 8 - Mark stringers position on the ground. Move the dome and dig trenches 12" deep. Deposit stringers in the trenches, level the dome before filling.

ASSEMBLY PLAN

**Jambette Playground
Equipment**

700, Des Calfats, Lévis, Qc.

G6V 9E6

Tél. : (418) 837-8246

Fax : (418) 837-2916

Tél. : 1-877-363-2687

rev.: 06/12/01 X

G-9442-D

Dome with openings

{ 10'-0" ϕ x 4'-0" high / On stringers }

(DETAIL 1)

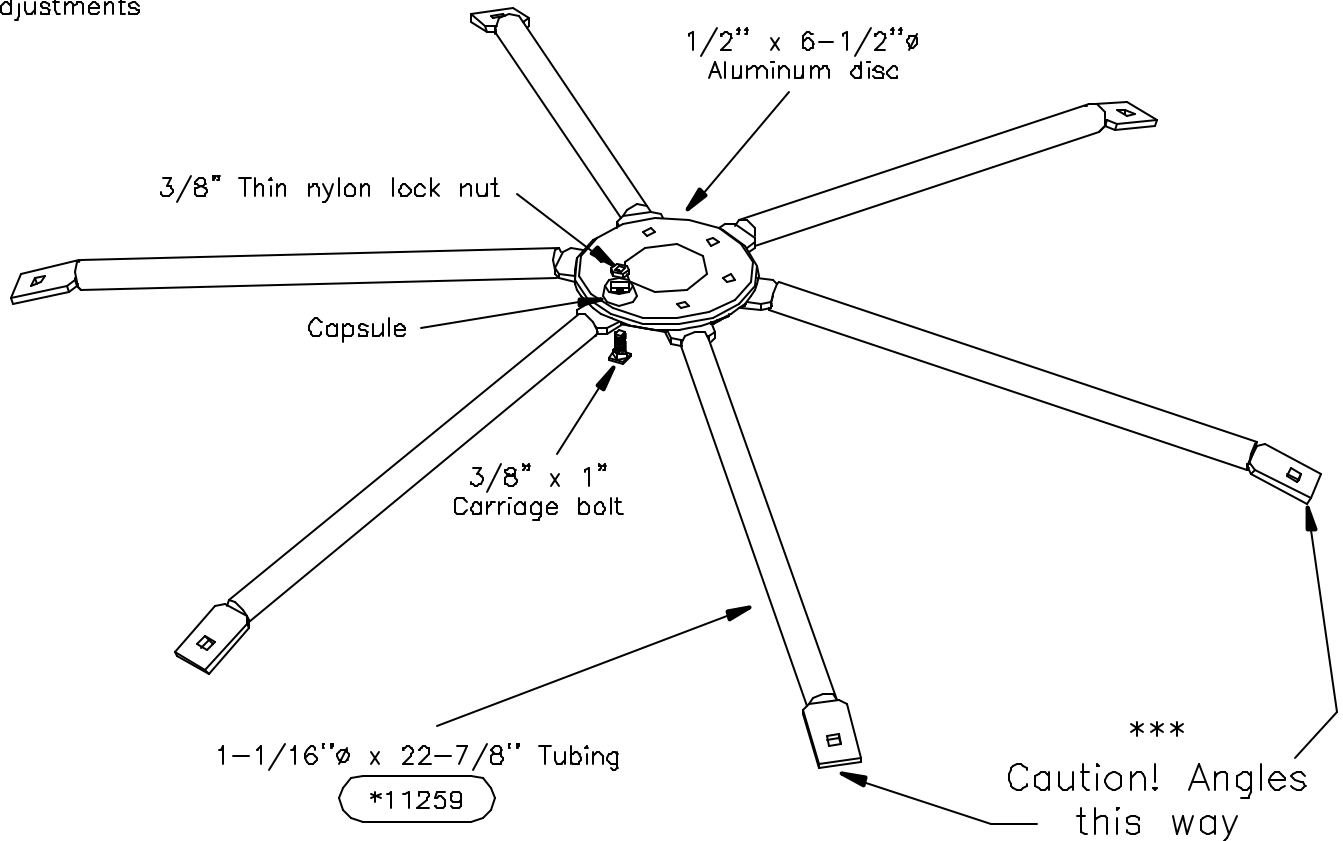
(5) 6 Tube stars assembly

- 1 Aluminum disc with 6 notches
- 6 1-1/16" ϕ x 22-7/8" Tubings

13352

*11259

Don't tighten nuts immediately
with tool to allow easier
adjustments



Hardware for tubes to disc

3/8" x 1" Carriage bolts	(40150)
3/8" Thin nylon lock nuts	(42810)
Capsules	(45150)
Plugs	(45145)

ASSEMBLY PLAN

**Jambette Playground
Equipment**

700, Des Calfats, Lévis, Qc.

G6V 9E6

Tél. : (418) 837-8246

Fax : (418) 837-2916

Tél. : 1-877-363-2687

rev.: 06/12/01 X

G-9442-D

Dome with openings

{ 10'-0" ϕ x 4'-0" high / On stringers }

(DETAIL 2)

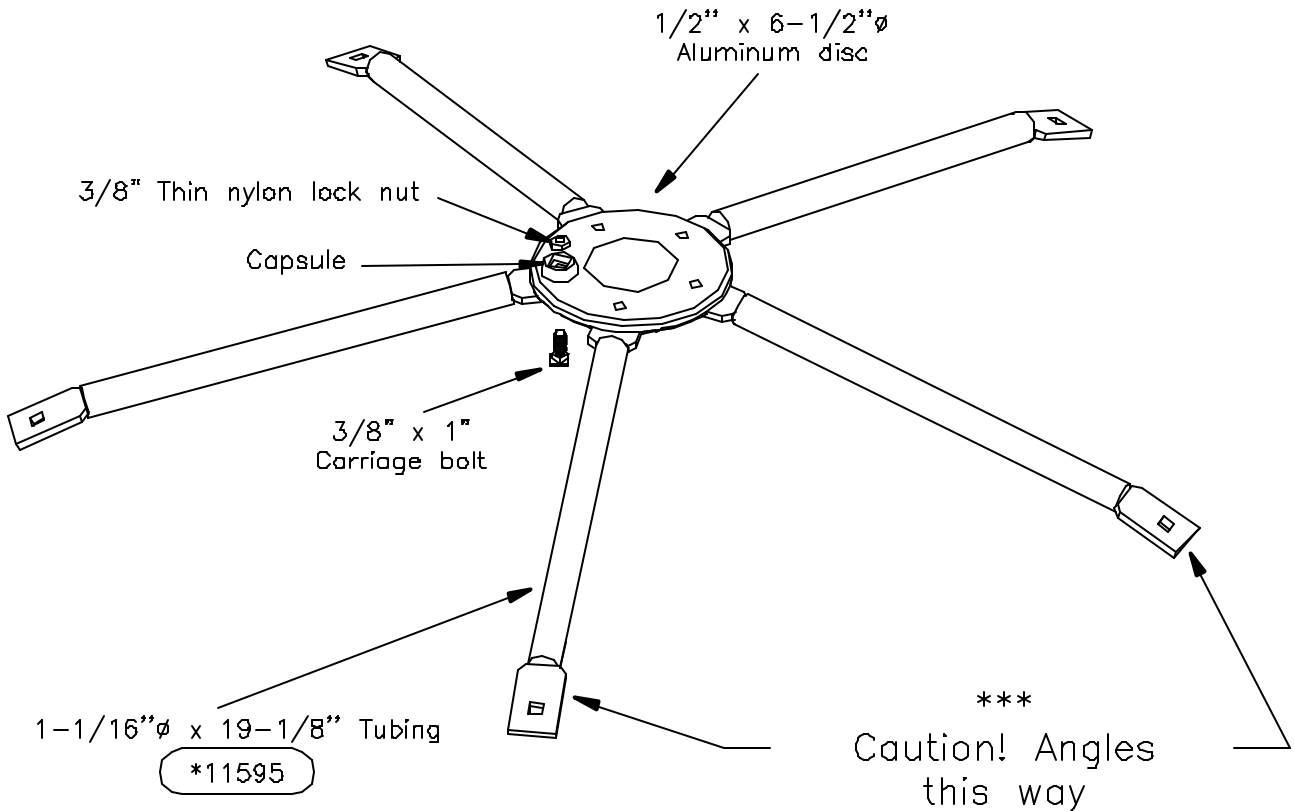
(6) 5 Tube stars assembly

- 1 Aluminum disc with 5 notches
- 5 1-1/16" ϕ x 19-1/8" Tubings

13351

*11595

Don't tighten nuts immediately
with tool to allow easier
adjustments



Hardware for tubes to disc

3/8" x 1" Carriage bolts	(40150)
3/8" Thin nylon lock nuts	(42810)
Capsules	(45150)
Plugs	(45145)

ASSEMBLY PLAN

**Jambette Playground
Equipment**

700, Des Calfats, Lévis, Qc.

G6V 9E6

Tél. : (418) 837-8246

Fax : (418) 837-2916

Tél. : 1-877-363-2687

rev.: 06/12/01 X

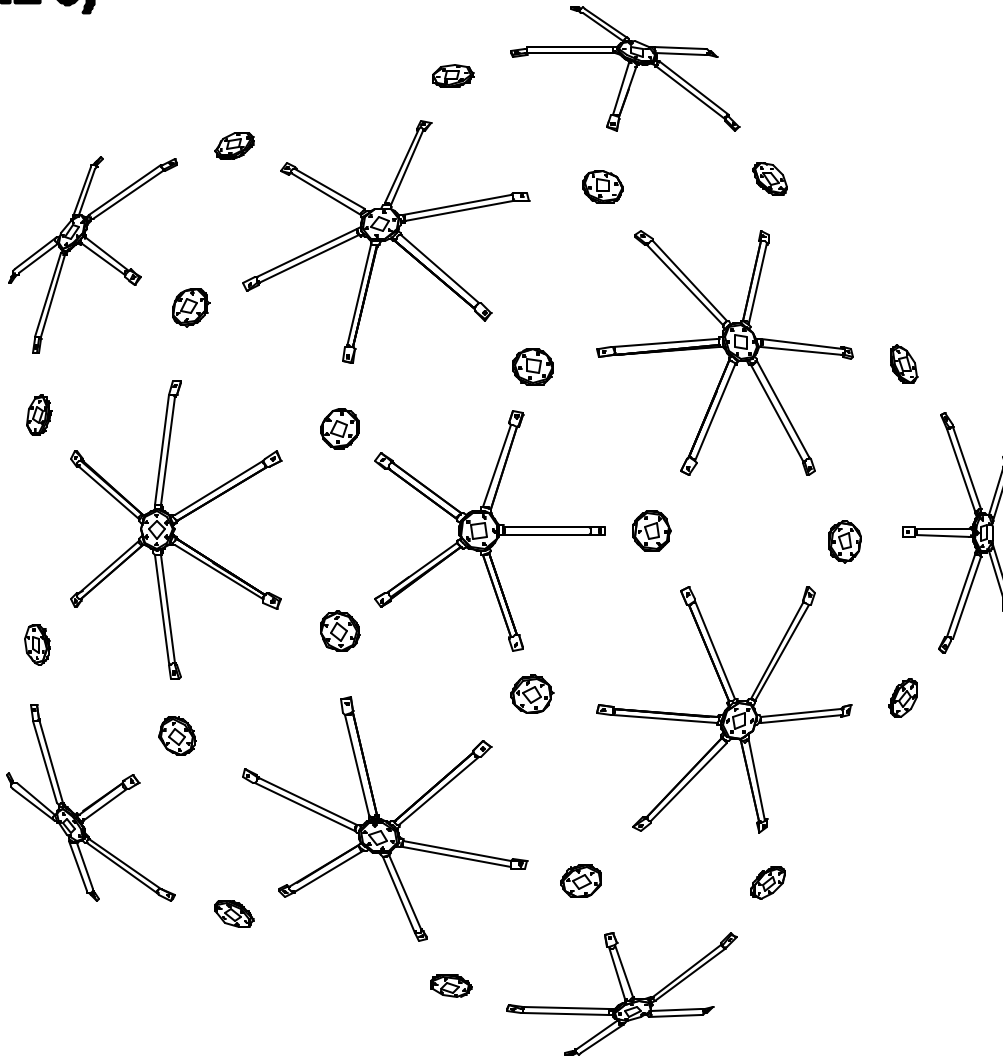
G-9442-D

Dome with openings

{ 10'-0" \varnothing x 4'-0" high / On stringers }

Stars and aluminum discs position for assembly.

(DETAIL 3)



Hardware for tubes to disc

(6) 5-19-1/8" Tube stars

(5) 6-22-7/8" Tube stars

20 Aluminum discs with 6 notches

3/8" x 1" Carriage bolts

3/8" Thin nylon lock nuts

Capsules

Plugs

(40150)

(42810)

(45150)

(45145)

ASSEMBLY PLAN

**Jambette Playground
Equipment**

700, Des Calfats, Lévis, Qc.

G6V 9E6

Tél. : (418) 837-8246

Fax : (418) 837-2916

Tél. : 1-877-363-2687

rev.: 06/12/01

X

G-9442-D

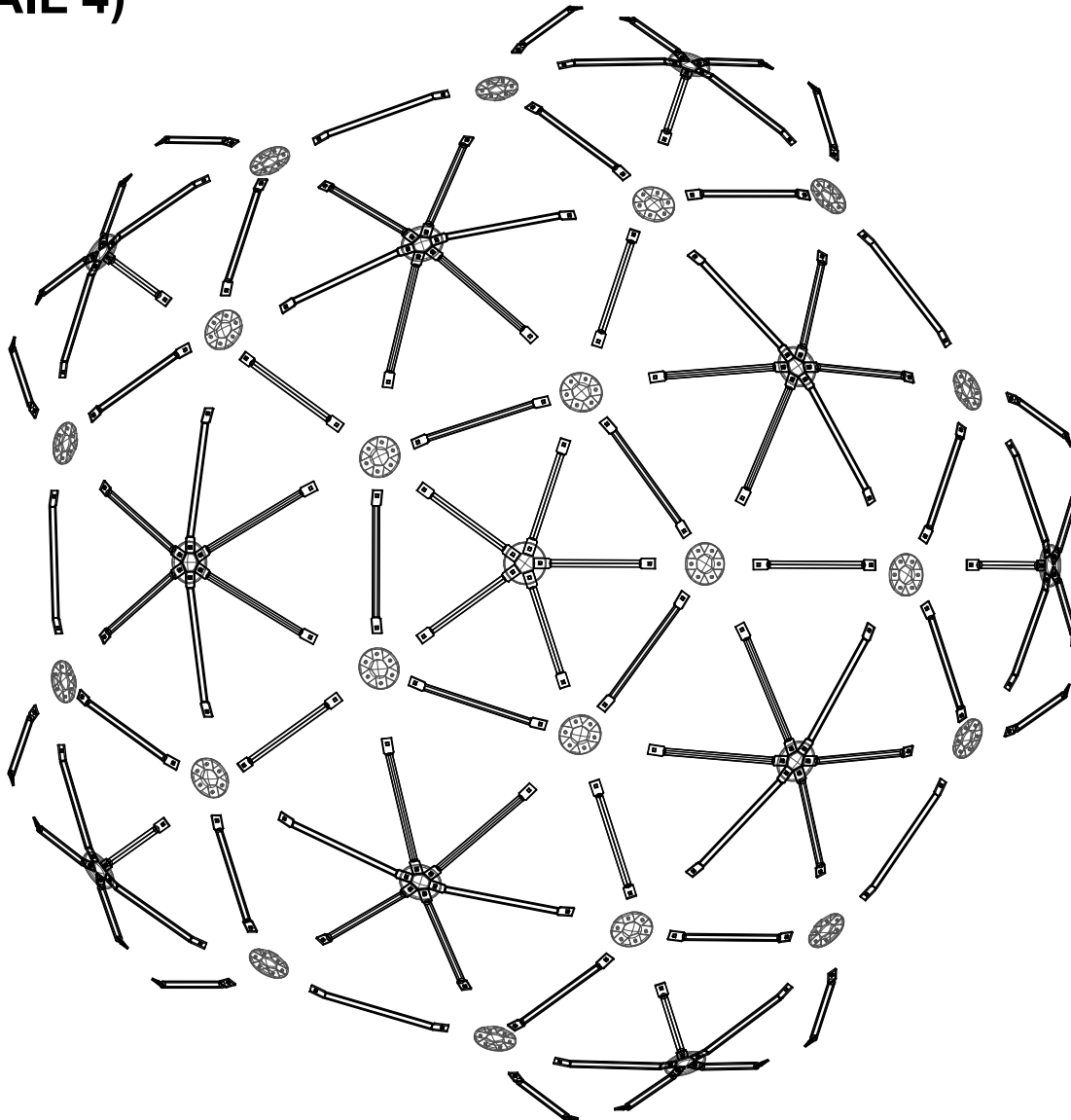
Dome with openings

(10'-0" ϕ x 4'-0" high / On stringers)

(35) 22-1/8" Tubes position for assembly

*11260

(DETAIL 4)



Hardware for tubes to disc

(35) 1-1/16" ϕ x 22-1/8" Tubings

3/8" x 1" Carriage bolts

3/8" Thin nylon lock nuts

Capsules

Plugs

(40150)

(42810)

(45150)

(45145)

ASSEMBLY PLAN

**Jambette Playground
Equipment**

700, Des Calfats, Lévis, Qc.

G6V 9E6

Tél. : (418) 837-8246

Fax : (418) 837-2916

Tél. : 1-877-363-2687

rev.: 10/04/03

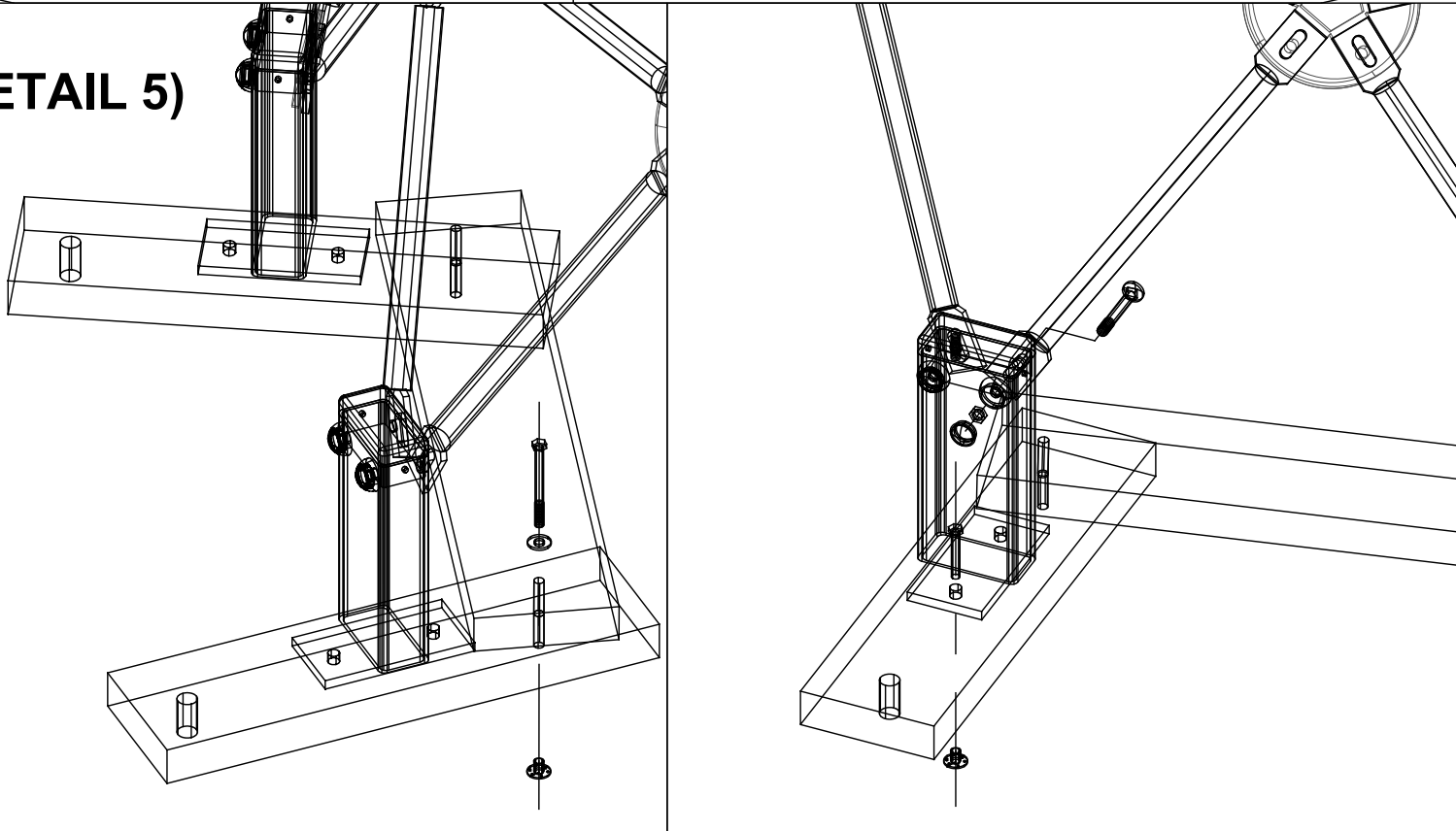
X

G-9442-D

Dome with openings

(10'-0"Ø x 4'-0" high / On stringers)

(DETAIL 5)



HOW TO FIX LEGS

- Bolt legs and tubes with 3/8" x 2-3/4" carriage bolts, 3/8" thin nylon lock nuts, capsules and plugs.
- Bolt legs to the 19-3/4" wooden stringers with 5/16" x 2" hexagonal bolts and 5/16" T-nuts. You have to drill 3/8" diameter holes in wood.
- Assembly the 19-3/4" stringers to the 26" ones with 5/16" x 3" hexagonal bolts, 7/16" flat washers and 5/16" T-nuts. Drill 3/8" diameter holes in wood.

Hardware for legs and tubes assembly :

(10) 11-7/8" Anchors	(*11259)
3/8" x 2-3/4" Carriage bolts	(40178)
3/8" Thin nylon lock nuts	(42810)
Capsules	(45150)
Plugs	(45145)

Hardware for legs to 19-3/4" stringers :

5/16" x 2" Hex. bolts (41710)
5/16" T-nuts (42830)

Hardware for legs to 19-3/4" stringers to 26" ones :

5/16" x 3" Hex. bolts (41725)
7/16" Flat washers (42435)
5/16" T-nuts (42830)

ASSEMBLY PLAN

**Jambette Playground
Equipment**

700, Des Calfats, Lévis, Qc.

G6V 9E6

Tél. : (418) 837-8246

Fax : (418) 837-2916

Tél. : 1-877-363-2687

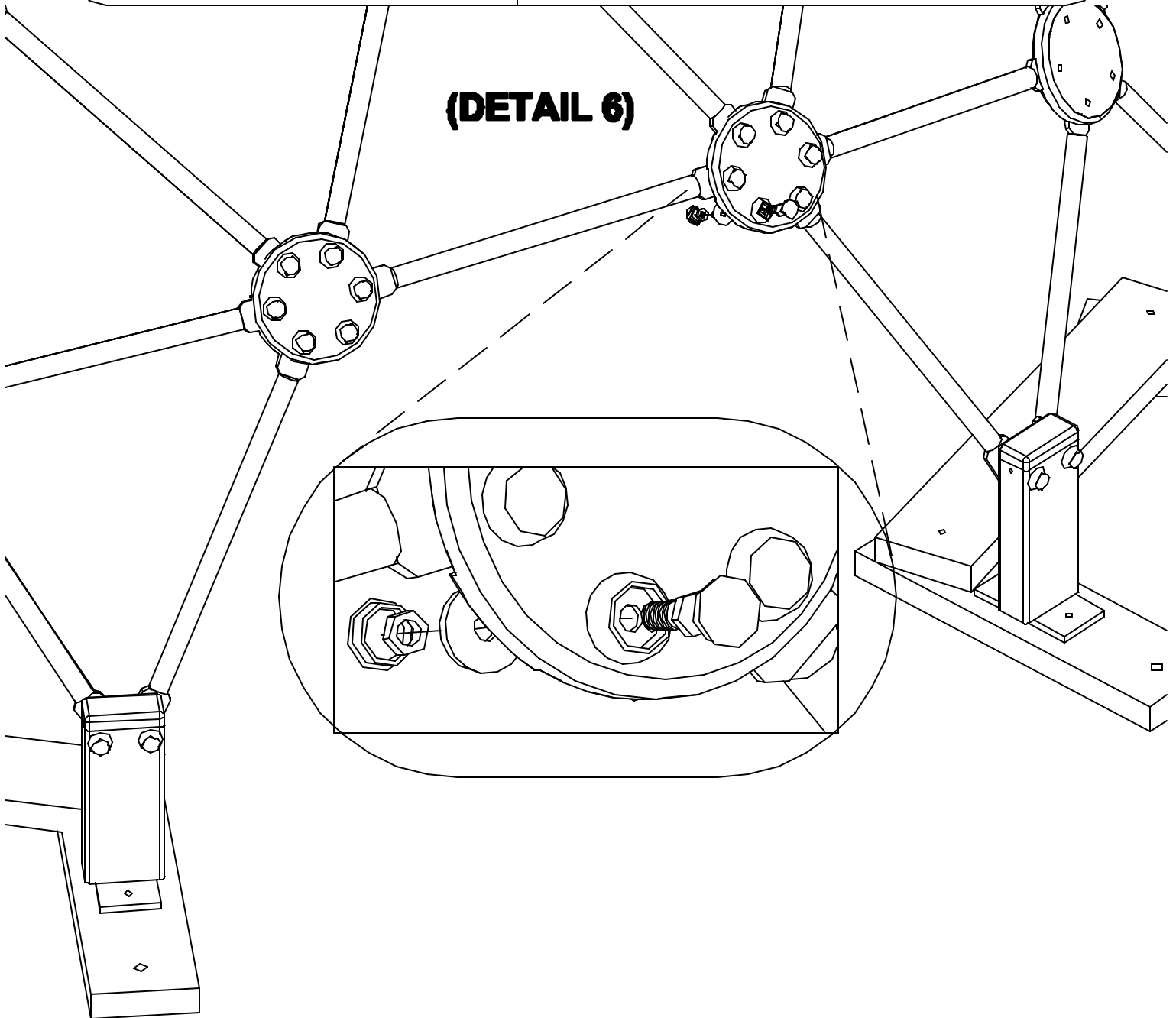
rev.: 10/04/03 X

G-9442-D

Dome with openings

{ 10'-0" \varnothing x 4'-0" high / On stringers }

(DETAIL 6)



Plug the unused holes :

3/8" x 1" Hex. bolts (41765)

3/8" Thin nylon lock nuts (42810)

Capsules (45150)

Plugs (45145)

ASSEMBLY PLAN

**Jambette Playground
Equipment**

700, Des Calfats, Lévis, Qc.

G6V 9E6

Tél. : (418) 837-8246

Fax : (418) 837-2916

Tél. : 1-877-363-2687

rev.: 10/04/03

X

G-9442-D

Dome with openings

{ 10'-0" \varnothing x 4'-0" high / On stringers }

Final product

