

# ASSEMBLY PLAN

**Jambette Playground  
Equipment**

700, Des Calfats, Lévis, Qc.

G6V 9E6

Tél. : (418) 837-8246

Fax : (418) 837-2916

Tél. : 1-877-363-2687

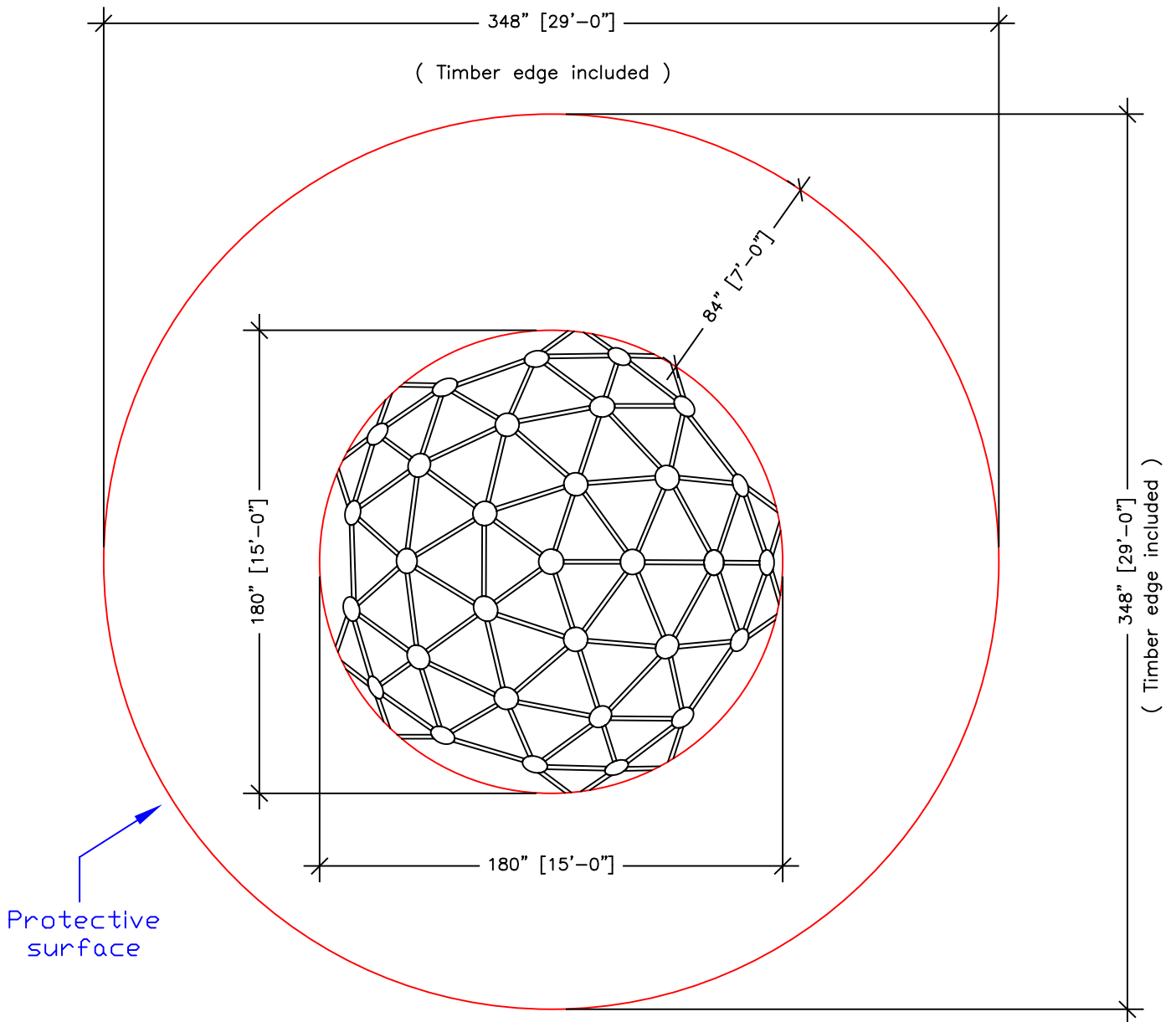
rev: 14/05/01

X

G-9441-D

Dome with openings

( 15'-0"  $\varnothing$  x 6'-0" high / On stringers )



## ASSEMBLY PLAN

**Jambette Playground  
Equipment**

700, Des Calfats, Lévis, Qc.

G6V 9E6

Tél. : (418) 837-8246

Fax : (418) 837-2916

Tél. : 1-877-363-2687

rev.: 10/04/03 X

G-9441-D

Dome with openings

{ 15'-0"  $\varnothing$  x 6'-0" high / On stringers }

### STEP BY STEP :

- 1 - Define where the structure will be placed on a relatively flat area.
- 2 - Assembly the 5 six tube stars ( Detail 1 ) and the 6 five tube stars ( Detail 2 ).
- 3 - Place on the ground the tube star assemblies and 20 aluminum discs with 6 notches ( Detail 3 ).
- 4 - Arrange the (35) 32-3/4" tubes ( Detail 4 ).
- 5 - Begin to assemble from the center. Don't tighten hardware with tool immediately to allow easier adjustments.
- 6 - When you completely finish assembly, tighten firmly all nylon lock nuts and insert all plugs in capsules.
- 7 - Bolt legs to dome and to wooden stringers.
- 8 - Mark stringers position on the ground. Move the dome and dig trenches 12" deep. Deposit stringers in the trenches, level the dome before filling.

# ASSEMBLY PLAN

**Jambette Playground  
Equipment**

700, Des Calfats, Lévis, Qc.

G6V 9E6

Tél. : (418) 837-8246

Fax : (418) 837-2916

Tél. : 1-877-363-2687

rev.: 30/11/01 X

G-9441-D

Dome with openings

{ 15'-0"  $\phi$  x 6'-0" high / On stringers }

## (DETAIL 1)

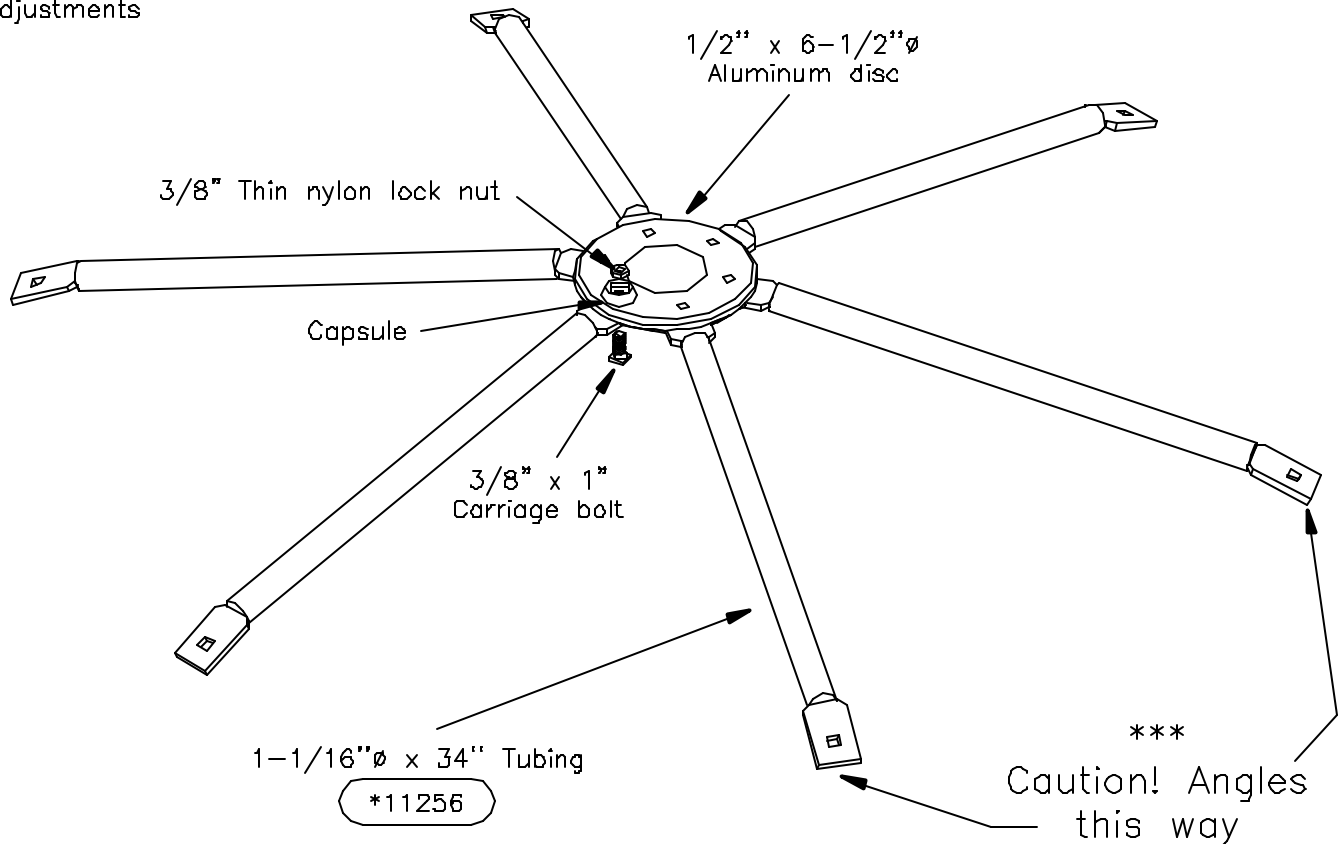
### (5) 6 Tube stars assembly

- 1 Aluminum disc with 6 notches
- 6 1-1/16"  $\phi$  x 34" Tubings

13352

\*11256

Don't tighten nuts immediately  
with tool to allow easier  
adjustments



#### Hardware for tubes to disc

3/8" x 1" Carriage bolts	(40150)
3/8" Thin nylon lock nuts	(42810)
Capsules	(45150)
Plugs	(45145)

## ASSEMBLY PLAN

**Jambette Playground  
Equipment**

700, Des Calfats, Lévis, Qc.

G6V 9E6

Tél. : (418) 837-8246

Fax : (418) 837-2916

Tél. : 1-877-363-2687

rev.: 30/11/01 X

G-9441-D

Dome with openings

{ 15'-0"  $\phi$  x 6'-0" high / On stringers }

### (DETAIL 2)

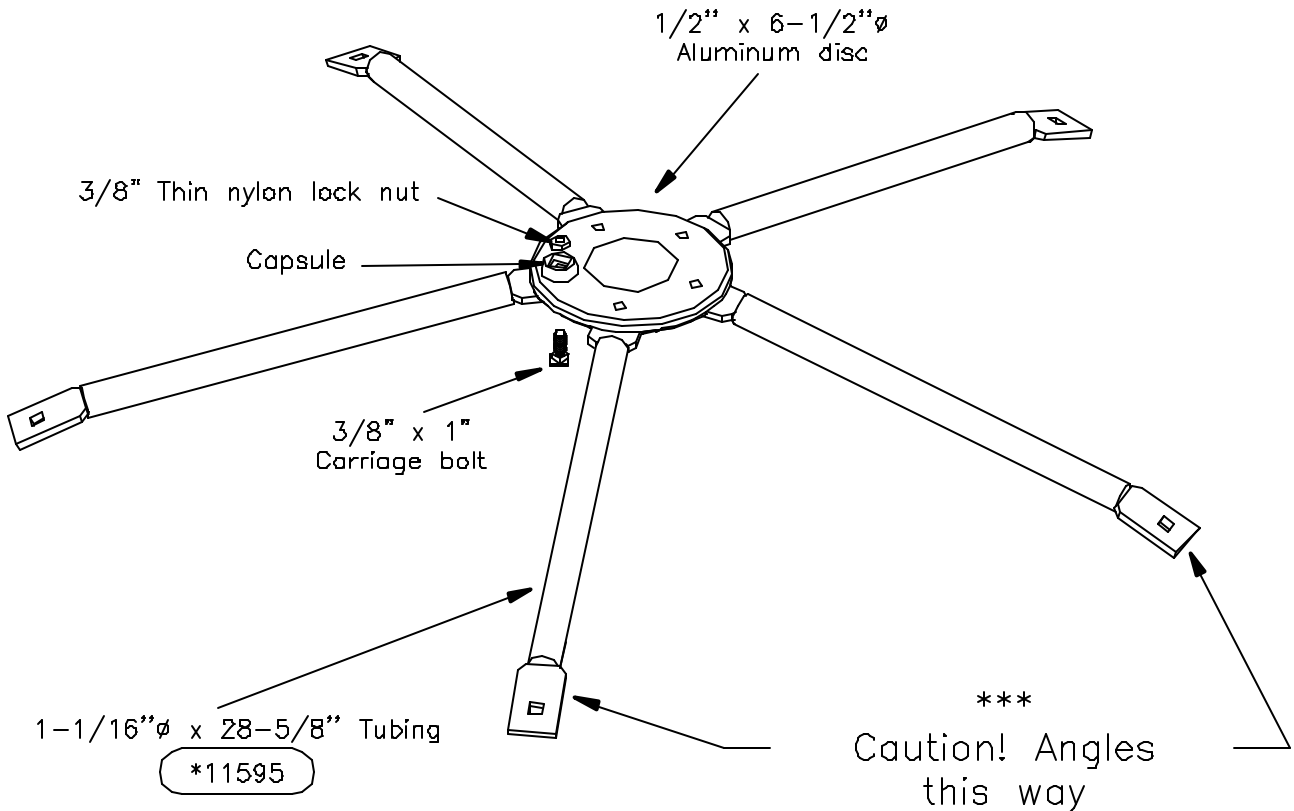
#### (6) 5 Tube stars assembly

- 1 Aluminum disc with 5 notches
- 5 1-1/16"  $\phi$  x 28-5/8" Tubings

13351

\*11596

Don't tighten nuts immediately  
with tool to allow easier  
adjustments



#### Hardware for tubes to disc

3/8" x 1" Carriage bolts	(40150)
3/8" Thin nylon lock nuts	(42810)
Capsules	(45150)
Plugs	(45145)

## ASSEMBLY PLAN

**Jambette Playground  
Equipment**

700, Des Calfats, Lévis, Qc.

G6V 9E6

Tél. : (418) 837-8246

Fax : (418) 837-2916

Tél. : 1-877-363-2687

rev.: 30/11/01 X

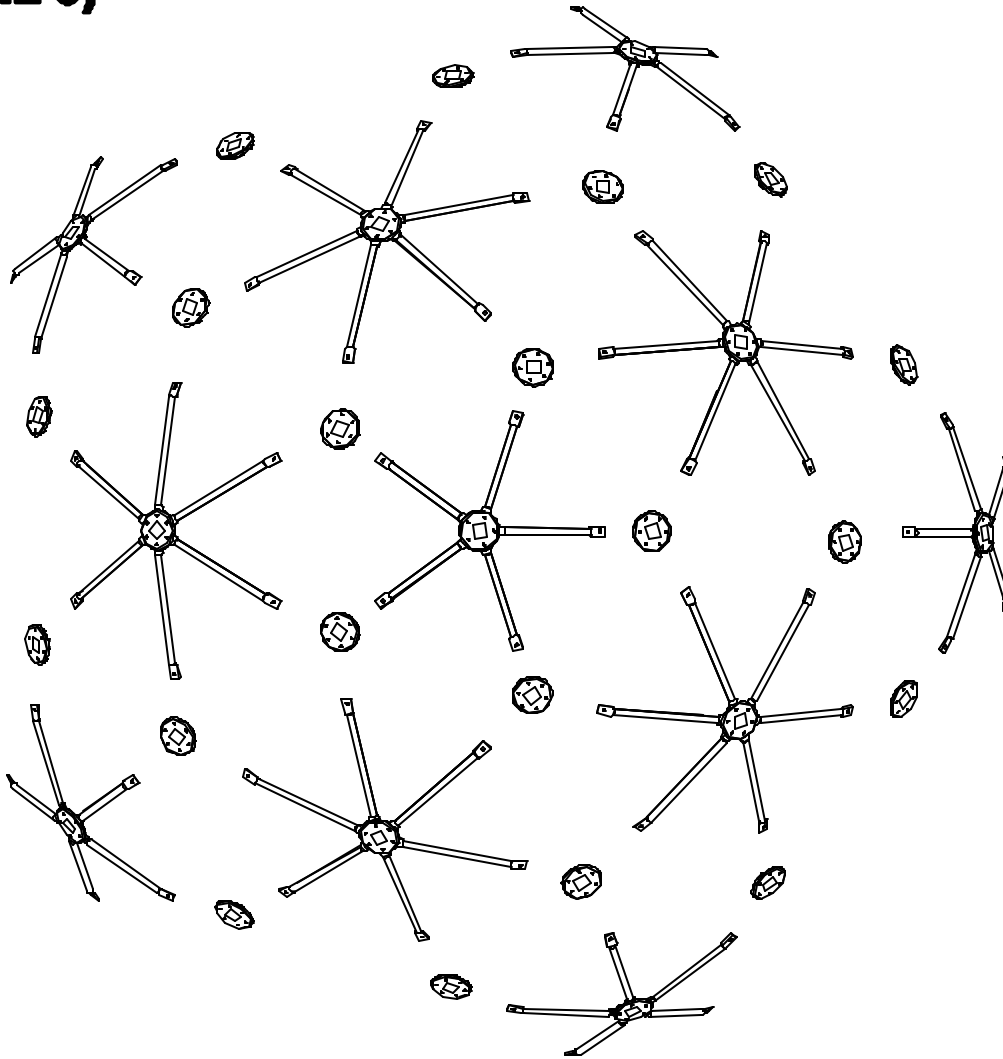
G-9441-D

Dome with openings

{ 15'-0"  $\varnothing$  x 6'-0" high / On stringers }

Stars and aluminum discs position for assembly.

### (DETAIL 3)



Hardware for tubes to disc

(6) 5-28-5/8" Tube stars

(5) 6-34" Tube stars

20 Aluminum discs with 6 notches

3/8" x 1" Carriage bolts

3/8" Thin nylon lock nuts

Capsules

Plugs

(40150)

(42810)

(45150)

(45145)

# ASSEMBLY PLAN

**Jambette Playground  
Equipment**

700, Des Calfats, Lévis, Qc.

G6V 9E6

Tél. : (418) 837-8246

Fax : (418) 837-2916

Tél. : 1-877-363-2687

rev.: 30/11/01 X

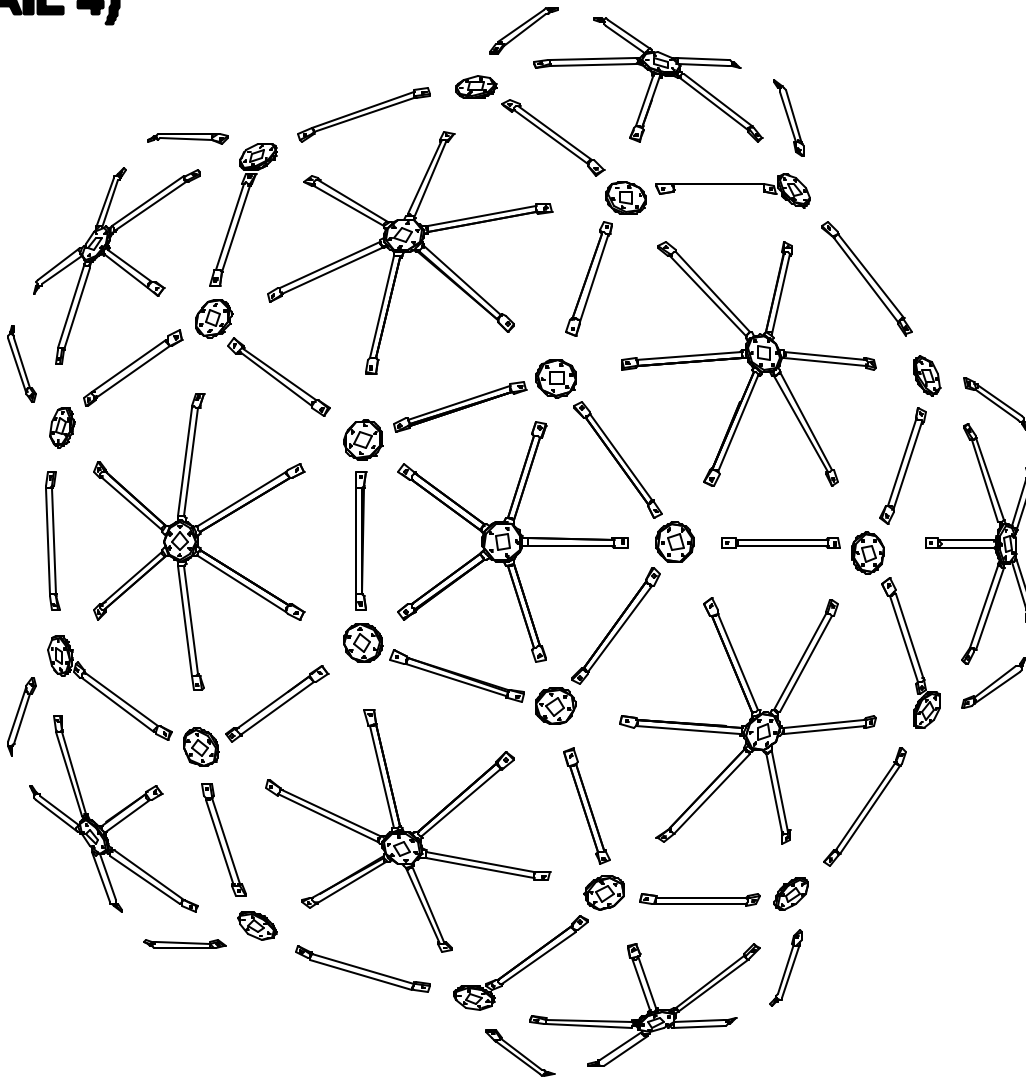
G-9441-D

Dome with openings

{ 15'-0"  $\phi$  x 6'-0" high / On stringers }

(35) 32-3/4" Tubes position for assembly \*11258

## (DETAIL 4)



### Hardware for tubes to disc

(35) 1-1/16"  $\phi$  x 32-3/4" Tubings

3/8" x 1" Carriage bolts

3/8" Thin nylon lock nuts

Capsules

Plugs

(40150)

(42810)

(45150)

(45145)

# ASSEMBLY PLAN

**Jambette Playground  
Equipment**

700, Des Calfats, Lévis, Qc.

G6V 9E6

Tél. : (418) 837-8246

Fax : (418) 837-2916

Tél. : 1-877-363-2687

rev.: 30/11/01

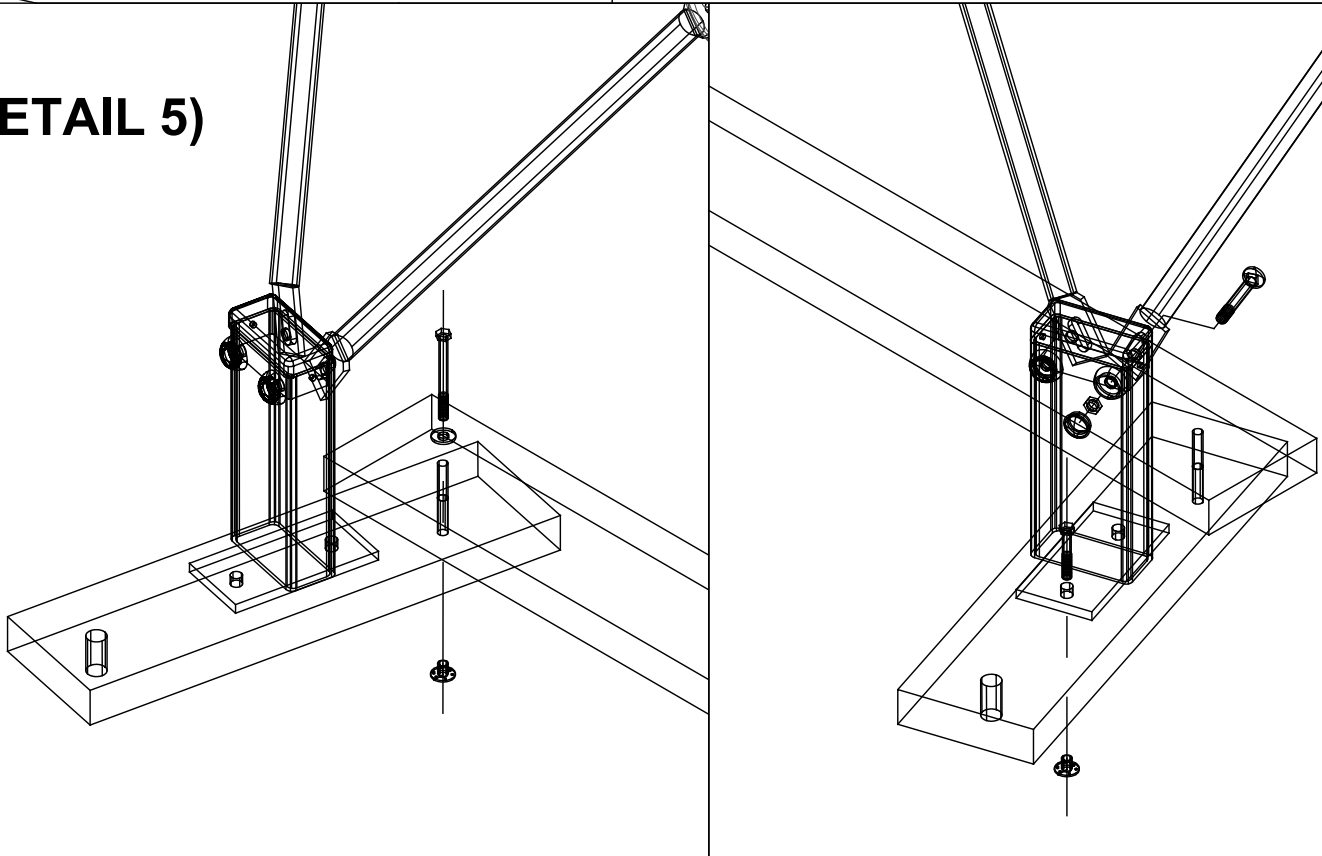
X

G-9441-D

Dome with openings

( 15'-0"Ø x 6'-0" high / On stringers )

## (DETAIL 5)



### HOW TO FIX LEGS

- Bolt legs and tubes with 3/8" x 2-3/4" carriage bolts, 3/8" thin nylon lock nuts, capsules and plugs.
- Bolt legs to the 19-3/4" wooden stringers with 5/16" x 2" hexagonal bolts and 5/16" T-nuts. You have to drill 3/8" diameter holes in wood.
- Assemble the 19-3/4" stringers to the 39-3/4" ones with 5/16" x 3" hexagonal bolts, 7/16" flat washers and 5/16" T-nuts. Drill 3/8" diameter holes in wood.

#### Hardware for legs and tubes assembly :

(10) 11-7/8" Anchors	(*11259)
3/8" x 2-3/4" Carriage bolts	(40178)
3/8" Thin nylon lock nuts	(42810)
Capsules	(45150)
Plugs	(45145)

#### Hardware for legs to 19-3/4" stringers :

5/16" x 2" Hex. bolts (41710)  
5/16" T-nuts (42830)

#### Hardware for legs to 19-3/4" stringers to 39-3/4" ones :

5/16" x 3" Hex. bolts (41725)  
7/16" Flat washers (42435)  
5/16" T-nuts (42830)

## ASSEMBLY PLAN

**Jambette Playground  
Equipment**

700, Des Calfats, Lévis, Qc.

G6V 9E6

Tél. : (418) 837-8246

Fax : (418) 837-2916

Tél. : 1-877-363-2687

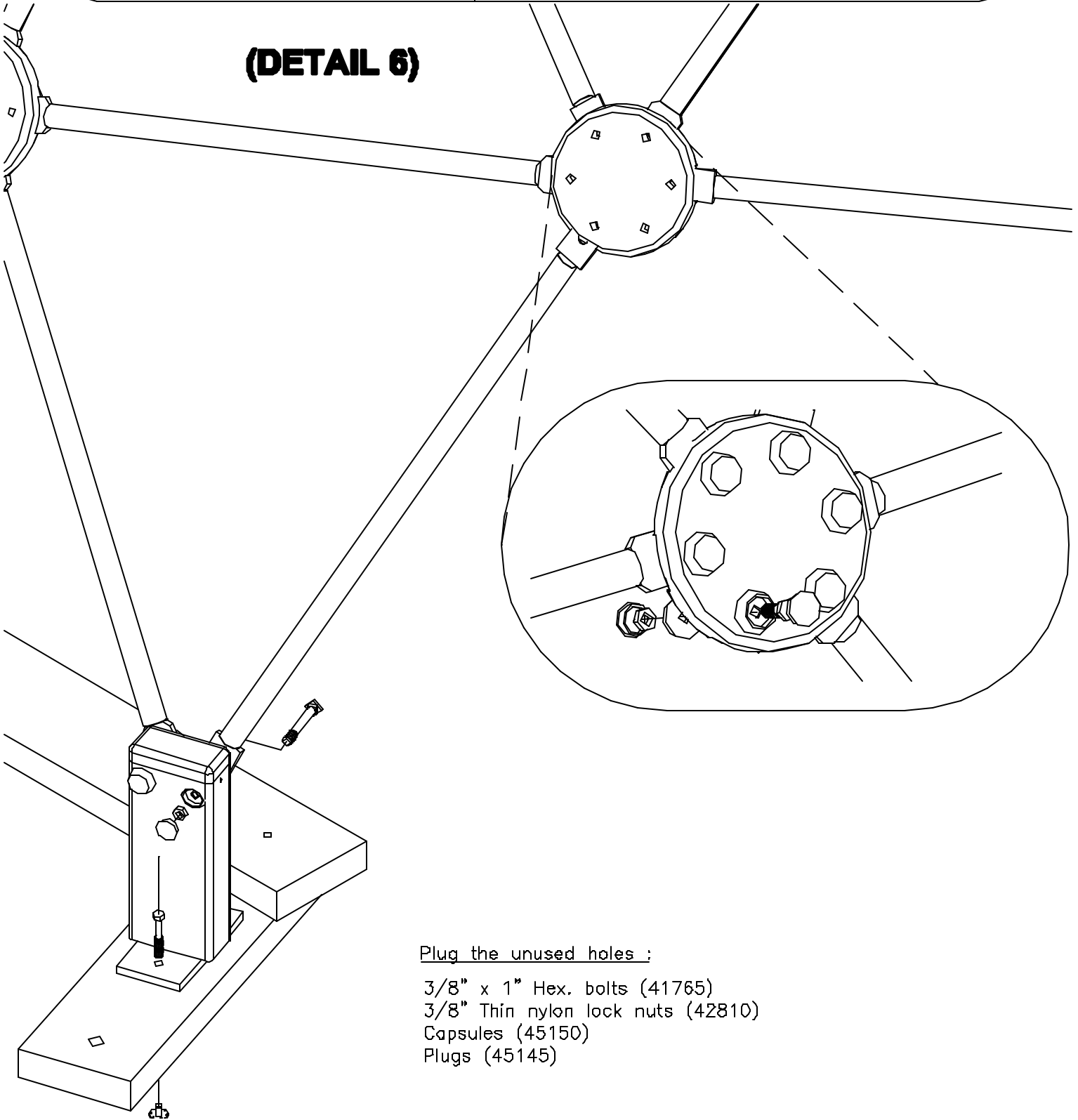
rev.: 10/04/03 X

G-9441-D

Dome with openings

{ 15'-0"  $\varnothing$  x 6'-0" high / On stringers }

**(DETAIL 6)**



Plug the unused holes :

3/8" x 1" Hex. bolts (41765)

3/8" Thin nylon lock nuts (42810)

Capsules (45150)

Plugs (45145)



# ASSEMBLY PLAN

**Jambette Playground  
Equipment**

700, Des Calfats, Lévis, Qc.

G6V 9E6

Tél. : (418) 837-8246

Fax : (418) 837-2916

Tél. : 1-877-363-2687

rev.: 10/04/03 X

G-9441-D

Dome with openings

{ 15'-0"  $\varnothing$  x 6'-0" high / On stringers }

Final product

