

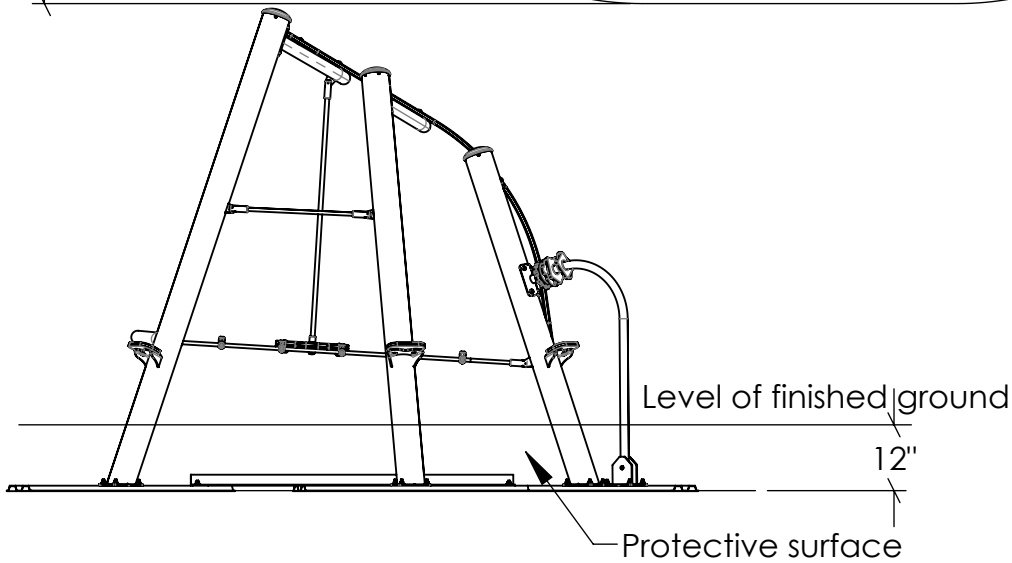
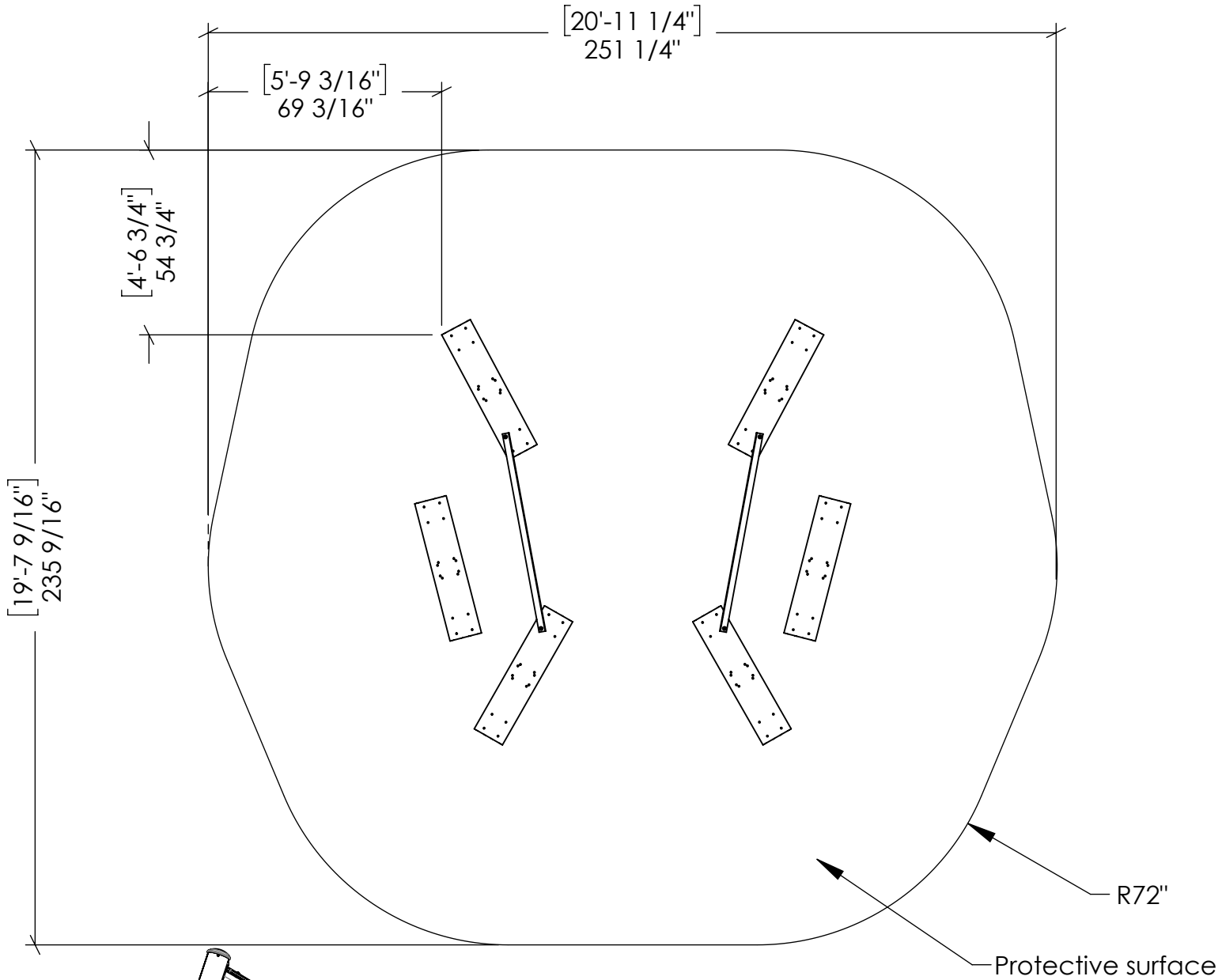
ASSEMBLY PLAN

22/03/2021

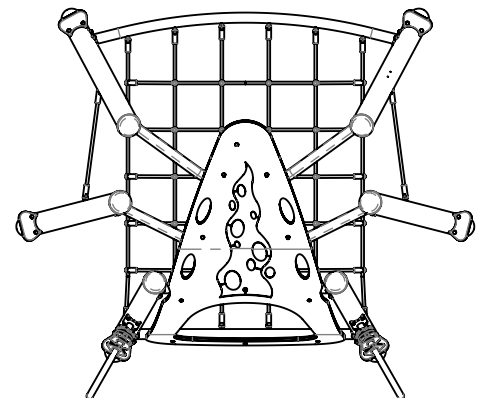
M.R

The Beastie Rope

CSA + ASTM



Plan view of the product:



ASSEMBLY PLAN

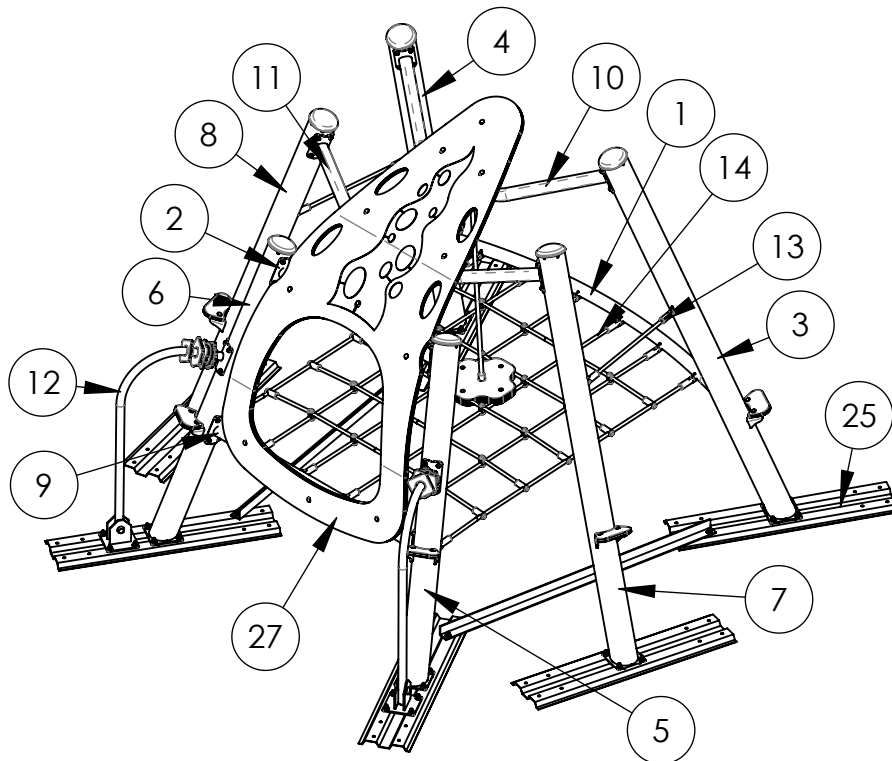
The Beastie Rope

CSA + ASTM

22/03/2021

M.R

Item	Description	Qty.	Number
1	72" Beastie back net structure	1	*15088
2	40" Beastie top structure	1	*15092
3	5 dia*92" Beastie Post Rope (6x6 plate) (Right)	1	a15660
4	5 dia*92" Beastie Post Rope (6x6 plate) (Left)	1	a15661
5	5 dia*65" Beastie Post Rope (6x6 plate) (Right)	1	a15662
6	5 dia*65" Beastie Post Rope (6x6 plate) (Left)	1	a15663
7	5 dia*80" Beastie Post Rope (6x6 plate) (Right)	1	a15664
8	5 dia*80" Beastie Post Rope (6x6 plate) (Left)	1	a15665
9	52" Beastie front net structure Rope	1	a15670
10	53" Beastie top structure Rope	1	a15668
11	59" Beastie top structure	1	*15094
12	Beastie manipulation leg	2	*34360
13	22-1/2" Cable	2	a64079
14	Beastie Cable net	1	a64080
15	3/8*1-1/2 Stainless steel carr.bolt	11	40161
16	3/8*1-1/4 HDG Carr. Bolt	36	40465
17	7/16 Flat washer	36	42435
18	3/8 HDG Spring Lock Washer	83	42565
19	3/8 HDG Hex Nut	36	42730
20	3/8 St/St thin nylon lock nut	11	42811
21	Plug	11	45145
22	Capsule	11	45150
23	M6-1 x 25mm Flat Hd Torx Security Cap Screws Stainless Steel	17	47027
24	3/8 -16 x 1-1/4 Button Hd Torx Security Cap Screws Stainless Steel	48	47030
25	9-5/8*42" Steel stringer (16 holes) (Galvanized)	6	123454
26	2*2*59-3/4 angle (Beastie stringer)	2	135031
27	3/4 * 90-1/2 * 46-9/16 Dual-colour panel (Beastie body)	1	336241



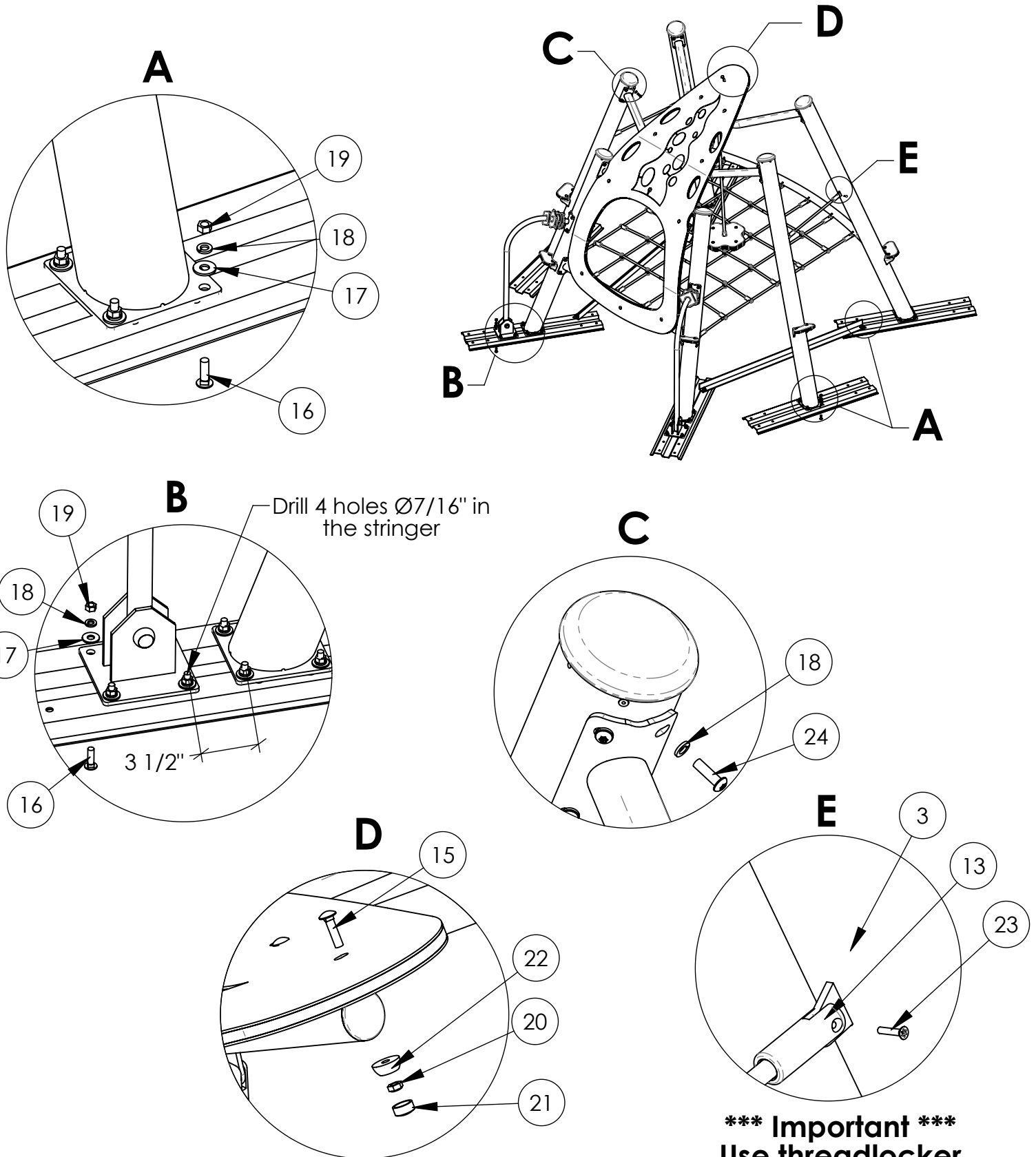
ASSEMBLY PLAN

The Beastie Rope

CSA + ASTM

22/03/2021

M.R



***** Important ***
Use threadlocker
on each bolt**