

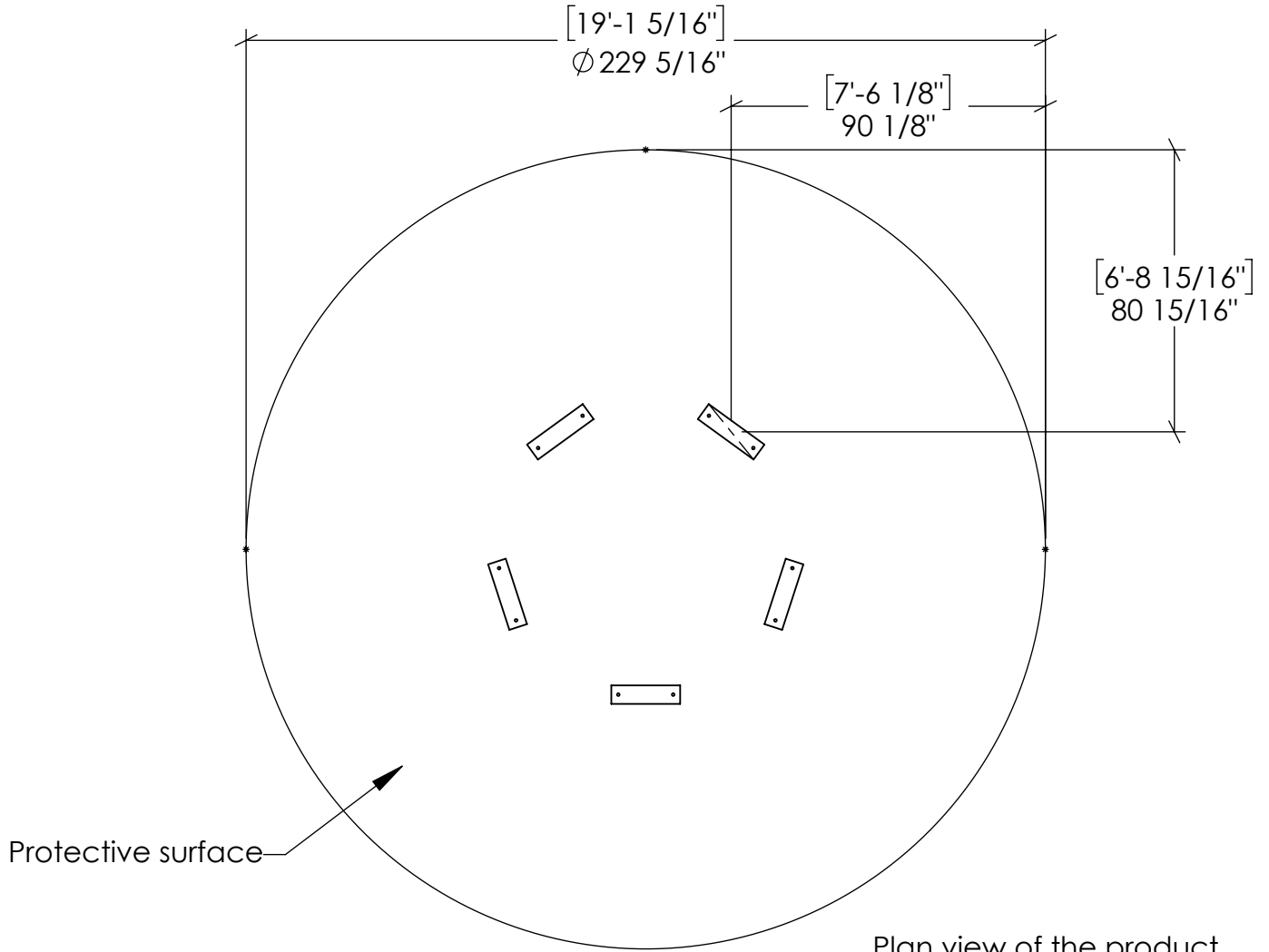
ASSEMBLY PLAN

The tipi climber

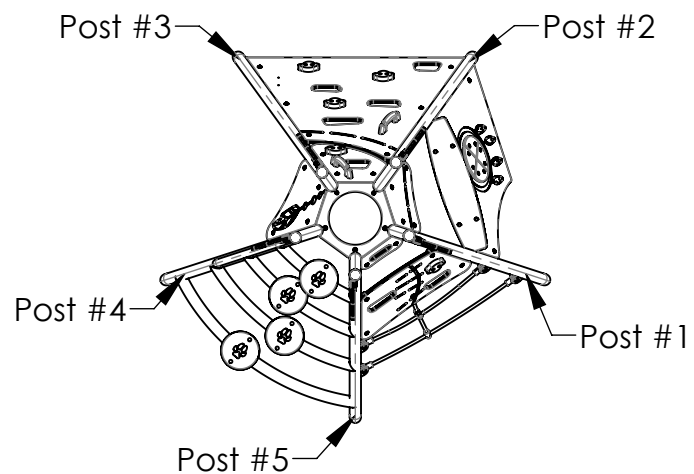
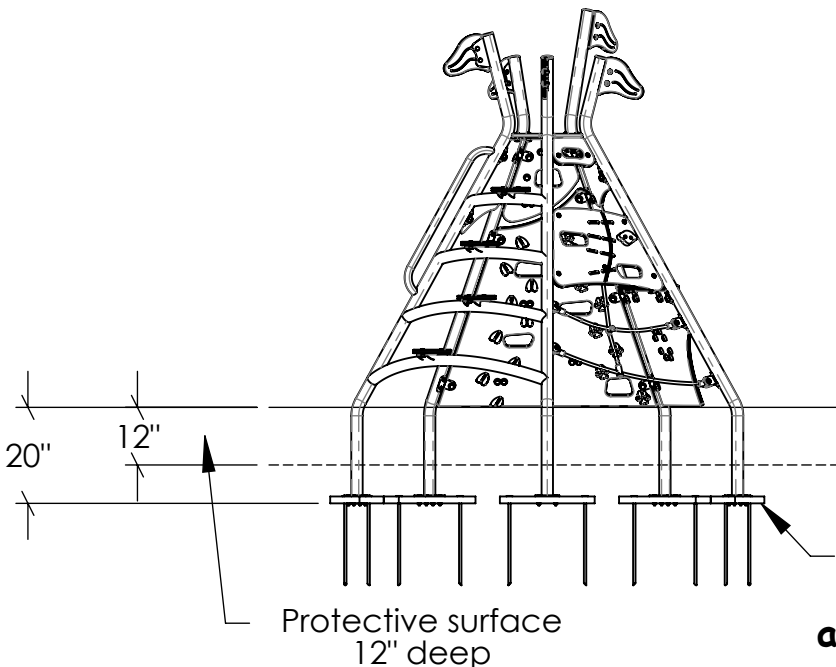
CSA+ASTM

13/07/2021

GMR



Plan view of the product



**Dig trenches 20" deep.
Allow an additional 6"
around the steel stringers**

ASSEMBLY PLAN

13/07/2021

GMR

The tipi climber

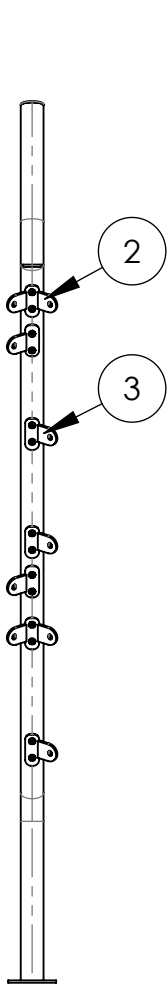
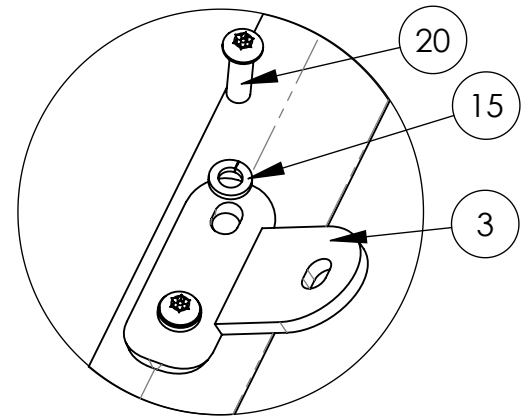
CSA+ASTM

IMPORTANT

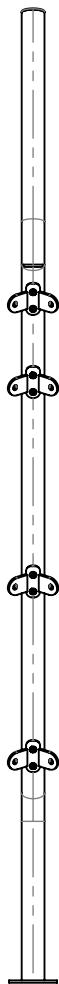
READ CAREFULLY

Before starting to assemble the Tipi

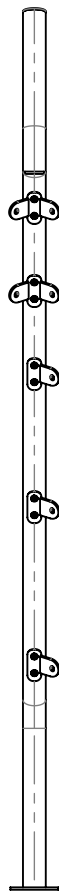
Only slightly thread the nuts and bolts (the minimum amount) - **DO NOT TIGHTEN** - Keeping them loose is the only way to assemble the various subsequent components without difficulty



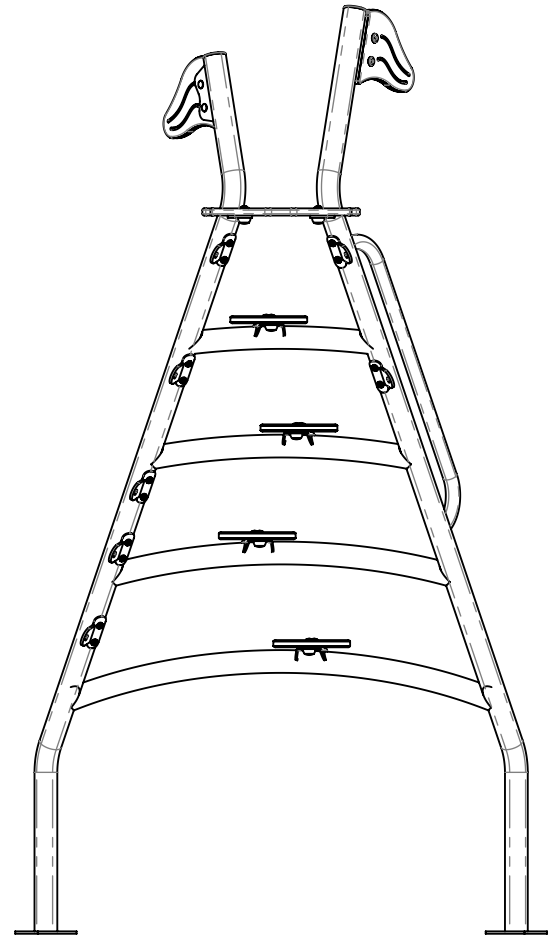
Post #1



Post #2



Post #3



Post #5

Post #4

ASSEMBLY PLAN

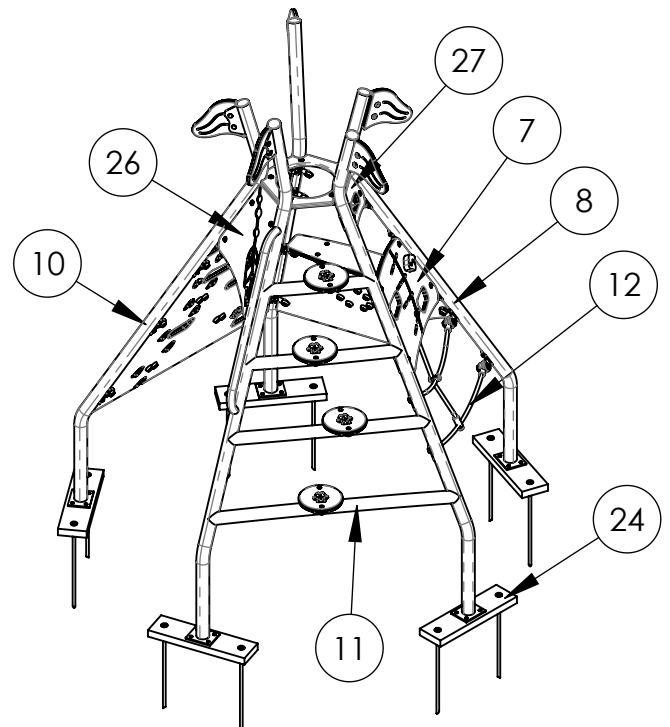
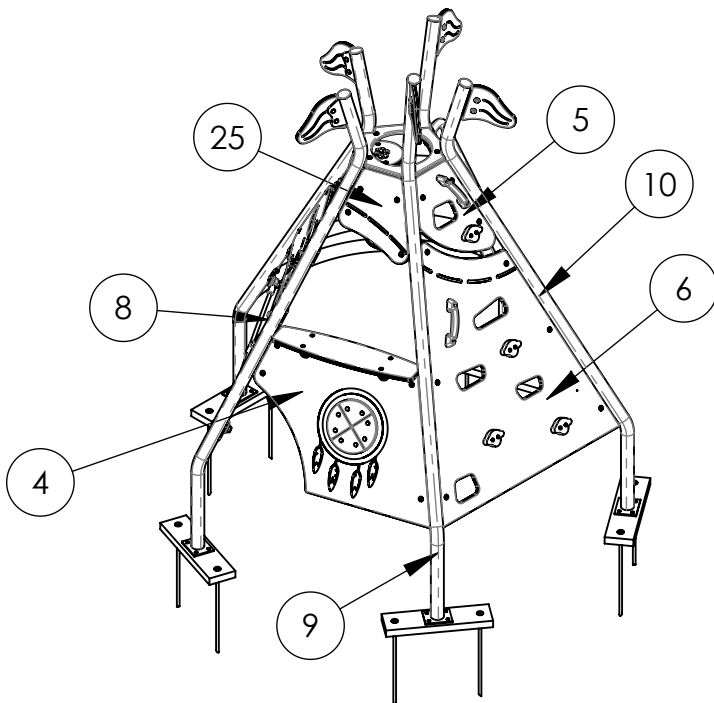
The tipi climber

CSA+ASTM

13/07/2021

GMR

Item	Description	Qty.	Number
1	1/2" x 19" Anchor peg (Oiled)	10	α11764
2	Double panel bracket for Tipi gv.	8	*14344
3	Single panel bracket for Tipi gv.	15	*14346
4	Tipi Game Counter	1	*33966
5	Top section climbing wall (Tipi)	1	*33967
6	Bottom section climbing wall (Tipi)	1	*33968
7	Wall for cable net (Tipi)	1	*33969
8	#1 Post Tipi Climber	1	*33970
9	#2 Post Tipi Climber	1	*33971
10	#3 Post Tipi Climber	1	*33972
11	#4-5 Post Tipi Climber	1	*33973
12	Rope net (The tipi climber)	1	α64108
13	5/16*2 Hex. Bolt	20	41710
14	3/8 Stainless flat washer	35	42470
15	3/8 HDG Spring Lock Washer	46	42565
16	3/8 St/St thin nylon lock nut	35	42811
17	5/16 T-Nut	20	42830
18	Plug	35	45145
19	Capsule	35	45150
20	3/8 -16 x 1-1/4 Button Hd Torx Security Cap Screws Stainless Steel	46	47030
21	3/8 -16 x 1-1/2 Button Hd Torx Security Cap Screws Stainless Steel	30	47031
22	3/8 -16 x 2 Button Hd Torx Security Cap Screws Stainless Steel	4	47033
23	3/8 -16 x 2-1/4 Button Hd Torx Security Cap Screws Stainless Steel	1	47034
24	2*6*19-3/4 Recycled plastic (2 holes 3/4Ø)	5	330957
25	3/4 * 15-1/16 * 15-5/8 Dual-colour panel (Wall over counter)	1	335597
26	3/4 * 18-3/8 * 21-3/4 Dual-colour panel (Feather wall)	1	335598
27	3/4 * 10-1/2 * 6-5/8 Dual-colour panel (Handle wall)	1	335600
28	3/4 * 1-3/4Ø Black plastic	5	336697
29	1/2 * 2-1/8 Ø black plastic	5	336698



ASSEMBLY PLAN

13/07/2021

GMR

The tipi climber

CSA+ASTM

