

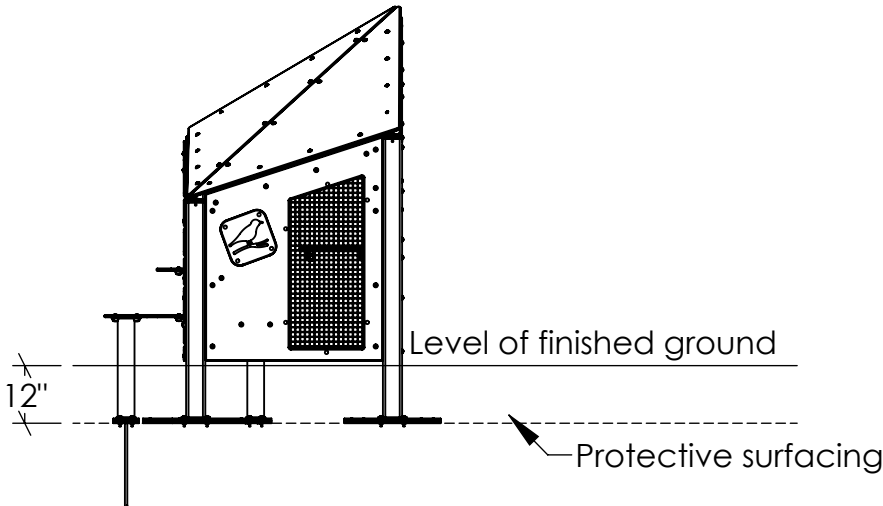
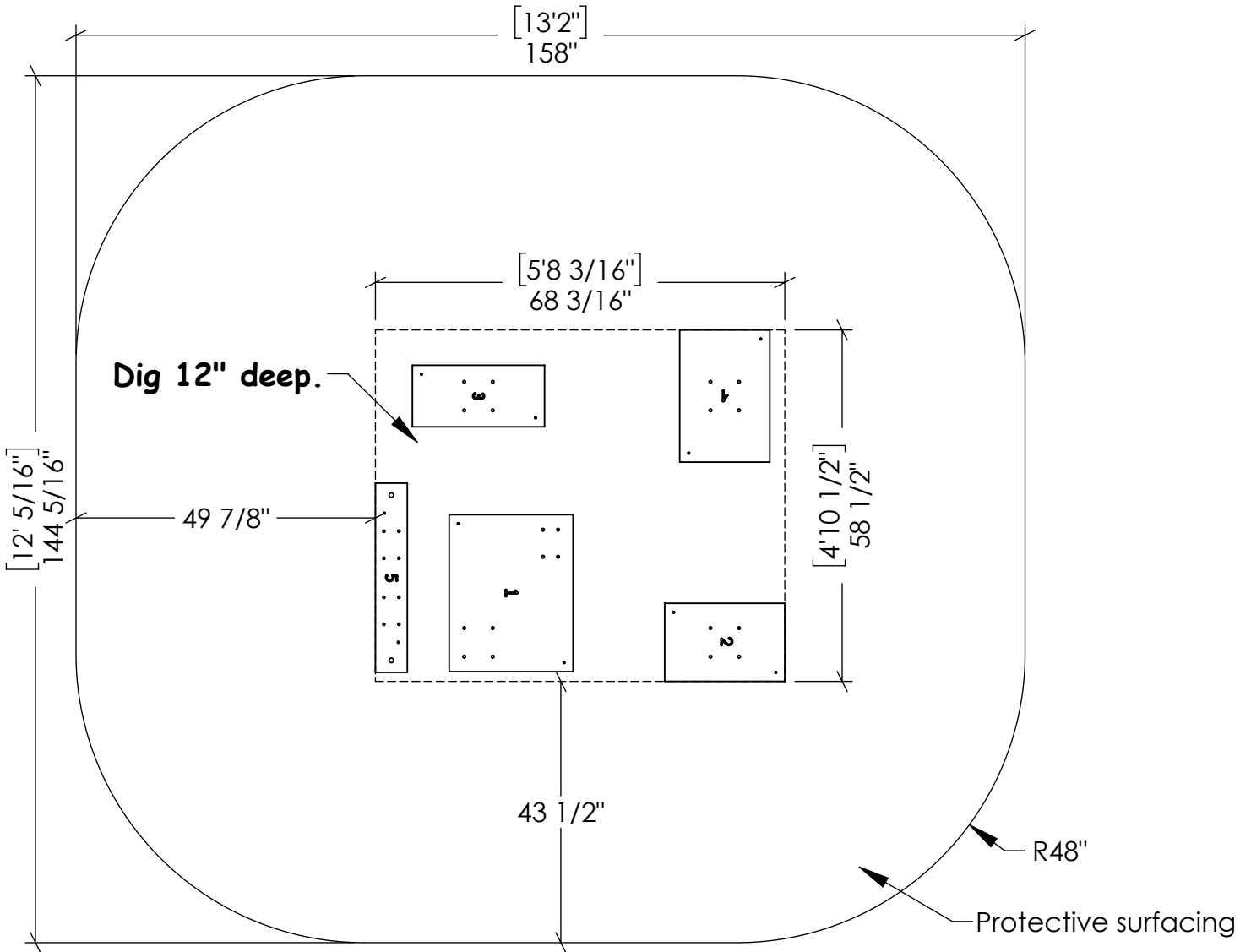
ASSEMBLY PLAN

31/05/2023

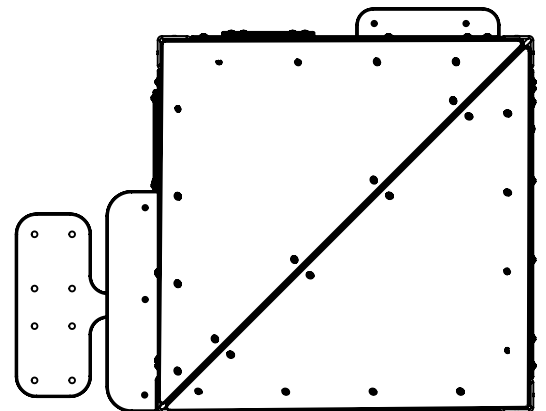
MC

CitipleX Villa

CSA+ASTM



Plan view of the product:



*Although this product does not require protective surfacing, it is recommended to provide sufficient space. See clause 14.10.1 of CAN/CSA-Z614 standard and clause 9.8.1 of ASTM F1487 standard.

ASSEMBLY PLAN

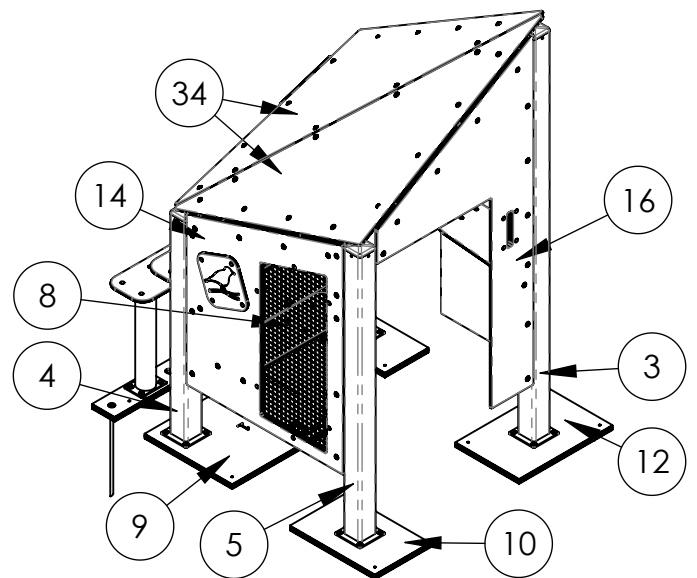
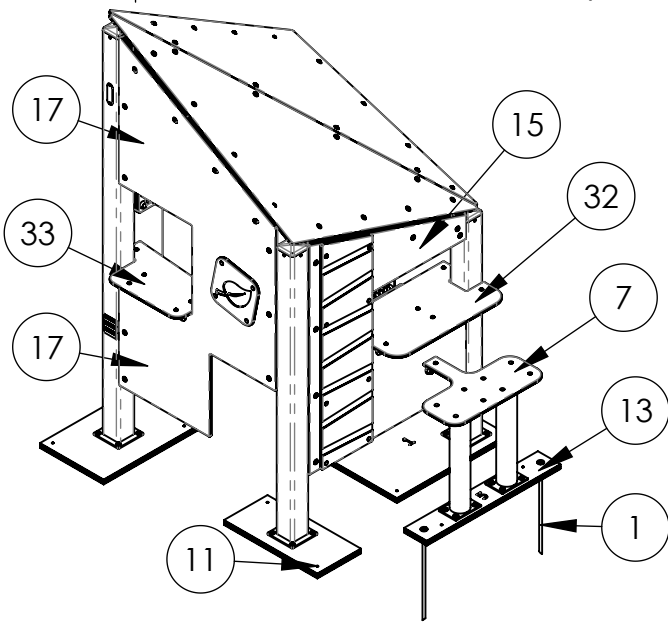
31/05/2023

MC

CitipleX Villa

CSA+ASTM

Item	Description	Qty.	Number
1	1/2" x 19" Anchor peg (Oiled)	2	α11764
2	Gv corner brace 3/16*2-1/4*2-1/4	42	α13504
3	4*4*82 Aluminum post with 6*6 plate (The villa)	1	α14129
4	4*4*44-3/4 Aluminum post with 6*6 plate (The villa)	1	*14914
5	4*4*58 Aluminum post with 6*6 plate (The villa)	2	α14916
6	Aluminium plate Villa roof support	1	α16280
7	Outside bench (The villa)	1	*34244
8	Inside bench (The villa)	1	*34245
9	The villa stringer #1 (26-1/8 * 20-5/8)	1	α34246
10	The villa stringer #2 (13 * 20)	1	α34247
11	The villa stringer #3 (10-1/4 * 22)	1	α34248
12	The villa stringer #4 (15 * 22)	1	α34249
13	The villa stringer #5 (31-1/2 * 5-5/16)	1	α34250
14	Wire mesh insert wall (HPL 46-5/8*37)	1	α34686
15	Stripe wall (HPL 46-5/8*37)	1	α34689
16	Door wall with bell (HPL 71-1/4*37)	1	α35135
17	Leaf panel wall (HPL 71-1/4*37)	1	α35136
18	5/16*2 Hex. Bolt	28	41710
19	3/8 Flat washer	28	42430
20	5/16 St/St Flat Washer	2	42465
21	3/8 Stainless flat washer	104	42470
22	3/8 HDG Spring Lock Washer	31	42565
23	5/16 St/St Thin nylon lock nut	4	42772
24	3/8 St/St thin nylon lock nut	87	42811
25	5/16 T-Nut	28	42830
26	Plug	91	45145
27	Capsule	91	45150
28	3/8 -16 x 1-1/4 Button Hd Torx Security Cap Screws Stainless Steel	120	47030
29	3/8 -16 x 1-3/4 Button Hd Torx Security Cap Screws Stainless Steel	2	47032
30	Al Corner brace hex. roof (J3)(120deg.)	8	135040
31	Al Corner brace hex. roof (J3)(780g.)	8	135046
32	1/2 * 15 * 26-7/16 Dual-colour plastic (Table)	1	336813
33	1/2 * 11-7/8 * 20-11/16 Dual-colour plastic (counter)	1	336814
34	1/2 * 51 * 46-1/2 Black panel (Vila roof)	2	337443



ASSEMBLY PLAN

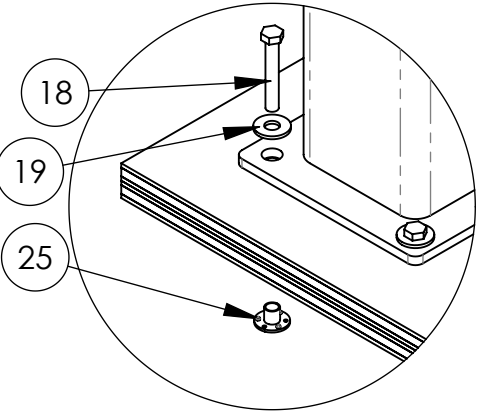
31/05/2023

MC

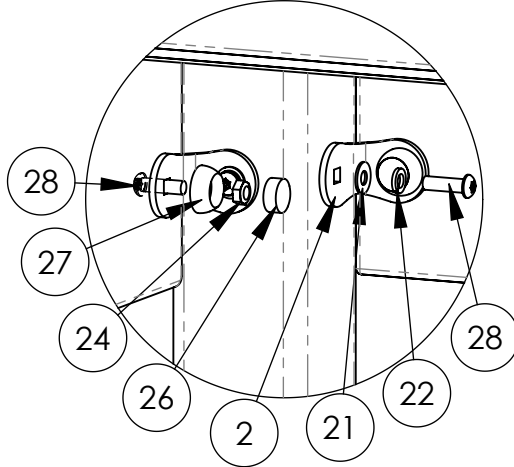
CitipleX Villa

CSA+ASTM

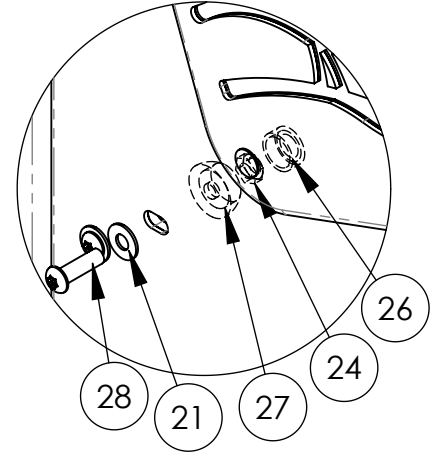
A



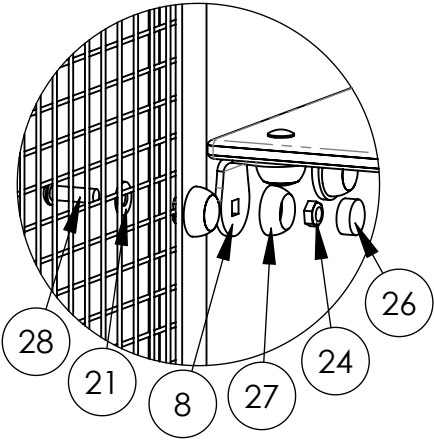
B



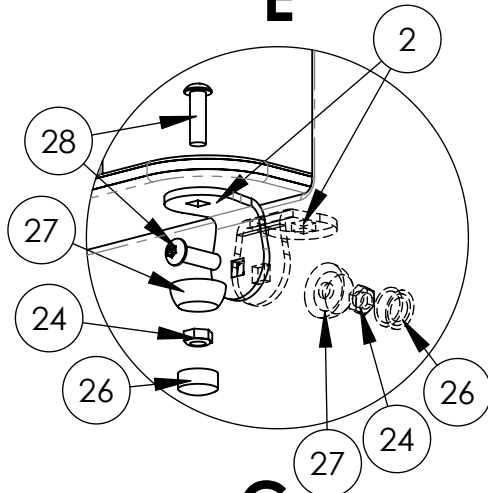
C



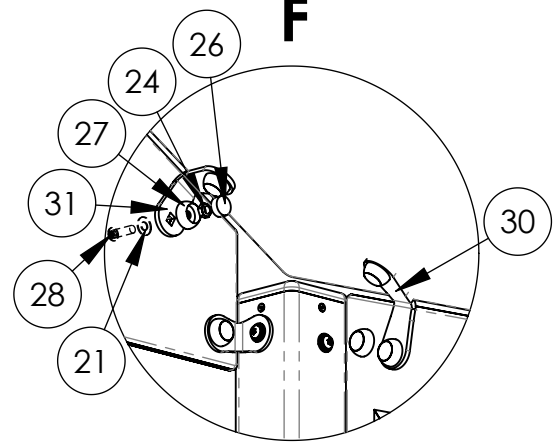
D



E



F



G

