

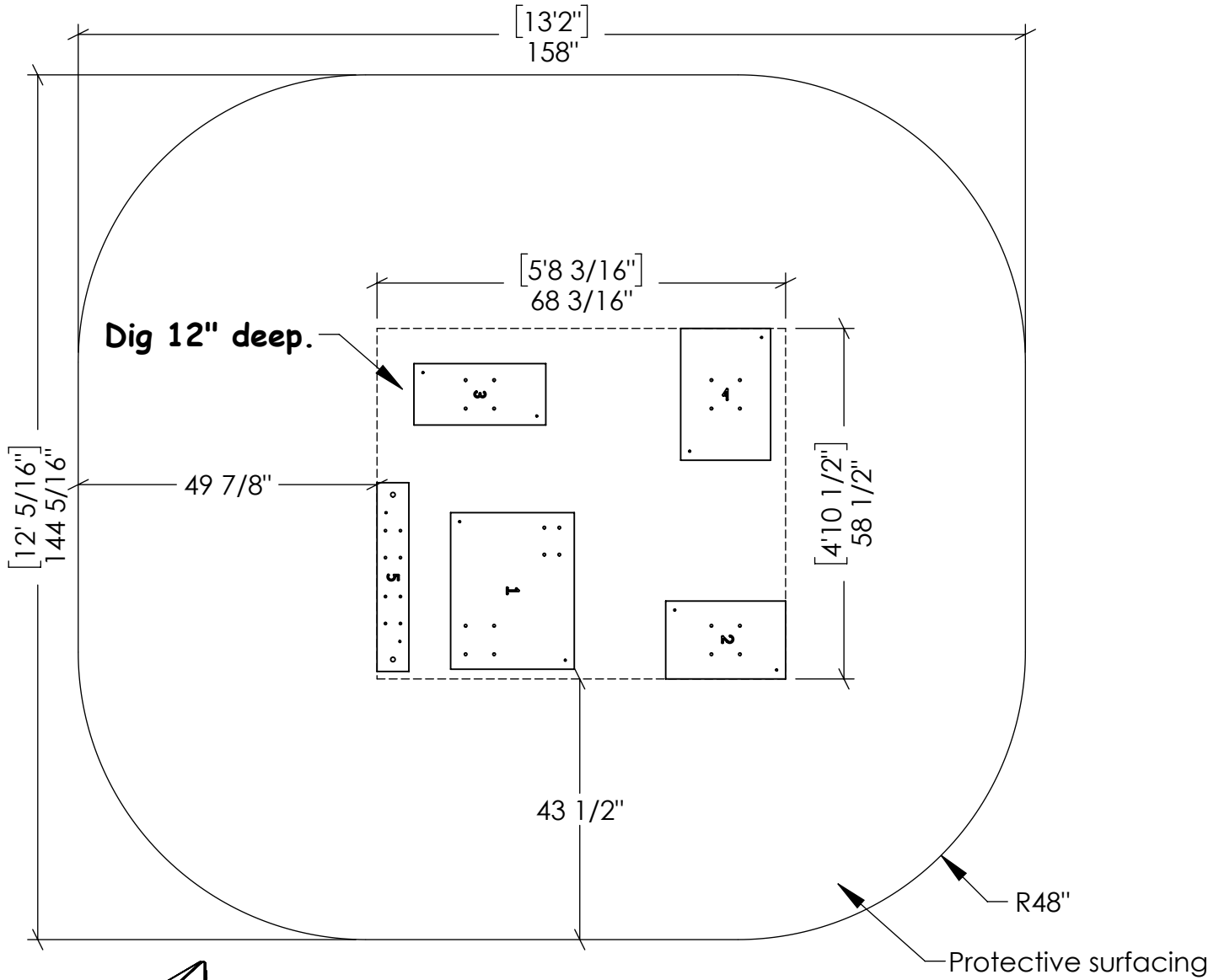
ASSEMBLY PLAN

07/06/2023

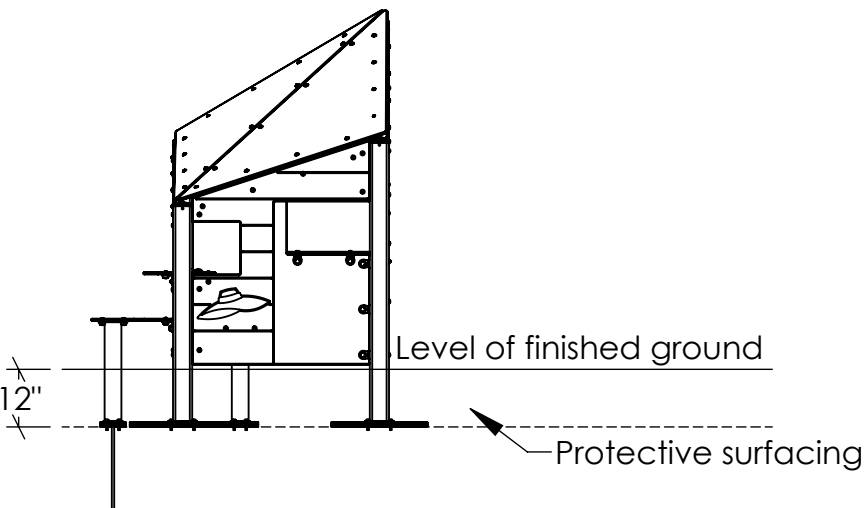
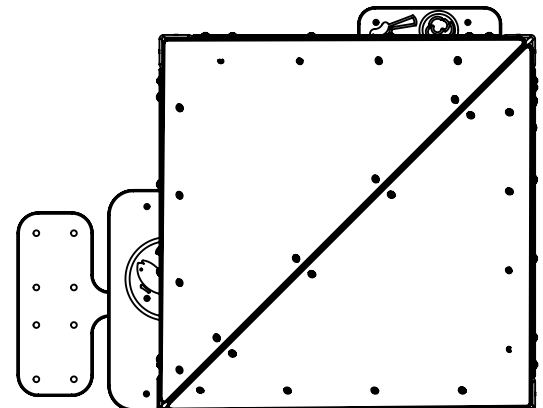
MC

Beach Villa

CSA+ASTM



Plan view of the product:



*Although this product does not require protective surfacing, it is recommended to provide sufficient space. See clause 14.10.1 of CAN/CSA-Z614 standard and clause 9.8.1 of ASTM F1487 standard.

ASSEMBLY PLAN

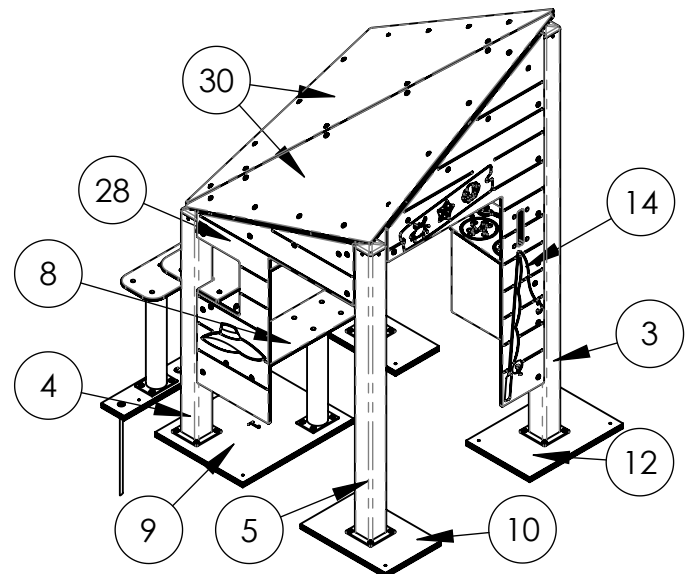
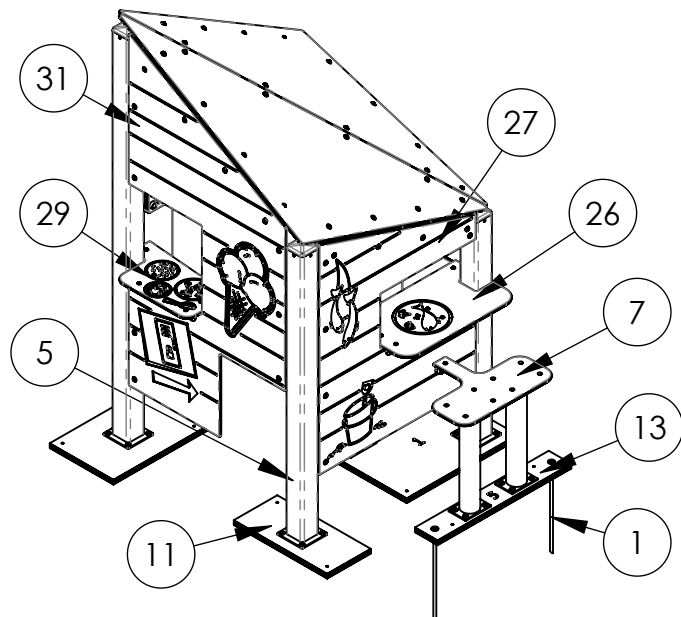
07/06/2023

MC

Beach Villa

CSA+ASTM

Item	Description	Qty.	Number
1	1/2" x 19" Anchor peg (Oiled)	2	a11764
2	Gv corner brace 3/16*2-1/4*2-1/4	39	a13504
3	4*4*82 Aluminum post with 6*6 plate (The villa)	1	a14129
4	4*4*44-3/4 Aluminum post with 6*6 plate (The villa)	1	*14914
5	4*4*58 Aluminum post with 6*6 plate (The villa)	2	a14916
6	Aluminium plate Villa roof support	1	a16280
7	Outside bench (The villa)	1	*34244
8	Inside bench (The villa)	1	*34245
9	The villa stringer #1 (26-1/8 * 20-5/8)	1	a34246
10	The villa stringer #2 (13 * 20)	1	a34247
11	The villa stringer #3 (10-1/4 * 22)	1	a34248
12	The villa stringer #4 (15 * 22)	1	a34249
13	The villa stringer #5 (31-1/2 * 5-5/16)	1	a34250
14	Door fishing rod wall (71-9/16*37)(Beach Villa)	1	a35138
15	5/16*2 Hex. Bolt	28	41710
16	3/8 Flat washer	28	42430
17	3/8 Stainless flat washer	100	42470
18	3/8 HDG Spring Lock Washer	28	42565
19	3/8 St/St thin nylon lock nut	88	42811
20	5/16 T-Nut	28	42830
21	Plug	88	45145
22	Capsule	88	45150
23	3/8 -16 x 1-1/4 Button Hd Torx Security Cap Screws Stainless Steel	116	47030
24	Al Corner brace hex. roof (J3)(120deg.)	8	135040
25	Al Corner brace hex. roof (J3)(780g.)	8	135046
26	1/2 * 15 * 26-7/16 Dual-colour panel (villa plate table)	1	336057
27	1/2 * 46-11/16 * 37 Dual-colour plastic (Wall with fishes)	1	336633
28	1/2 * 46-5/8 * 37 Dual-colour plastic (Door with hat)	1	336636
29	1/2 * 20-11/16 * 11-7/8 Dual-colour plastic (Ice cream counter)	1	336637
30	1/2 * 51 * 46-1/2 Dual-colour panel (Vila roof)	2	337389
31	1/2 * 60-7/8 * 37 Dual-colour plastic (Ice cream wall)	1	337438



ASSEMBLY PLAN

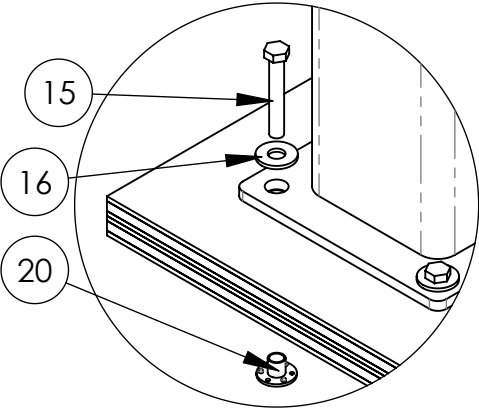
Beach Villa

CSA+ASTM

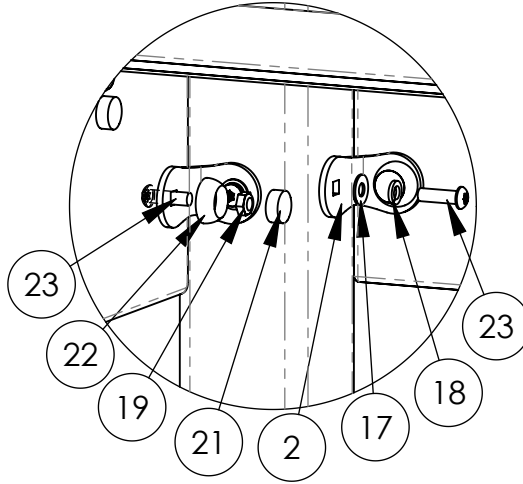
07/06/2023

MC

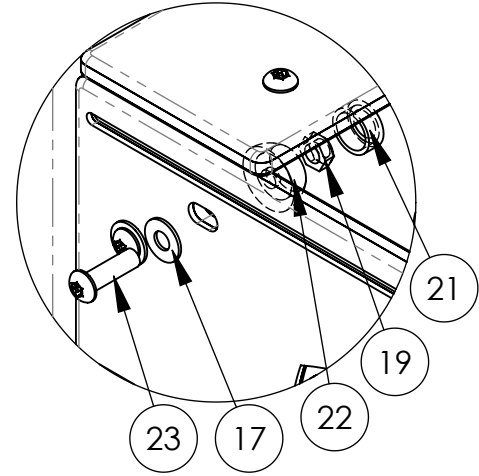
A



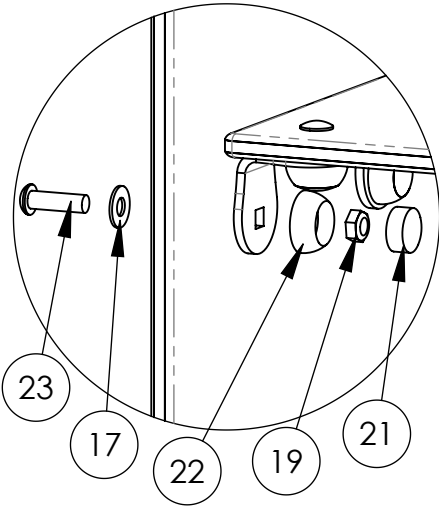
B



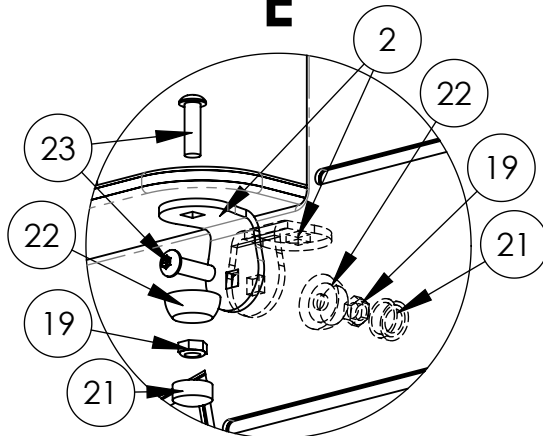
C



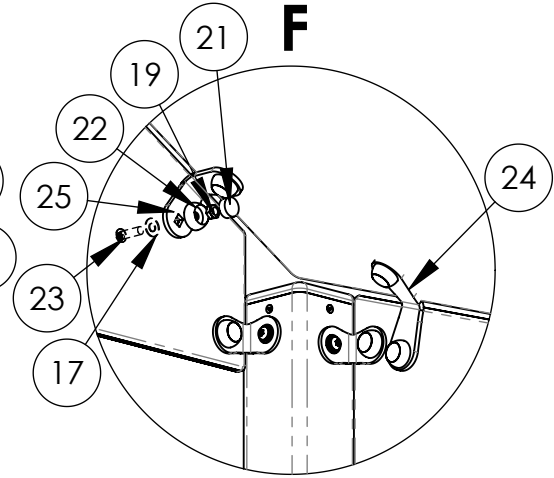
D



E



F



G

