

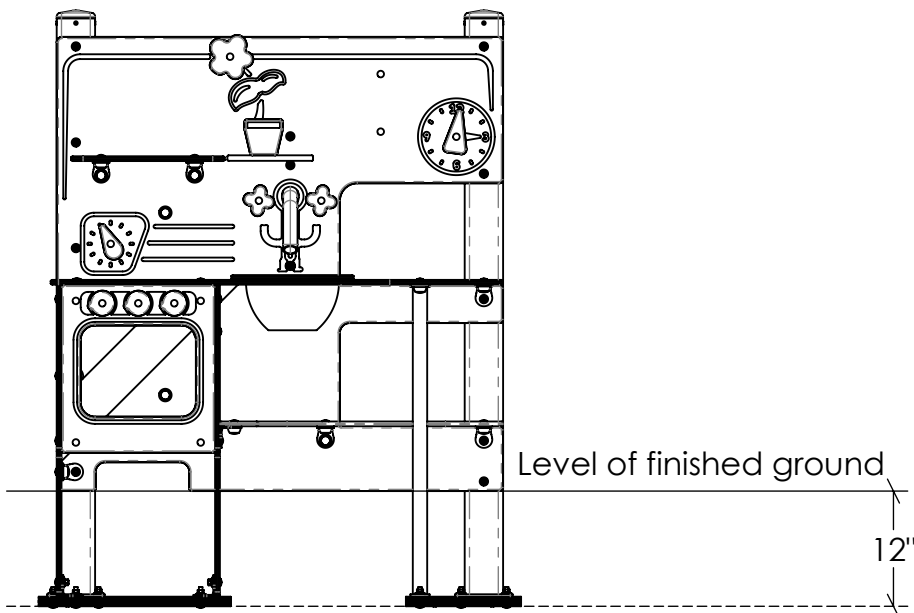
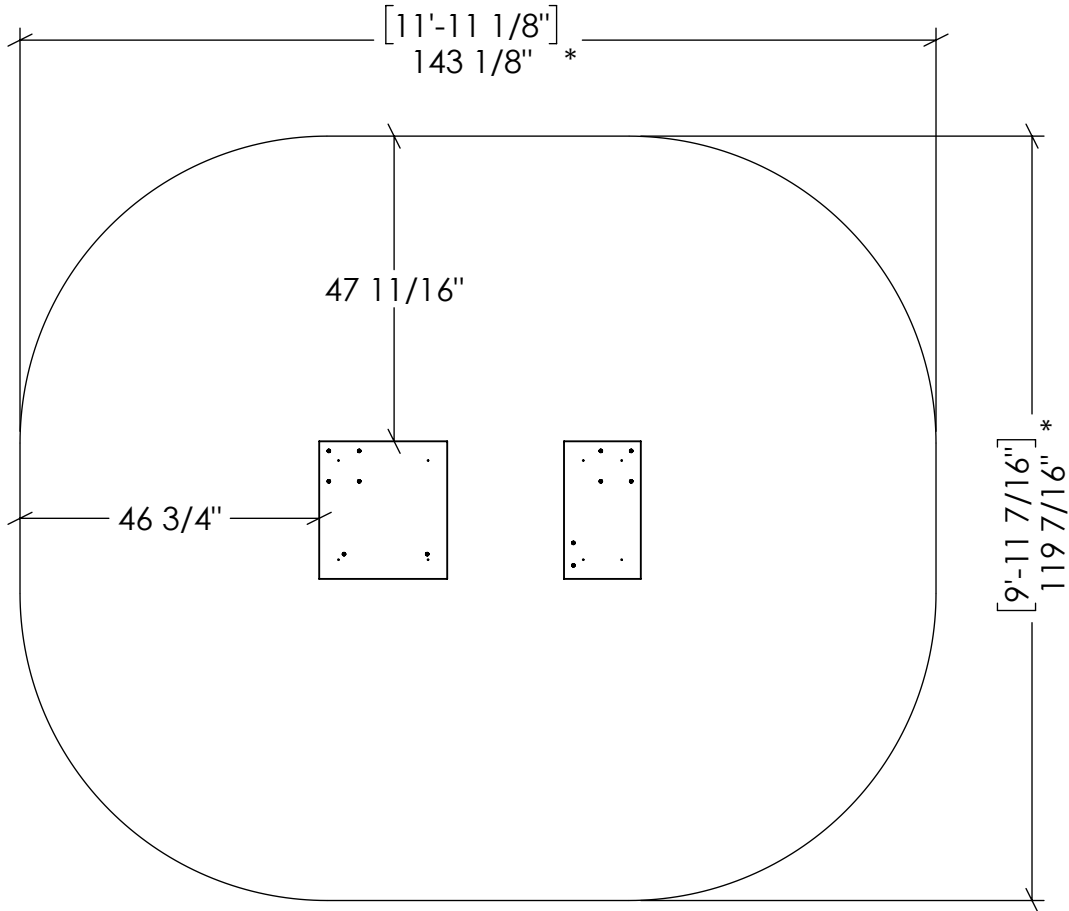
ASSEMBLY PLAN

27/02/2020

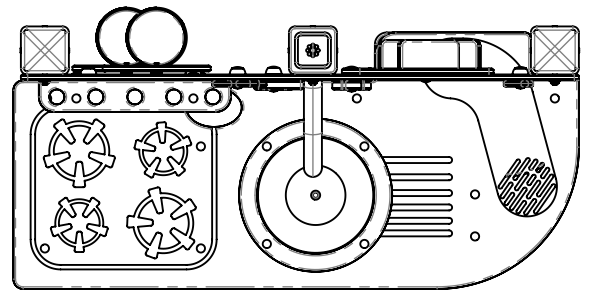
DL

The Kitchenette

CSA - ASTM



Plan view of the product:



*Although this product does not require protective surfacing, it is recommended to provide sufficient space. See clause 14.10.1 of CAN/CSA-Z614 standard and clause 9.8.1 of ASTM F1487 standard.

ASSEMBLY PLAN

The Kitchenette

CSA - ASTM

27/02/2020

DL

Item	Description	Qty.	Number
1	The Kitchenette	1	*34361
2	5/16*1-1/2 Stainless steel carr.bolt	4	40091
3	5/16 st/st nylon lock nut	4	42771
4	Plug	4	45145
5	Capsule	4	45150
6	Rubber Grommet (Ø19/32" hole)(3/64" thickness)	1	60007
7	Mixing bowl 4.7L (29 cm) Stainless steel	1	60740
8	1/2 * Ø14 Dual-colour panel (kitchenette bowl support)	1	336299

If you desire to fix the bowl:

