



TXDi-710F,910F



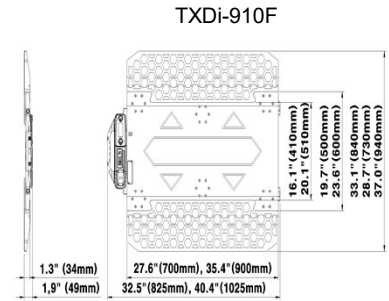
TXDi-505F



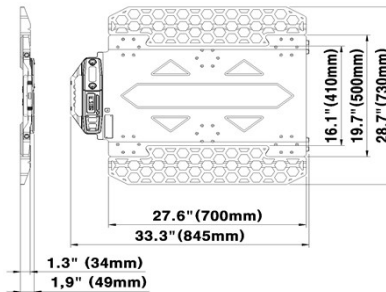
TXI-500F



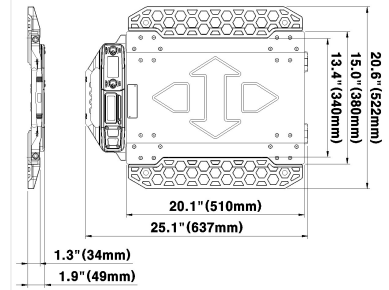
Battery(18650)



TXDi-910F



TXDi-705F,710F

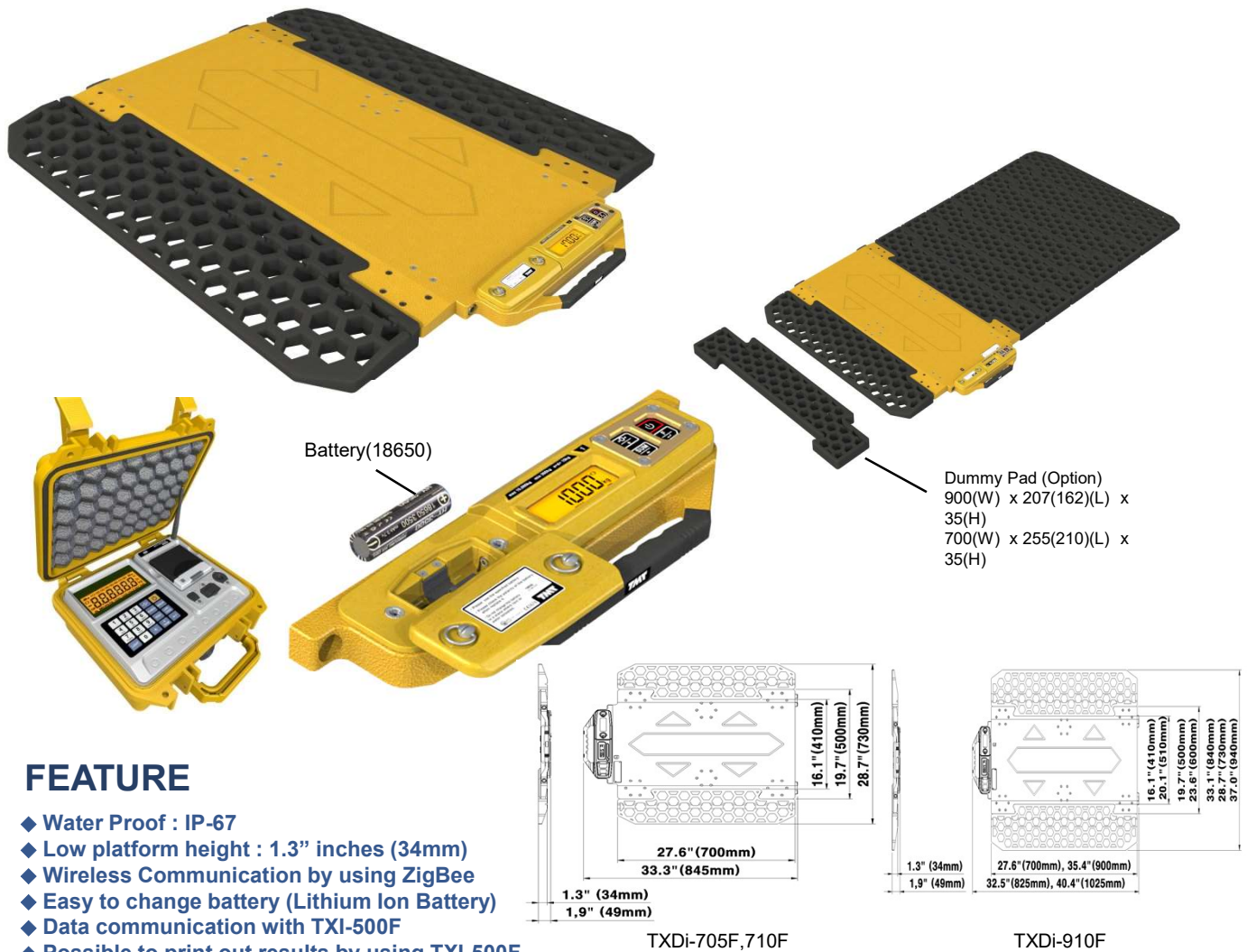


TXDi-505F

FEATURE

- ◆ Water Proof : IP-67
- ◆ Low platform height : 1.3" inches (34mm)
- ◆ Wireless Communication by using ZigBee
- ◆ Easy to change battery (Lithium Ion Battery)
- ◆ Data communication with TXI-500F
- ◆ Possible to print out results by using TXI-500F

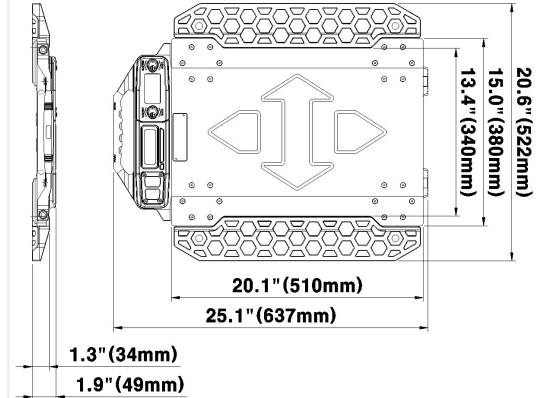
MODEL	TXDi-505F	TXDi-705F	TXDi-710F	TXDi-910F
Capacity	10,000 lb / 4,540 kg	10,000 lb / 4,540 kg	20,000 lb / 9,080 kg	20,000 lb / 9,080 kg
Division	50 lb / 20 kg	50 lb / 20 kg	50 lb / 20 kg	50 lb / 20 kg
Product dimensions (W x L x H)	25.1 x 20.6 x 1.9 (inch) (637 x 522 x 49 (mm))	33.3 x 28.7 x 1.9 (inch) (845 x 730 x 49 (mm))	40.4 x 33.1 x 1.3 (inch) (1025 x 840 x 49 (mm))	40.4 x 33.1 x 1.3 (inch) (1025 x 840 x 49 (mm))
Platform dimensions (W x L x H)	20.1 x 15 x 1.3 (inch) (510 x 380 x 34 (mm))	27.6 x 19.7 x 1.3 (inch) (700 x 500 x 34 (mm))	35.4 x 19.7 x 1.3 (inch) (900 x 500 x 34 (mm))	35.4 x 19.7 x 1.3 (inch) (900 x 500 x 34 (mm))
Product weight	34.6 lb (15.7 kg)	50.3 lb (22.8 kg)	60.2 lb (27.3 kg)	60.2 lb (27.3 kg)
Ramp weight		3.5 lb (1.6 kg) x 2PCS	6.4 lb (2.9 kg) x 2PCS	6.4 lb (2.9 kg) x 2PCS
Accuracy	± 1% of Reading (NTEP class IIII)			
Safety Overload	150% of capacity			
Power	3.7V Lithium Ion Battery (18650)			
Operating time	Approx. 60hr			
Key	ON/OFF , ZERO , SUM , back light			
Display	6 digit LCD (height : 0.6inches (15mm)) , Back light			
Parts	Rechargeable adaptor , Lithium ion battery , battery charger			
Temperature range	14°F ~ 104°F (-10°C ~ 40°C)			



FEATURE

- ◆ Water Proof : IP-67
- ◆ Low platform height : 1.3" inches (34mm)
- ◆ Wireless Communication by using ZigBee
- ◆ Easy to change battery (Lithium Ion Battery)
- ◆ Data communication with TXI-500F
- ◆ Possible to print out results by using TXI-500F

MODEL	TXDi-710F	TXDi-715F	TXDi-910F	TXDi-915F	TXDi-920Fi	TXDi-920FW
Capacity	20,000 lb / 10,000 kg	30,000 lb / 15,000 kg	20,000 lb / 10,000 kg	30,000 lb / 15,000 kg	40,000 lb / 20,000 kg	40,000 lb / 20,000kg
Division	20 lb / 10 kg	20 lb / 10 kg	20 lb / 10 kg	20 lb / 10 kg	50 lb / 20 kg	50 lb / 20 kg
Product dimensions (W x L x H)	33.3 x 28.7 x 1.9 (inch) (845 x 730 x 49 (mm))		40.4 x 33.1 x 1.9 (inch) (1025 x 840 x 49 (mm))		40.4 x 37 x 1.9 (inch) (1025 x 940 x 49 (mm))	
Platform dimensions (W x L x H)	27.6 x 19.7 x 1.3 (inch) (700 x 500 x 34 (mm))		35.4 x 19.7 x 1.3 (inch) (900 x 500 x 34 (mm))		35.4 x 23.6 x 1.3 (inch) (900 x 600 x 34 (mm))	
Product weight	50.3 lb (22.8 kg)		60.2 lb (27.3 kg)		86.6 lb (39.3 kg)	
Ramp weight	3.5 lb (1.6 kg) x 2PCS		6.4 lb (2.9 kg) x 2PCS			
Accuracy	0.1%					
Safety Overload	150% of capacity					
Power	3.7V Lithium Ion Battery (18650)					
Operating time	Approx. 45hr					
Key	ON/OFF , ZERO , SUM , back light					
Display	6 digit LCD (height : 0.6inches (15mm)) , Back light					
Parts	Rechargeable adaptor , Lithium ion battery , battery charger					
Temperature range	14°F ~ 104°F (-10°C ~ 40°C)					



TXDi-505F

FEATURE

- ◆ Water Proof : IP-67
- ◆ Low platform height : 1.3" inches (34mm)
- ◆ Wireless Communication by using ZigBee
- ◆ Easy to change battery (Lithium Ion Battery)
- ◆ Data communication with TXI-500F
- ◆ Possible to print out results by using TXI-500F

MODEL	TXDi-501F	TXDi-502F	TXDi-505F
Capacity	2,000 lb / 1,000 kg	4,000 lb / 2,000 kg	10,000 lb / 5,000 kg
Division	2 lb / 1 kg	5 lb / 2 kg	10 lb / 5 kg
Accuracy	0.1%		
Product dimensions (W x L x H)	25.1 x 21 x 1.9 (inch) (637 x 532 x 49 (mm))		
Platform dimensions (W x L x H)	20 x 15 x 1.3 (inch) (510 x 380 x 34 (mm))		
Product weight	34.6 lb (15.7kg)		
Operating time	Approximate. 150hr (When using 3500mA battery)		
Power	3.7V Lithium-Ion Battery (18650)		
Key	ON/OFF , ZERO , SUM , back light		
Display	6 digit LCD (height : 0.6inched (15mm)) , Back light		
Parts	Rechargeable adaptor , Lithium ion battery , battery charger		
Temperature range	14°F ~ 104°F (-10°C ~ 40°C)		