

TPS Pallet Jack Scales

Features

- Instant weight readings are available as soon as the forks are raised
- Easy to read 2inch/52mm LargeLCD Display with Backlight
- Battery provide up to 70 hours of continuous use(without backlight)
- Standard RS-232 interface can beconnected to Computer or Printer
- Internal battery and AC adapter included
- Weighing in Pounds,Kilograms(Unit conversion)
- Application Mode: Weighing,Counting,Check Weighing,Accumulation
- Easy access junction box
- Rugged construction for long life



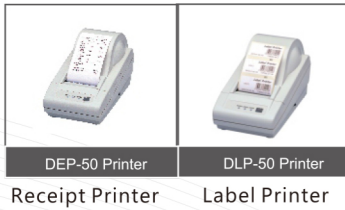
General Specifications

- | | |
|-----------------|---|
| • Display | 2inch/52mm Digit LCD display,with whiteLED backlight |
| • Capacities | 5000lb,2000kg |
| • Keyboard | 7keys(Mechanical switch) |
| • Housing | Mild Steel |
| • Max.Divisions | 5,000e |
| • Operate Temp | 32°F~104°F(0°C~+40°C) |
| • Power | AC adapter(12V/500mA),built-in rechargeable battery(6V/4Ah) |

TPS Pallet Jack Scale

Model Name	Capacity	Readability	Division	Approx. weight	Approval
TPS-5000	5000lb / 2000kg	1lb / 0.5kg	5,000d	323lb / 160kg	CE

Options



Print Formats

```

-----
1  1.100 lb
2  1.100 lb
3  1.105 lb
4  1.100 lb
5  1.100 lb
6  1.100 lb
-----
TOTAL : 6.605 lb
COUNT : 6
-----
    
```

```

Gross : 0.500 lb
Tare  : 0.000 lb
Net   : 0.500 lb

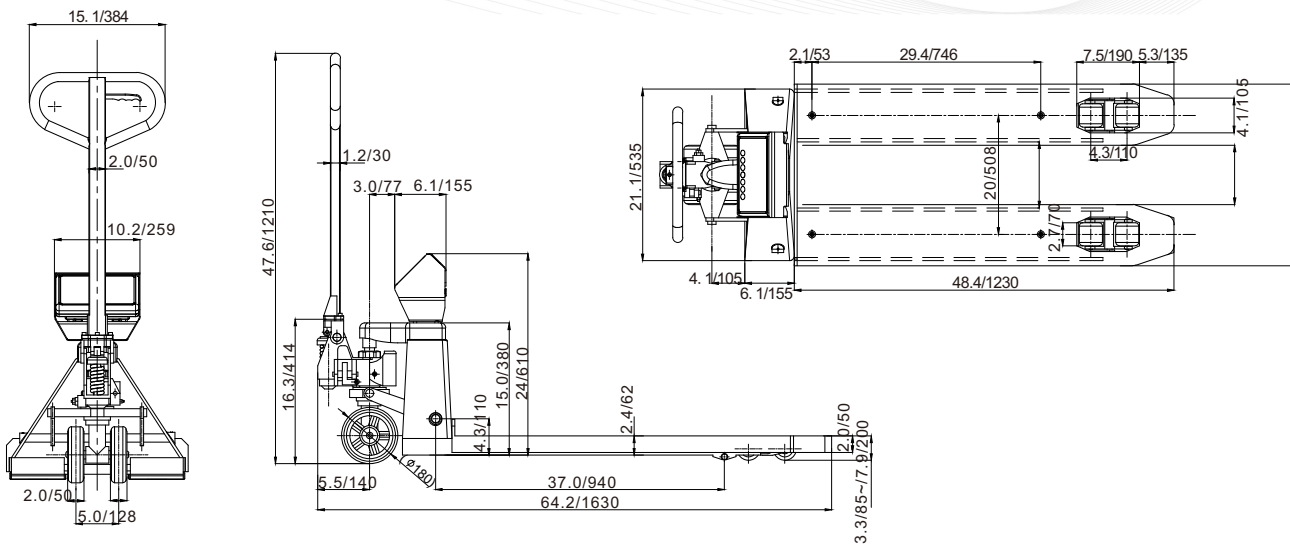
Gross : 0.106 lb
Tare  : 0.000 lb
Net   : 0.106 lb

Gross : 0.606 lb
Tare  : 0.106 lb
Net   : 0.500 lb

-----
TOTAL : 1.106 lb
-----
    
```

THANK YOU
Weight: 1.745lb

Dimensions(inch/mm)



Distributed by