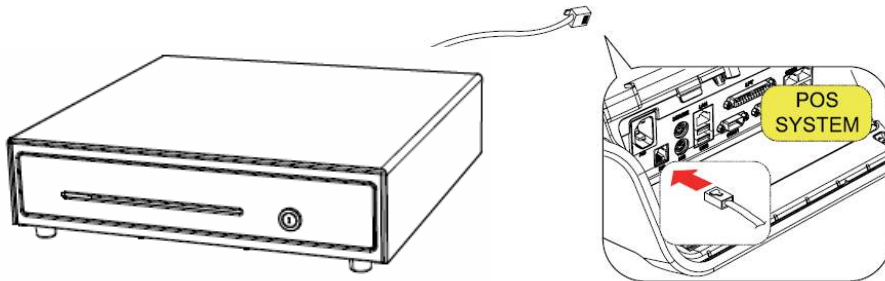


S41SBU / S41PBU Quick Start Guide

Thank you for purchasing our product.
It is Cash-Drawer to be able to connect to POS(Point of Sale).
Before using, read this manual to use correctly and easily.

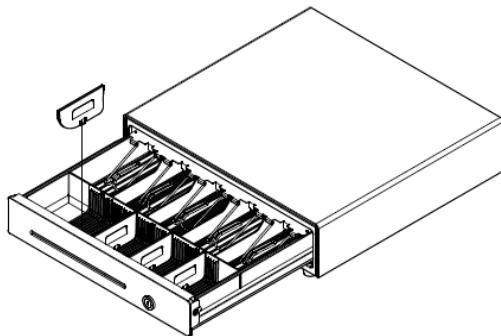
Cable Installation (S41SBU only)

1. Insert the cable(RJ-11) into the POS.
2. Make sure the Drawer is operated normally.



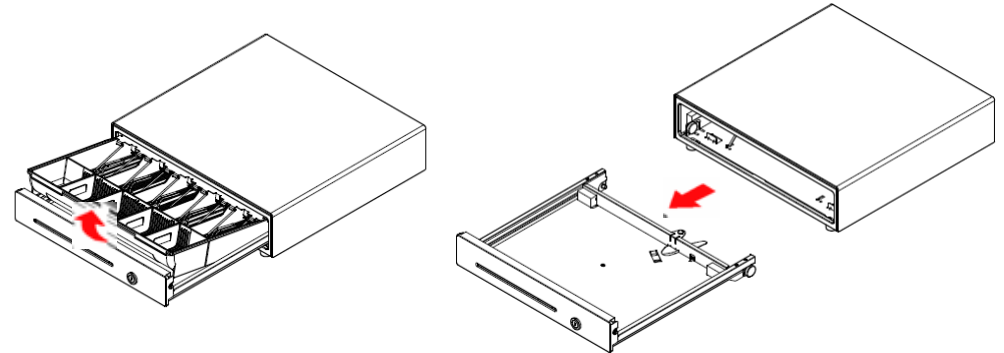
Coin Partition Installation

The Coin Part of the Bill Coin Till can be adjusted as a demand from as user.
To separate the Coin Partition, the user can remove it by pulling upwards and vice versa to replace it.
Make sure it locks firmly after inserting the Coin Partition.



Bill Coin Tray Disassembly

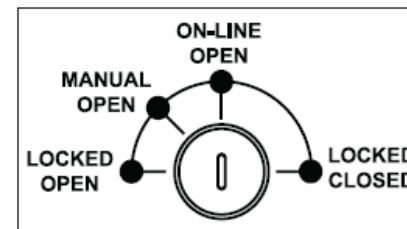
1. Put the Drawer Key to the Key Hole.
2. Rotate the Drawer Key in the direction of MANUAL OPEN to open.
3. Lift up the BILL COIN ASS'Y from the Drawer in the arrow direction and remove it.
4. Pull out and remove the TRAY ASS'Y from the Drawer.



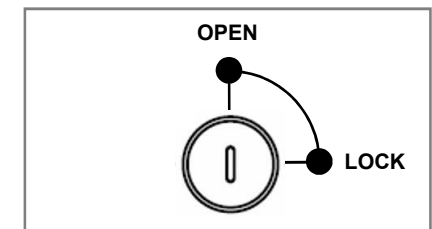
Lock Functions

KEY LOCK has 4 functions.

1. LOCKED OPEN : Always Open
2. MANUAL OPEN : Open by using Key Drawer.
3. ON-LINE OPEN : Open by electric signal from POS
4. LOCKED CLOSED : Always Locked



[S41SBU]



[S41PBU]

[NOTICE]

If you rotate the Drawer Key in reverse direction or Press the side of the Drawer Key by applying excessive force it could damage the drawer and its mechanism.
Likewise, you could injure yourself.
Don't leave it for a long time after inserting the Drawer Key to the Key Hole.
The Drawer Key might get lost and someone could get injured by the Key sticks outside.